

KUMATSUGEN[®]

GENERATING POWER



GP7000MP
012283

GP8000MA
003809

GP8000MAT
008347

GP10000MAT
053293

GP14000MAT
053309

EN FR

IT EL

BG SL

RO

v2.2



WWW.NIKOLAOUTOOLS.GR



Technical Data of Diesel Generators / Τεχνικά Δεδομένα Πετρελαιογεννητριών				
Model	Μοντέλο	GP7000MP	GP8000MA	GP8000MAT
Nominal Voltage & Frequency	Ονομαστική τάση & Συχνότητα	230 V - 50 Hz	230 V - 50 Hz	230 V/ 400 AC - 50 Hz
Nominal power output (kW)	Ονομαστική ισχύς	6,2 kVA	6,2 kVA	6,2 kVA
Maximum Power (kW)	Μέγιστη ισχύς (kW)	6,6 kVA	6,6 kVA	6,6 kVA
DC Voltage (Volt)	Τάση DC (Volt)	12	12	12
Voltage Regulation	Ρύθμισης Τάσης	AVR	AVR	AVR
Engine Type	Τύπος Κινητήρα	4 stroke, air-cooled 4χρονος, αερόψυκτος	4 stroke, air-cooled 4χρονος, αερόψυκτος	4 stroke, air-cooled 4χρονος, αερόψυκτος
Displacement (cc)	Κυβικά (cc)	418	418	418
Horsepower (hP)	Ιπποδύναμη (hP)	10,5	10,5	10,5
Cooling system	Σύστημα Ψύξης	Air Cooled Engine Αερόψυκτος Κινητήρας	Air Cooled Engine Αερόψυκτος Κινητήρας	Air Cooled Engine Αερόψυκτος Κινητήρας
Oil tank capacity (lt)	Χωρητικότητα δεξαμενής λαδιού (lt)	1,65	1,65	1,65
Fuel	Καύσιμο	Diesel Oil / Πετρέλαιο Diesel	Diesel Oil / Πετρέλαιο Diesel	Diesel Oil / Πετρέλαιο Diesel
Fuel tank capacity (lt)	Χωρητικότητα δεξαμενής καυσίμου (lt)	12,5	16	16
Noise at 7 meters distance (db(A))	Θόρυβος (στα 7 μέτρα) (db(A))	≤ 82	≤ 82	≤ 82
Dimensions (L x P x A) (mm)	Διαστάσεις (L x W x H) (mm)	800 x 520 x 600	880 x 550 x 720	880 x 550 x 720
Weight (kg)	Βάρος (kg)	110	150	159
Sockets	Πρίζες	2 x 16 A, 1 x 12 V DC	2 x 16 A, 1 x 12 V DC	1x16A 230 V, 1x16 400 V, 1x12 V DC
Other characteristics	Άλλα χαρακτηριστικά	with starter, batter/μίζα, μπαταρία	closed type/κλειστού τύπου	Closed type, three phase/ κλειστού τύπου τριφασική

Model	Μοντέλο	GP10000MAT	GP14000MAT
Nominal Voltage & Frequency	Ονομαστική τάση & Συχνότητα	230 / 400 AC - 50 Hz	230 V/ 400 AC - 50 Hz
Nominal power output (kW)	Ονομαστική ισχύς	8,5 kVA	13 kVA
Maximum Power (kW)	Μέγιστη ισχύς (kW)	9 kVA	14 kVA
DC Voltage (Volt)	Τάση DC (Volt)	12	12
Voltage Regulation	Ρύθμισης Τάσης	AVR	AVR
Engine Type	Τύπος Κινητήρα	4 stroke, air-cooled 4χρονος, αερόψυκτος	4 stroke, air-cooled 4χρονος, αερόψυκτος
Displacement (cc)	Κυβικά (cc)	499	954
Horsepower (hP)	Ιπποδύναμη (hP)	9	20
Cooling system	Σύστημα Ψύξης	Air Cooled Engine Αερόψυκτος Κινητήρας	Air Cooled Engine Αερόψυκτος Κινητήρας
Oil tank capacity (lt)	Χωρητικότητα δεξαμενής λαδιού (lt)	1,65	3
Fuel	Καύσιμο	Diesel Oil / Πετρέλαιο Diesel	Diesel Oil / Πετρέλαιο Diesel
Fuel tank capacity (lt)	Χωρητικότητα δεξαμενής καυσίμου (lt)	25	60
Noise at 7 meters distance (db(A))	Θόρυβος (στα 7 μέτρα) (db(A))	≤ 71	≤ 69
Dimensions (L x P x A) (mm)	Διαστάσεις (L x W x H) (mm)	960 x 560 x 710	1160 x 670 x 940
Weight (kg)	Βάρος (kg)	170	300
Sockets	Πρίζες	1 x 16 A 230 V, 1 x 16 400 V, 1 X 12 V DC	1 x 16 A 230 V, 1 x 16 400 V DC, 1x12 V DC
Other characteristics	Άλλα χαρακτηριστικά	Closed type, three phase/ κλειστού τύπου τριφασική	Closed type, three phase/ κλειστού τύπου τριφασική

Safety Precautions

1. Kids should be kept in safe distance to generator. 2. Don't touch the engine and muffler while generator is working or just be turned down to avoid empyrosis. Please pay attention to warning sticker on generator. 3. Electrical equipment (including cable and plug connecting component) should be in good condition before starting. 4. New circuit breaker must be under same level performance, characteristic and parameters with the former for replacement. 5. Due to high mechanical stress, only rubber sheath cables or parity products are allowed to be used. 6. When using extension wire or mobile distribution cabinets, wire with 1.5 square millimetre cross section should not be longer than 60 metres; for 2.5 millimetre cross section, wire should not be longer than 100 metres. 7. With the engine of manual starting, the danger of change rotating direction suddenly should be prevented. 8. On standard working condition of circumstance, the generator could only load on rated output. If the working condition of circumstance is not standard, the generator should be run at lower output. When temperature, altitude and humidity is higher than standard working condition of circumstance, the generator would reduce the output. 9. Before checking and maintenance of generator, the engine must be stopped. To disassemble the spark plug and key starting to make sure the engine would not be started improperly. Then check and maintain the generator on the scheduled calendar of repair. 10. Except the daily maintenance and cleaning, the checking and readjustment should be conducted by authorized professional person and source the requested components by them (contact with local dealers). 11. The new or just overhauled machine must endure the breaking-in period of 30 hours at least, the output should not exceed 75% of rated output.

Introduction

This series of diesel generators adopts a super-light type, air cooled, 4-stroke direct injection diesel engine and has two starting ways as an option (open frame type), that is, recoil starting (manually) & electric starting and electric starting only for the silent type. They are equipped with a large capacity fuel tank, circuit protector, AC & DC double voltage output device, low oil pressure alarm and automatic stop device.

The diesel generators serve as a stand-by power supply. This manual describes how to operate, maintain and service these diesel generators. Please read and fully understand these instructions before using the diesel generator set in order to ensure proper handling and operation.

Follow the instructions carefully in order to keep your diesel generator set in the best running condition, which at the same time will prolong the service life of the diesel generator. Should you have any further questions concerning this manual, or any suggestions, please contact our dealer or the authorized service department of our company directly.

Diesel generator series appearance



Open frame type



Closed, Silent type

Basic Parameters

The genset can generate the rated output power under the following conditions:

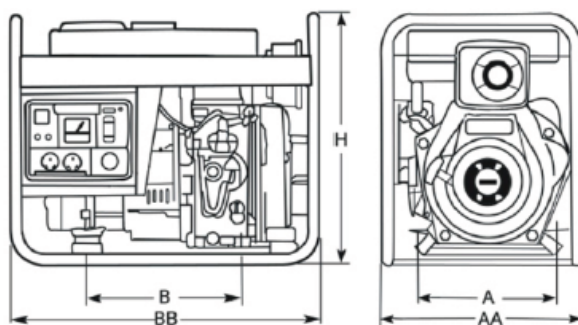
Altitude (m)	Ambient temperature (°C)	Relative humidity
0	+20	60%

The genset can generate the specified output and work reliably under the following conditions:

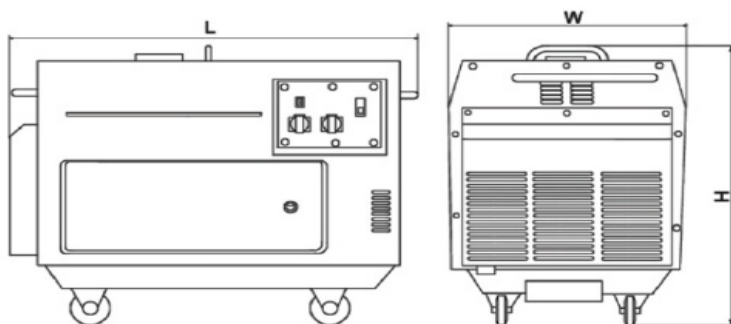
Altitude (m)	Ambient temperature (°C)	Relative humidity
< 1000 (m)	5 - 40	90%

Outline and installation dimensions

- Outline and installation dimensions of diesel generator (open frame type)

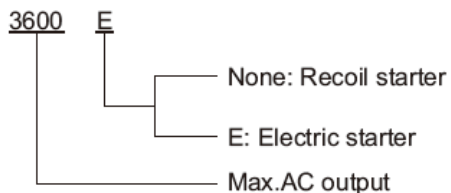


- Outline and installation dimensions of diesel generator (silent type)

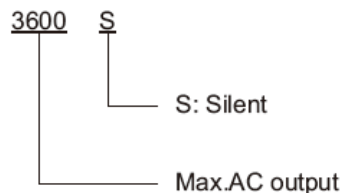


- Type and Code of diesel generator

Open frame type



Silent type



Operation of the diesel-generator (gen-set)

Please read and understand this operation manual to insure safe operation, and pay high attention to the following main points of operation otherwise personal injury and damage to equipment may take place.

Preventing fires

The fuel of diesel engine is light diesel fuel, so gasoline, kerosene etc. must not be used. Wipe away all fuel spills with a clean cloth. Keep gasoline, kerosene, matches and other explosives and inflammables away from the generator, because the temperature around the exhaust muffler is very high during operation. To prevent fire hazards and to provide adequate ventilation, keep the generator at least 1.5 meter away from buildings and other equipment during operation. Operate the generator on a level surface, there may be fuel spillage if the generator is tilted.

Preventing exhaust gas inhalation

Exhaust gas contains poisonous carbon monoxide. Never use the generator in poorly ventilated locations. If indoor operation is unavoidable, provide proper ventilation so that people and cattle will not be affected.

Preventing burns

Never touch the muffler, or the muffler cover while the engine is running or hot.

Electric shocks, short circuits

In order to avoid electric shocks or short circuit, do not touch the generator, when either it or your hands are wet. This generator is not waterproof, so it should not be used in a place exposed to rain, snow or water sprays.

Caution: Most appliance motors require more than their rated wattage for start up. Do not exceeded the current limit specified for any one socket.

The generator should be grounded to prevent electric shock. Please connect a length of heavy wire between the generator's ground terminal and an external ground device. Please see the following figures.

Do not connect other equipment to the generator before starting it.

Other safe main points

Know how to stop the generator quickly, and understand how operate all of the controls. Never permit anyone to operate the generator without proper instruction. Always wear a helmet and safety shoes and proper clothes, keep pets and children away from the generator when it is in operation.

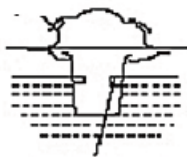


Charging the battery

Battery electrolyte contains sulphuric acid. Protect your eyes, skin and clothing. In case of contact, flush thoroughly with water and get prompt attention, especially if your eyes are affected. Batteries generate hydrogen gas, which can flames or sparks near a battery, especially during charging. Charge the battery in a fully ventilated pl. When a peripheral device uses a flywheel generator power, do not disconnect the battery connections from the engine, or it may give the peripheral damage.

Preparation before start / Selection and handling of fuel

Fuel tank: only light diesel fuel can be used. The fuel must be filtered. Fuel should be free of water or dust because these cause trouble in the fuel injection pump nozzle.



Caution: Do not overfill the tank beyond the top of the red plug inside the fuel tank filter.

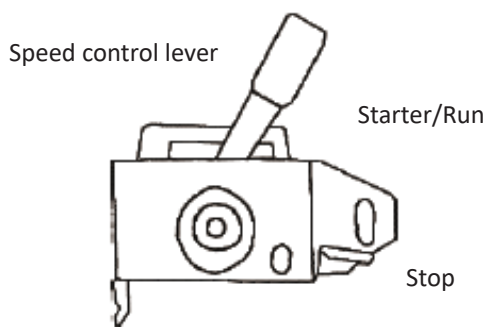
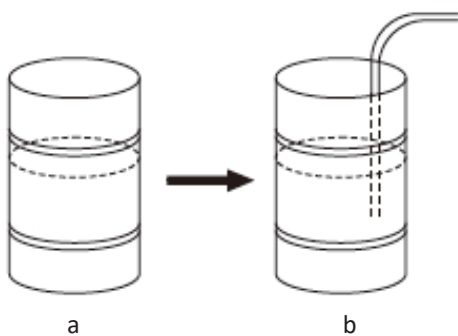
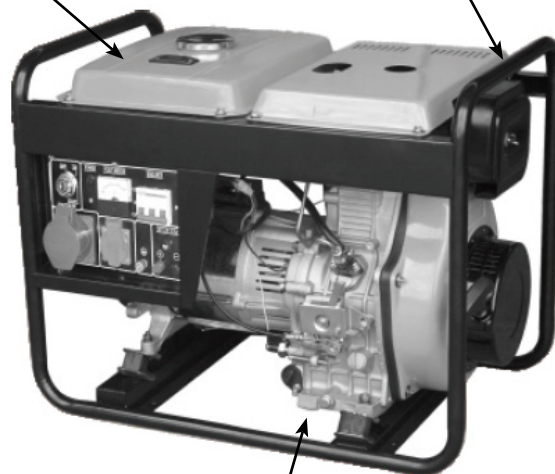
Air cleaner element:

Don't wash the air cleaner element with detergent. Replace the element when its output decreases or a bad exhaust color is noticed.

Caution:

- Don't smoke and allow sparks in the area where the engine is refueled or where gasoline is stored.
- Don't spill fuel when refuelling, make sure the filter cap is securely closed.

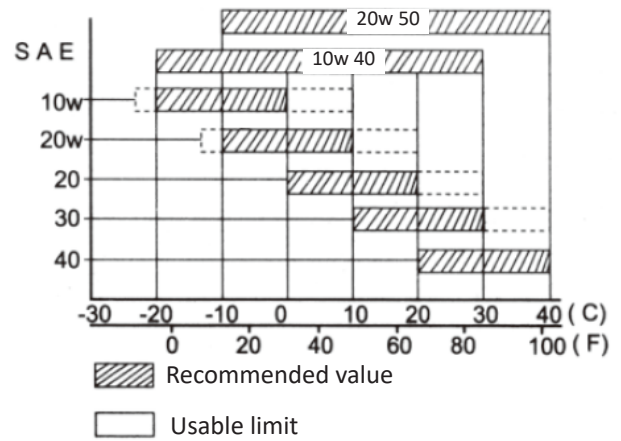
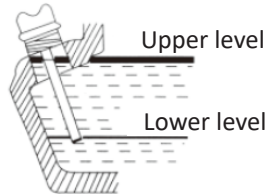
- a. After purchasing fuel allow drum to stand 3-4 days.
- b. After 3-4 days: Put a suction pipe halfway into the drum. (Water and dust accumulate in the lower portion of the drum.)



Selection and handling of lube oil

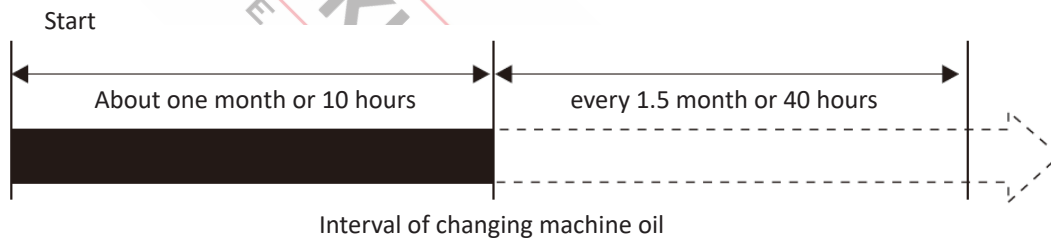
Inlet of lubricant:

Set the generator on the level, fill the engine oil into the inlet of lubricant. To check the oil level, simply dip the dipstick into the pan. Do not screw the dipstick.



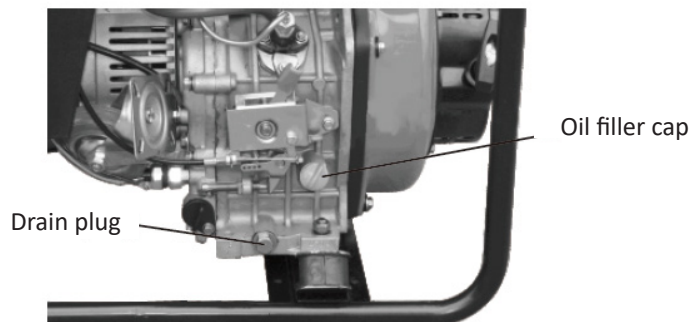
A.P.I. Maintenance classification for the diesel engine. We recommend A.P.I. CC or CD.

Nothing affects the performance and durability of generator more than the lube oil you use. If inferior oil is used or if your engine oil is not changed regularly, the risk of piston seizure, piston ring sticking and accelerated wear of the cylinder liner, bearing and other moving components increases significantly. Your generator's life may be seriously shortened.



Make sure to check the oil level and to refill with oil to the specified level before starting the generator, even though it is equipped with a low oil pressure warning system. Be sure to drain the oil while the engine is warm. It is difficult to drain the oil completely after cooling.

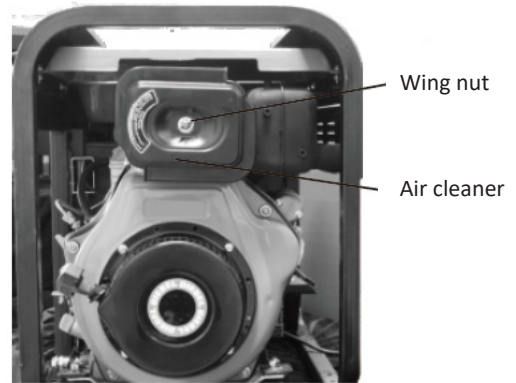
Caution: Do not add oil into the machine when the engine is running.



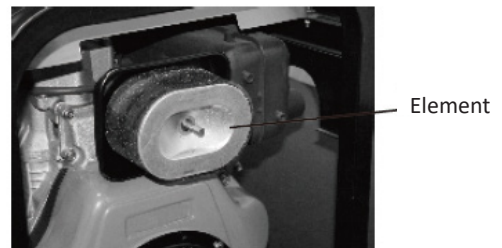
Check air cleaner element

(1) Loosen the wing nut, detach the cover of air cleaner and remove the element. Do not wash air cleaner element with detergent .

The air cleaner element must be changed when the output of engine decreases or the color of exhaust is abnormal.



Never run the generator without the air cleaner element. This may cause rapid engine wear.

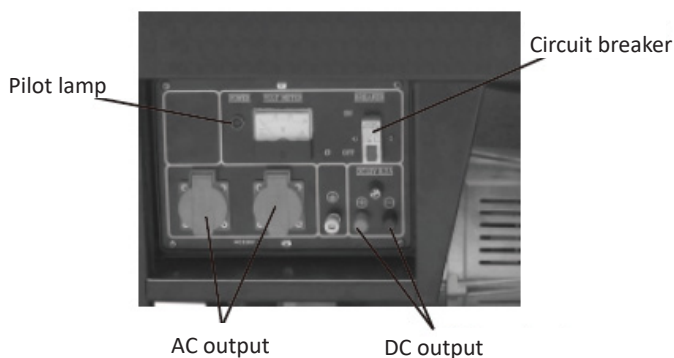


(2) Reattach the cover of air cleaner and tighten the wing nut.

Turn off the main switch and any other loads (Such as the light and motor switches)

**Check Generator**

Turn off the main switch and any other loads (Such as the light and motor switches)



Be sure to turn off the main switch before starting the generator. If the switch is not on the "off" position, sudden application of load could be very dangerous, when the diesel engine is started. The generator should be earthed to prevent electric shocks.



Handling of dual voltage type generator

Operation of change over switch.

The circuit breaker on the control box must be used when application AC power, the air switch must be set at "OFF" position before run the machine. After start the genset, the speed reach rated speed so turn the switch at "ON" position, so that the two sockets can be used for output of rated voltage.

Set the main switch at "OFF" position when use 12 V power for charge.

The terminal of 12V output can be used for 12V voltage charge, user can provide a charge switch for switch on or switch off.

Fuel & engine oil already drained off before exit from factory

To check oil pipeline, and find whether there is air mixed into the pipeline, if yes, drain away the air from the pipeline before refuel and start the diesel engine. The actual method is that, loosen the connection nut between injecting pump and pipeline and then drain off the air until no air bubble from the fuel.

Inspection and operation of diesel engine

Low oil warning system/stop device.

The device works to stop the engine automatically when the oil pressure falls below the regulatory level and to prevent engine seizure when lube oil is running short.

The oil temperature will rise too high if the engine is operated with insufficient lubrication oil. On the other hand , too much oil is dangerous because the oil may combust and cause a sudden and excessive rise in engine rpm, so before operating the machine, be sure to check the oil and supply oil to the specified level.

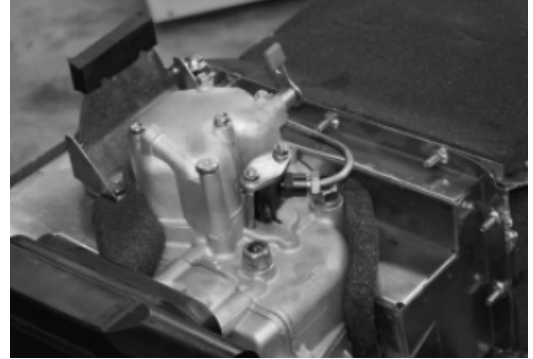
How to open the cabinet door and cover (diesel generator)

(1) Opening the cabinet door and raise the door and check daily.



(2) Loosen the bolt & open the cover to check the air cleaner.

(3) Checking the outside cover of nozzle, loosen the thumb nut and open the cover.



Break-in operation

While your generator is still new, application of heavy loads may shorten the life of the engine. Follow the break-in procedures during the first 20 hours.

- (1) Avoid applying any heavy load during the break-in period.
- (2) Change engine oil regularly.

Change the engine oil every 10 hours or one month after the initial use, and every 1,5 month or 40 hours thereafter.

Starting the generator

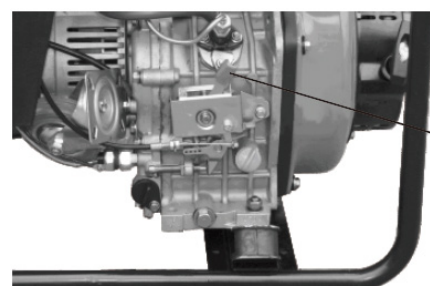
Recoil starting (manual start)

The engine is started in the manner described below.

1. Open the fuel cock (at the "ON" position).
2. Put the engine speed lever in the position). "RUN" position.
3. Pull out the recoil starting handle.



1. Pull out the handle to the point where your hands feel strong resistant and then return it to the initial position.



engine speed lever

2. Push down the decompression lever. (It will return automatically when the recoil starter is pulled)

3. Pull out the recoil starting handle briskly with both hands.

Do not allow the handle grip to snap back against the engine. Return it gently to prevent damage to the starter, when starting (or after start).

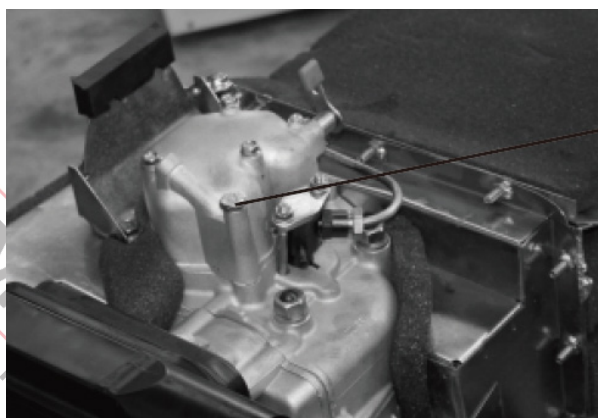
CAUTION ! Never pull out the start handle when diesel engine is running, otherwise it will damage the engine.



decompression lever

4. In cold weather, when diesel engine is difficult to start, remove the plug from the rocker arm cover and add 2 cc of engine oil. Replace the plug before starting.

Keep the plug in the cover except when adding oil, otherwise rain, dirt and other contaminants may enter the engine and cause accelerated wear of internal parts. This can cause serious problems.



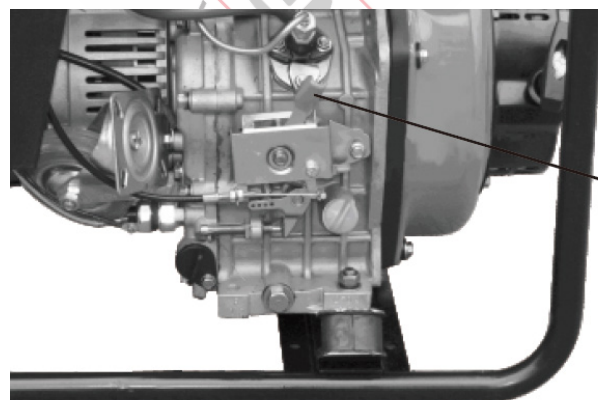
plug

Electric starting

1. Starting (The preparation for electric starting is same as recoil start).

- (1) Open the fuel cock.
- (2) Let the engine speed lever at "RUN" position.
- (3) Turn the starting key at clockwise to "Start" position.
- (4) Remove your hand from the key as soon as the engine starts and let the key return automatically to initial position.
- (5) If the motor doesn't start after 10 seconds, please wait for about 15 seconds before attempting to start again.

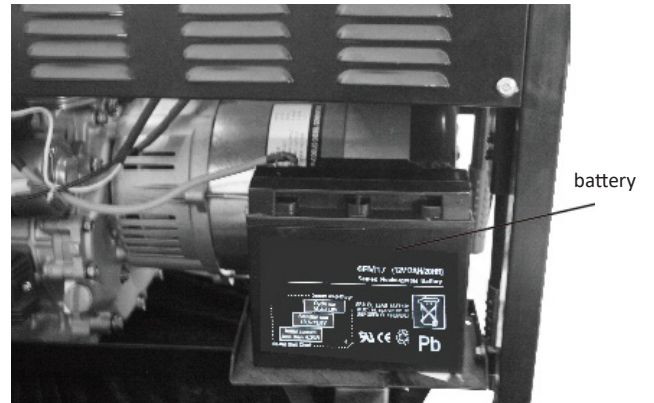
Caution: If starting the motor takes too long, the battery will face faults. Always leave the starting key turned on, in the "ON" position, while the engine is running.



engine speed lever

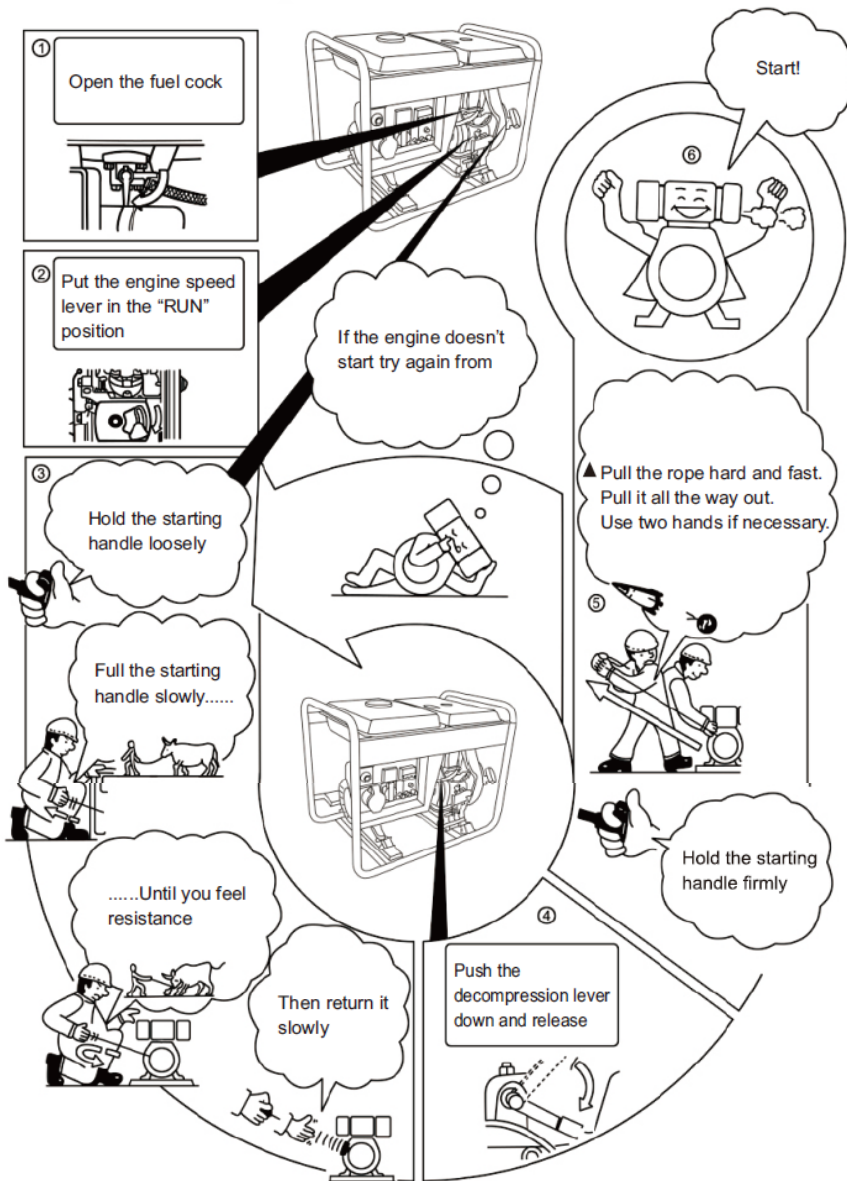
Battery

Check the condition of the fluid in the battery once every month according to the colour that appears externally: 1. Green colour, battery OK 2. White colour, the battery needs to be charged, 3. Black colour : the battery needs to be replaced.



Starting sequence of the generator

This starting sequence is only suitable for open frame type diesel generator recoil start.





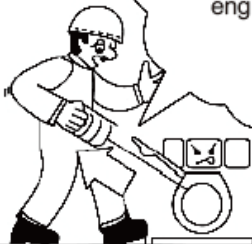
For 3, don't pull the rope too fast or hard



Always pull the rope slowly



For 5, if you don't pull the rope all the way out, the engine won't start



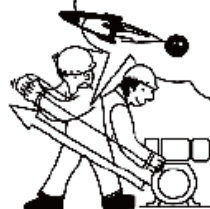
For 5, if you don't pull hard enough, the engine won't start



Always pull the rope all the way out



Always pull the rope hard and fast



How to correctly operate the generator

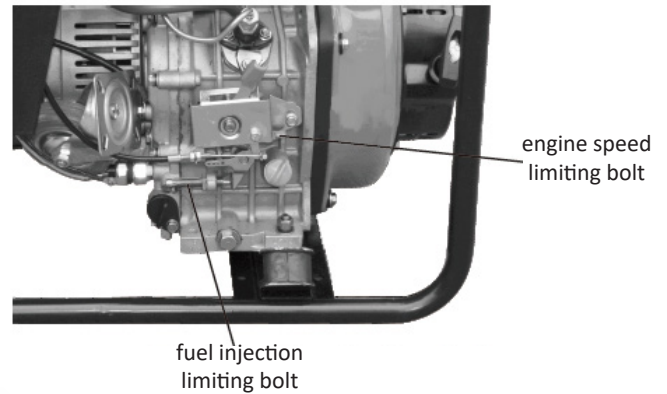
Operating your generator

- (1) Warm up the engine without load for about 3 minutes.
- (2) The generator is equipped with low oil warning system. The engine will stop automatically in case of low oil pressure or a lubrication oil shortage. The engine will stop immediately if restarted without a lubrication oil refill. To check the oil level and refill.
- (3) Do not loosen or readjust either the engine speed limiting bolt or fuel injection limiting bolt (They had been already well adjusted before ex-factory) otherwise, performance may be affected.

Check during operation:

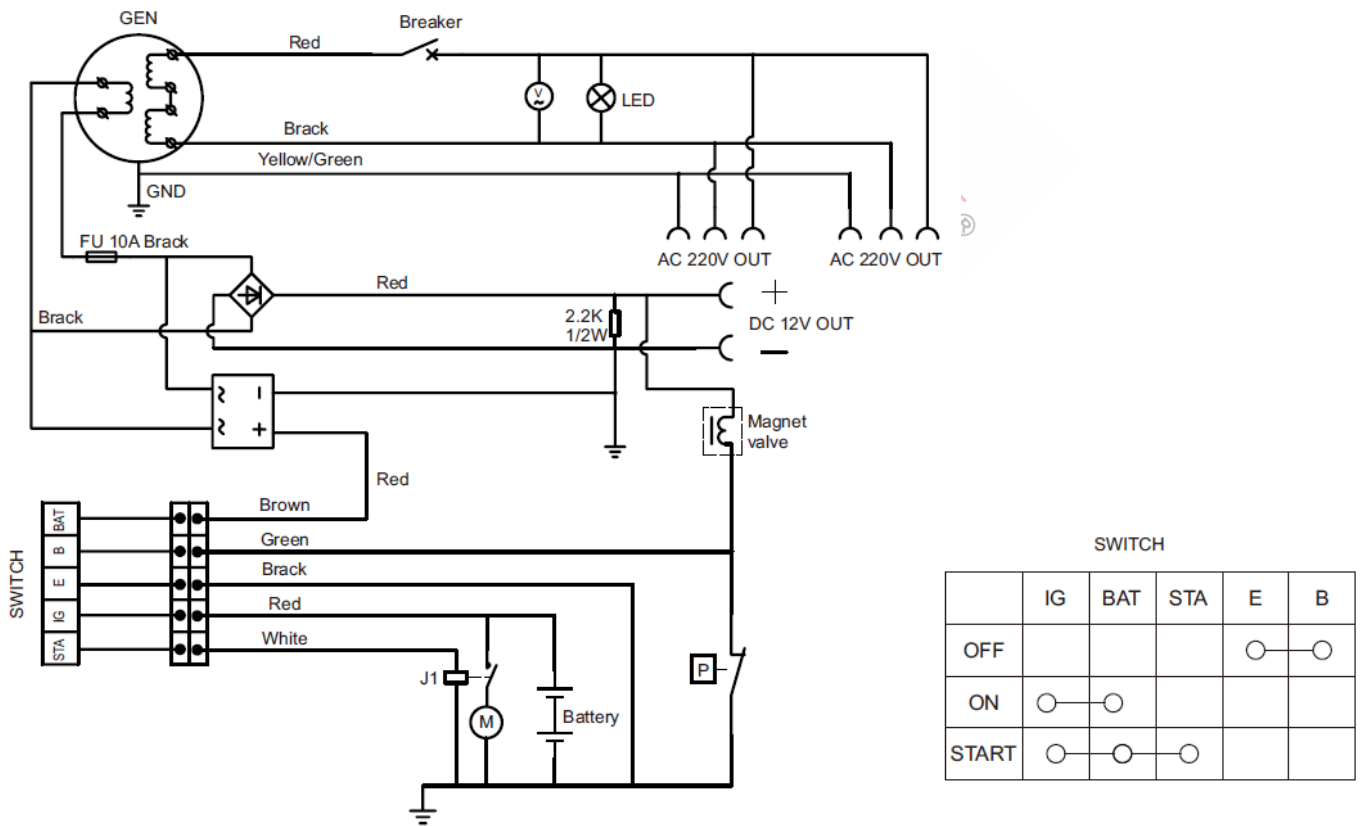
- (1) Any abnormal sound or vibration?
- (2) The engine misfiring or running rough.
- (3) What about the color of the exhaust gas? (is it black or too white?)

If you notice any of the above phenomenon, stop the engine and consult your nearest dealer or contact with our company.



Load

To add load according to specified parameter. For electric principle diagram of generator, please refer to the following drawing.



AC application

- (1) Start the engine and make sure the pilot lamp turns on. If it does not, the filament may be burnt out.
- (2) The speed of generator must reach rated speed (lever at top). For rated speed of generator, please see main technical specifications and parameters at the relevant chapter Section.
- (3) The Generator can load when the indicator of voltmeter shows at 230(+10%) (50Hz) on the panel of control box.
- (4) Plug in the appliance.

Caution: Do not start two or more machines simultaneously. Start them one by one. Do not use floodlights together with other machines.

(5) Be sure that all appliances are in good working condition before connecting them to the generator, if an appliance begins to operate abnormally, becomes sluggish, or stops suddenly, turn off the generator immediately. Then disconnect the appliance and examine it for signs of malfunction. If overloading of the circuit trips the AC circuit protector, reduce the electrical load on the circuit, and wait a few minutes before resuming operation. If the indication of voltmeter is too low or too high, stop the machine and examine it for cause of malfunction.

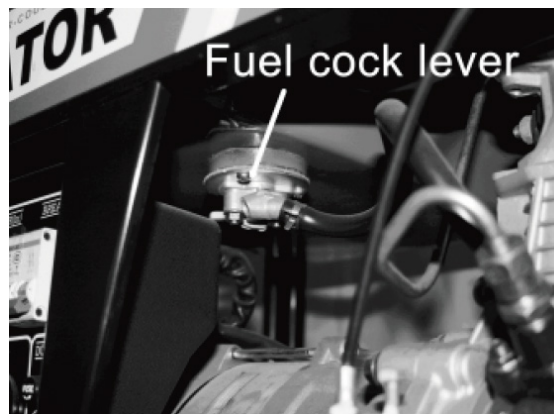
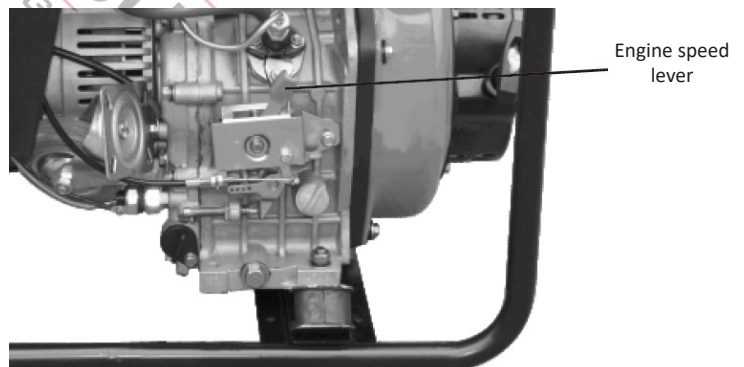
DC application

The DC terminal may be used for charging 12 volt automotive-type batteries only. (1) When using automotive-type batteries with battery cables, be sure to disconnect the minus pole battery cable from the battery before charging. (2) Start the engine. (3) Connect the charging cable to the battery terminals and the DC terminals of generator. Connect the positive battery terminal to the positive generator terminal. Do not reverse the charging cables, or serious damage to the generator and/or battery may occur. Do not allow the free ends of the cable to touch each other. If this occurs, it will be short circuit the battery. When a large capacity battery is charged, excessive current flows (the value varies depending on the discharging condition), and the fuse for the direct current will burn out. (4) Batteries produce explosive gases. Keep sparks, flames and cigarettes well away. To prevent the possibility of creating a spark near the battery, always connect the charging cables to battery first and only then to the generator. When disconnecting, you should disconnect the cables at the generator first. (5) Charge the battery in a well ventilated place. Before charging, remove the cap from each cell of the battery. Discontinue charging if the electrolyte temperature exceeds 45°C.

Caution: Do not attempt to start an automobile engine while the generator is still connected to the battery. Do not use DC 12 volt and AC at the same time.

Stopping the generator

Please bear in mind that for stopping (as well as starting) the BGB9000 generator, you should carefully follow the initial guidelines. Stopping and starting BGB9500 is simply done by the respective switch, no further detailed explanation is required.



Periodic checks and maintenance procedure

Periodic check and maintenance are very important for keeping the engine in good condition and durable. The generator consists of diesel engine, alternator, control box and frame, etc.. Please read the detailed description of operating manual for each part.

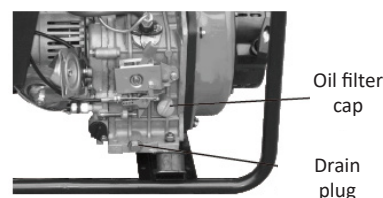
Shut off the engine before performing and maintenance. If the engine must run, make sure the area is well ventilated. The exhaust contains poisonous carbon monoxide gas. After engine has been used, clean it immediately with a cloth to prevent corrosion and remove sediment.

Service period regular	Daily Check	First month or 10 hours	Every 3 months or 100 hours	Every 4,5 months or 200 hours	Every year or 1000 hours
Item					
Check and replenish fuel	○				
Drain fuel F.O. tank		○			
Check and replenish lube oil	○				
Check for oil leakage	○				
Check and tighten each parts engine	○			● (tighten head bolts)	
Change lube oil		○ (1st time)	○ (2nd and there-after)		
Clean oil filter			○ (clean)	○ (replace)	
Air cleaner element replacement	Service more frequently when used in dusty areas			○ (replace)	
Replace fuel filter	every 100 hours at most				
Check fuel injection pump				●	
Check fuel injection nozzle				●	
Check fuel pipe				● (replace if necessary)	
Adjust valve clearance for intake and exhaust valves				● (1st time)	
Lap intake and exhaust valves					●
Replace piston rings					●
Check battery fluid	(Monthly)				

“○” The chart above indicates what checks to make and when to make them, the mark (●) indicates that special tools and skills are required, consult your dealer.

Changing engine oil (Every 100 hrs)

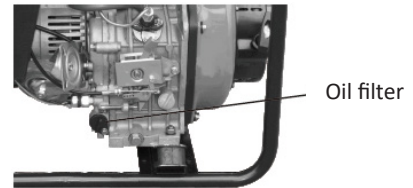
Remove the oil filler cap. Remove the drain plug and drain the used oil while the engine is still warm. The plug is located on the bottom of the cylinder block. Tighten the drain plug and refill with the recommended oil.





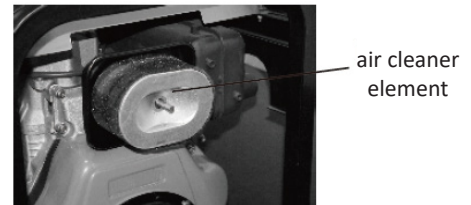
Cleaning the oil filter

- Clean the oil filter every 4 months or every 200 hours of operation.
- Replace if necessary.



Changing the air cleaner element

Do not wash the air cleaner element with detergent because this is a dry type element. Change the air cleaner element every 6 months or 300 hours (or earlier if dirty). **CAUTION:** Never start the engine without the element, or with a defective element. Change the element in time.



Replacing the fuel filter

The fuel filter also has to be cleaned regularly to ensure maximum engine output .

- (1) Drain the fuel oil from the fuel tank.
- (2) Loosen the small screws of the fuel cock and pull out the filter from the F.O. tank. Wash the filter thoroughly with diesel fuel, remove the lock nut, end cap and diffuser discs and clean the carbon deposit.

- Replace every 100 hours

Note: Tightening cylinder head bolts (Refer to the manual of diesel engine) requires a special tool. Don't try it yourself.

Checking the injection nozzle, injection pump, etc.

- (1) Adjusting the valve head clearance for the intake and exhaust valves.
- (2) Lapping of intake and exhaust valve.
- (3) Replacing piston ring.

All these require special tools and skills. Do not perform the injection nozzle test near an open fire or any other kind of fire. The fuel spray may ignite. Do not expose bare skin to the fuel spray. The fuel may penetrate the skin and cause injury to the body. Always keep your body away from the nozzle.

Checking and replenishing battery fluid and charging and battery

This diesel engine uses a 12V battery. The battery fluid will be lost through continuous charging and discharging. Before starting, check for physical damage to the battery. When actual damage is discovered, replace the battery.

Long time storage

If your generator should be stored in long time, the following preparation should be made.

- Operate the diesel engine about 3 minutes, and stop it
- Stop the diesel engine when the diesel engine is still hot, drain old lubricate of diesel engine oil out, then refill new one.
- Pull out the plug at the cover of diesel engine and add 2ml of lubricate in cylinder, and finally put the plug on its original place
- Maintenance of starting position
 - (1) Manual starting Press the pressure-reduce handle (non-compression position), pull the recoil handle 2-3 times. (Don't start diesel engine).
 - (2) Electric starting When the starting handle is in the position of non-compression position, operate the diesel engine 2-3 seconds. When the switch is in the position of start, don' start the diesel engine.
- Pull the pressure-reduce handle out, pull the recoil starter slowly. When you feel the fastness, stop the pulling. (At this time the intake and exhaust valve is at the status of close, it is suitable to prevent from rust).
- Clean and store it in a dry place.

	CAUSE	REMEDY
The diesel engine cannot start	Fuel is not enough	Add diesel fuel
	The switch is not at "ON" position	Turn it to "ON" position
	The high pressure pump and oil nozzle cannot inject oil or the oil amount is not enough	Remove the oil nozzle out and repair it at test table
	The control lever of speed is not at "RUN" position	Put the control lever to "RUN" position
	Check the level of lubricant	The specified oil level should be between upper level "H" and lower level "L"
	The speed and force to pull the recoil starter is not enough	Start the diesel engine according to the requirements of the starting operating procedure
	The oil nozzle is dirty	Clean the oil nozzle
	The battery is uncharged or doesn't work	Charge it or replace it with a new one
The generator doesn't work	Main switch is closed	Put the main switch to the "ON" position
	The contact of socket is not good	Adjust the socket
	The rated speed of generator cannot be reached	Adjust it according to the requirements

When welding, if the electrical current is overly large for the specific welding process, or the engine is shut-down by overload during welding, damage or short circuit could be caused by the AVR's regulator damage or short circuit. If no electrical current is generated, take the diesel-generator to the respective dealer or to an authorized service center.

- Further questions and problems -

If you have any question or problem when you meet in your operation, please contact with our company or our dealer and tell the following information:

- (1) The type of diesel generator sets, the No. and type of diesel engine and the No. and type of generator.
- (2) Status
What problem had taken when operation and explain how much speed it is operated.
- (3) Time of operation
- (4) The other detailed condition, for example, when the problem took place and how often, etc.

APPENDIX

1. List of accessory and spare parts with this machine

No.	Name	Unit	Qty	Remarks
1	Diesel Generator	Set	1	
2	Kit	Piece	1	
3	Plastic Cover	Piece	1	
4	Certificate of quality	Piece	1	

2. Technical documents

No.	Name	Unit	Qty	Remarks
1	Manual of diesel engine- generator series	Set	1	

3. Service Part Kit (option)

No.	Name	Unit	Qty	Remarks
1	Wrench 8-10	Set	1	
2	Wrench 12-14	Piece	1	
3	Wrench 17-19	Piece	1	
4	Screw	Piece	1	
5	Plastic Bag	Piece	1	

- ATTENTION -

1. This product is only intended for use outdoors in a well ventilated area.
2. The product is intended for generating electricity.
3. The product should not be used underground.
4. The product should not be used in a potentially explosive atmosphere.
5. The product can not be connected directly to power supply.

NOTE: When operating the engine, ear protection shall be worn.

* The manufacturer reserves the right to make minor changes to product design and technical specifications without prior notice unless these changes significantly affect the performance and safety of the products. The parts described / illustrated in the pages of the manual that you hold in your hands may also concern other models of the manufacturer's product line with similar features and may not be included in the product you just acquired.

* To ensure the safety and reliability of the product and the warranty validity, all repair, inspection, repair or replacement work, including maintenance and special adjustments, must only be carried out by technicians of the authorized service department of the manufacturer.

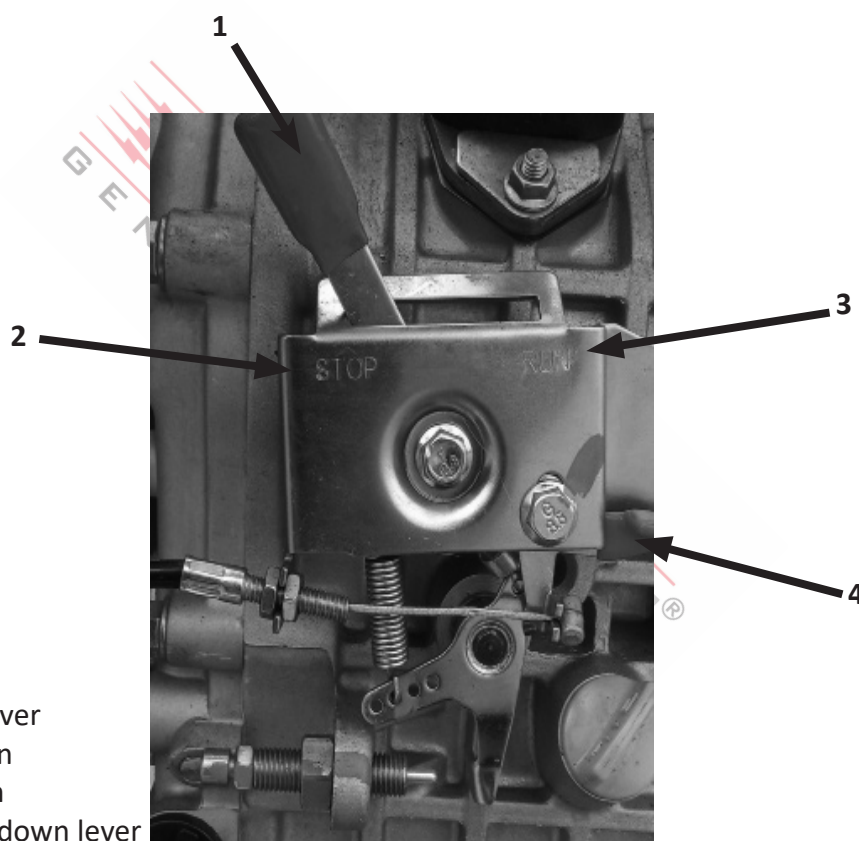
* Always use the product with the supplied equipment. Operation of the product with non-provided equipment may cause malfunctions or even serious injury or death. The manufacturer and the importer shall not be liable for injuries and damages resulting from the use of non-conforming equipment.

ATTENTION

START-UP AND SHUT-DOWN INSTRUCTIONS FOR GP7000/GP7500/BGB9000 GEN-SET TYPE

In order to start the diesel generator make sure that the following steps have taken place:

1. a) The oil container has been properly filled, b) adequate diesel fuel has been supplied to the fuel tank, c) the battery has been correctly connected.
2. Place the **RUN-STOP lever (1)** in the **RUN (3)** position (and release it as soon as you feel that it has “clicked in position” and that it remains firmly in place.)
3. We turn the key in the starter until the diesel generator starts (if it does not start in the first 3 - 4 seconds, release the key for another 3 - 4 seconds (in order to protect the engine) and try again. If you notice difficulties with the gen-set starting, press the decompressor at the same time as the starter when starting the engine, as stated in the instructions.



1. RUN-STOP lever
2. STOP position
3. RUN position
4. Manual shutdown lever

In order to shut the diesel-generator set down :

1. Turn the key to the **OFF** position and the gen-set shuts down.
2. If the diesel-generator set does not shut down press the **manual shutdown lever (4)**, notice that the **RUN-STOP lever (1)** moves to the **STOP (2)** position and the diesel-generator set is subsequently turned off.

ΟΔΗΓΙΕΣ ΑΣΦΑΛΕΙΑΣ

1. Κρατήστε τα παιδιά σε απόσταση ασφαλείας από την γεννήτρια, 2. Μην ακουμπήσετε το κινητήρα και την εξάτμιση όταν η γεννήτρια λειτουργεί ή όταν μόλις την έχετε σβήσει για την αποφυγή εγκαυμάτων. Δώστε προσοχή στα αυτοκόλλητα που βρίσκονται πάνω στην γεννήτρια, 3. Ηλεκτρικά εργαλεία (συμπεριλαμβανομένου του καλωδίου και του βύσματος) θα πρέπει να είναι σε καλή κατάσταση πριν την εκκίνηση, 4. Μια καινούρια ασφάλεια θα πρέπει να είναι στο ίδιο επίπεδο λειτουργίας, χαρακτηριστικών και παραμέτρων με αυτό που αλλάζετε, 5. Λόγω της υψηλής μηχανικής καταπόνησης, μόνο καλώδια με περίβλημα καουτσούκ ή προϊόντα παρόμοια επιτρέπονται στην χρήση, 6. Όταν χρησιμοποιείτε προεκτάσεις καλώδια με διάμετρο 1,5mm² δεν θα πρέπει να είναι μεγαλύτερα από 60m και καλώδια με διάμετρο 2,5mm² δεν θα πρέπει να είναι μεγαλύτερα από 100m, 7. Με την χειροκίνητη εκκίνηση, ο κίνδυνος της αλλαγής κατεύθυνση περιστροφής ξαφνικά πρέπει να αποτραπεί, 8. Κάτω από κανονικές συνθήκες εργασίας, η γεννήτρια θα πρέπει να έχει φορτίο μόνο όσο αναγράφουν οι οδηγίες χρήσης. Στην περίπτωση που οι συνθήκες εργασίας δεν είναι κανονικές η γεννήτρια θα πρέπει να λειτουργεί με μικρότερη εξαγωγή. Όταν η θερμοκρασία, το υψόμετρο και η υγρασία είναι υψηλότερη από τις κανονικές συνθήκες εργασίας η γεννήτρια θα λειτουργεί με μικρότερη εξαγωγή, 9. Πριν τον έλεγχο και την συντήρηση της γεννήτριας, ο κινητήρας θα πρέπει να είναι σταματημένος. Αφαιρέστε το μπουζί και το κλειδί για να σιγουρευτείτε ότι δεν θα ξεκινήσει κατά λάθος η γεννήτρια. Στην συνέχεια ελέγξτε και συντηρήστε την γεννήτρια σύμφωνα με το πρόγραμμα. 10. Εκτός από το καθημερινό έλεγχο και καθαρισμό, ο έλεγχος και οι ρυθμίσεις θα πρέπει να πραγματοποιούνται από εξουσιοδοτημένο τεχνικό προσωπικό. (επικοινωνήστε με τον προμηθευτή σας). 11. Μια καινούρια γεννήτρια θα πρέπει να περάσει από μια περίοδο προσαρμογής τουλάχιστον 30 ωρών όπου η έξοδος δεν θα υπερβαίνει το 75%.

ΕΙΣΑΓΩΓΗ

Η γεννήτρια αυτή πετρελαίου έχει υπέρ-ελαφρύ, αερόψυκτο, 4-χρονο κινητήρα πετρελαίου άμεσου ψεκασμού και διακρίνεται από δύο τρόπους εκκίνησης, εκκίνηση με χειρόμιζα και ηλεκτρική εκκίνηση με μίζα. Είναι εξοπλισμένη με μεγάλη δεξαμενή χωρητικότητας καυσίμου, προστασία κυκλώματος, συσκευή διπλής εξόδου τάσης εναλλασσόμενου και συνεχούς ρεύματος, συναγερμό χαμηλής πίεσης λαδιού και συσκευή αυτόματης διακοπής. Η γεννήτρια πετρελαίου χρησιμεύει για την παροχή εφεδρικού ηλεκτρικής ενέργειας όπου απαιτηθεί. Το εγχειρίδιο αυτό περιγράφει τον τρόπο λειτουργίας της νηζελογεννήτριας. Μελετήστε το εγχειρίδιο πριν χρησιμοποιήσετε τη γεννήτρια πετρελαίου ώστε να διασφαλιστεί η σωστή λειτουργία. Ακολουθήστε τις οδηγίες προσεκτικά προκειμένου να διατηρηθεί η νηζελογεννήτρια στην βέλτιστη δυνατή κατάσταση λειτουργίας, και να παραταθεί η διάρκεια της. Επικοινωνήστε απευθείας με αντιπρόσωπο μας ή την εταιρεία μας για οποιοδήποτε σχετικό ζήτημα.

Απεικόνιση σειράς νηζελογεννητριών

Τύπος ανοικτού πλαισίου



Κλειστός τύπος (αθόρυβη λειτουργία)

Βασικές παράμετροι

Το genset μπορεί να παράγει την ονομαστική ισχύ εξόδου κάτω από τις ακόλουθες συνθήκες:

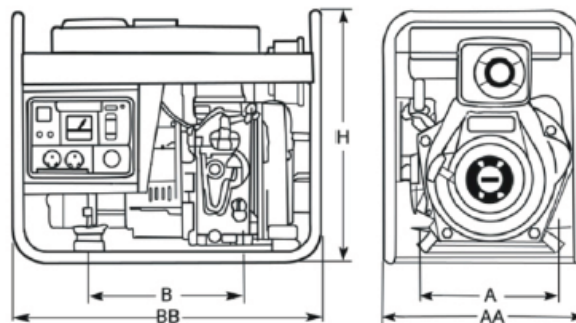
Υψόμετρο (m)	Θερμοκρασία (°C)	Σχετική υγρασία
0	+20	60%

Το genset μπορεί να παράγει καθορισμένη ισχύ εξόδου και να λειτουργεί αξιόπιστα κάτω από τις ακόλουθες συνθήκες:

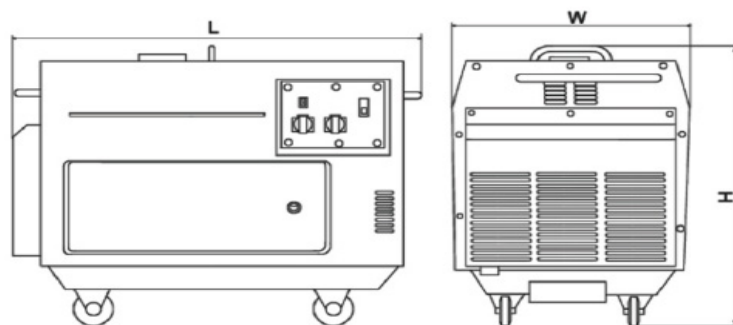
Υψόμετρο (m)	Θερμοκρασία (°C)	Σχετική υγρασία
< 1000 (m)	5 - 40	90%

Πλαίσιο και διαστάσεις εγκατάστασης

- Πλαίσιο και διαστάσεις εγκατάστασης γεννήτριας πετρελαίου (ανοικτού τύπου) (αναλόγως του μοντέλου)

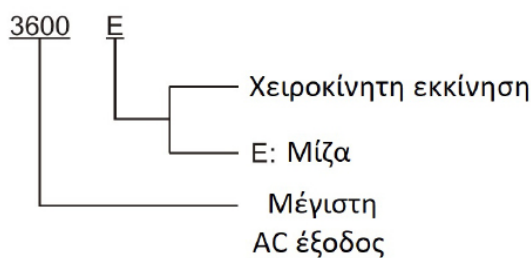


- Πλαίσιο και διαστάσεις εγκατάστασης γεννήτριας πετρελαίου (κλειστού τύπου)

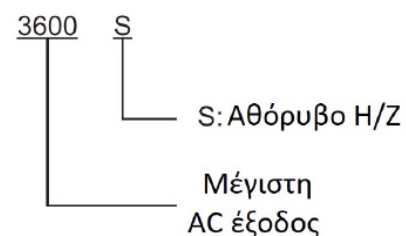


- Μοντέλο και κωδικός γεννήτριας

ΑΝΟΙΚΤΟΥ ΤΥΠΟΥ



ΚΛΕΙΣΤΟΥ ΤΥΠΟΥ



Λειτουργία Η/Ζ

Διαβάστε και κατανοήστε τις οδηγίες χρήσης ώστε να εξασφαλίσετε στοιχειώδη ασφαλή λειτουργία και δώστε προσοχή στις κύριες λειτουργίες της γεννήτριας καθώς υπάρχει κίνδυνος προσωπικού τραυματισμού και υλικών ζημιών.

Αποφυγή φωτιάς

Το καύσιμο της γεννήτριας είναι το πετρέλαιο, δεν πρέπει να χρησιμοποιήσετε βενζίνη, κηροζίνη κλπ. Στεγνώστε καλά τα καύσιμα που έχουν διαρρεύσει / χυθεί με ένα καθαρό πανί. Κρατήστε βενζίνη, κηροζίνη, σπρίττα και άλλα εύφλεκτα υλικά μακριά από την γεννήτρια διότι η θερμοκρασία γύρω από την εξάτμιση ανεβαίνει σημαντικά κατά την χρήση. Για την αποφυγή φωτιάς και για να έχετε επαρκή εξαερισμό, κρατήστε την γεννήτρια τουλάχιστον 1,5 μέτρο μακριά από κτήρια και άλλα εξαρτήματα κατά την λειτουργία. Λειτουργήστε την γεννήτρια σε επίπεδη επιφάνεια, μπορεί να χυθούν καύσιμα εάν γείρετε την γεννήτρια.

Αποφυγή εισπνοής καυσαερίων

Τα καυσαέρια περιέχουν μονοξείδιο του άνθρακα (δηλητηριώδες αέριο). Μην χρησιμοποιείτε την γεννήτρια σε χώρους με κακό εξαερισμό. Εάν δεν μπορείτε να αποφύγετε την εσωτερική χρήση, παρέχετε πάντοτε επαρκή εξαερισμό για λόγους ασφαλείας.

Αποφυγή εγκαυμάτων

Μην ακουμπάτε την εξάτμιση, όταν η γεννήτρια λειτουργεί ή είναι ζεστή, καθώς αναμένεται να είναι καυτή.

Αποφυγή ηλεκτροπληξίας, βραχυκυκλωμάτων

Για την αποφυγή ηλεκτροπληξίας ή βραχυκυκλώματος μην ακουμπάτε την γεννήτρια όταν είναι βρεγμένη ή όταν τα χέρια σας είναι βρεγμένα. Η γεννήτρια δεν είναι αδιάβροχη, για το λόγο αυτό δεν θα πρέπει να χρησιμοποιείται σε χώρο όπου είναι εκτεθειμένη στην βροχή, στο χιόνι ή την υγρασία.

ΠΡΟΣΟΧΗ: Οι περισσότερες συσκευές χρειάζονται περισσότερα από τα αναγραφόμενα Watt για την εκκίνησή τους. Μην υπερβαίνετε το όριο ισχύος για κάθε πρίζα.

Η γεννήτρια θα πρέπει να είναι γειωμένη για την αποφυγή ηλεκτροπληξίας. Συνδέστε ένα κατάλληλου μήκους καλώδιο μεταξύ του ακροδέκτη γείωσης της γεννήτριας και μια εξωτερικής συσκευής γείωσης. Δείτε τις ακόλουθες εικόνες: Μην συνδέσετε άλλες συσκευές/διατάξεις στην γεννήτρια πριν την εκκίνησή της.

Άλλα σημαντικά θέματα ασφαλείας

Να γνωρίζετε πώς να σταματήσετε την γεννήτρια (Η/Ζ) γρήγορα και κατανοήστε πώς να λειτουργείτε κάθε διακόπτη ξεχωριστά. Μην αφήνετε άλλους να χρησιμοποιήσουν την γεννήτρια χωρίς τις κατάλληλες οδηγίες ή επίβλεψη. Φορέστε κράνος, υποδήματα ασφαλείας και αντίστοιχα ρούχα προστασίας, κρατήστε κατοικίδια και παιδιά μακριά από την γεννήτρια κατά την λειτουργία της.



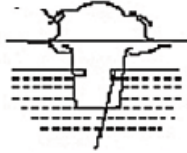
Φόρτιση μπαταρίας

Η μπαταρία περιέχει οξέα. Προστατεύστε τα μάτια, το δέρμα και τα ρούχα σας. Στην περίπτωση επαφής, καθαρίστε με άφθονο νερό και επικοινωνήστε με τον ιατρό σας, ειδικά σε τυχόν επαφή με τα μάτια. Οι μπαταρίες παράγουν αέριο υδρογόνο που μπορεί να προκαλέσει φωτιά ειδικά κατά την φόρτιση. Φορτίστε την μπαταρία σε καλά αεριζόμενο χώρο. Όταν μια περιφερειακή συσκευή χρησιμοποιεί μια γεννήτρια, μην την αποσυνδέετε, διότι μπορεί να προκληθεί βλάβη στην εν λόγω περιφερειακή συσκευή.

Προετοιμασία πριν την εκκίνηση / Επιλογή και χειρισμός καυσίμου

Ρεζερβουάρ: Μόνο πετρέλαιο μπορεί να χρησιμοποιηθεί. Το καύσιμο θα πρέπει να φιλτραρισθεί. Τα καύσιμα θα πρέπει να είναι καθαρά, χωρίς νερό και σκόνες, διότι μπορεί να προκληθεί ζημιά στην αντλία και στο μπεκ.

ΠΡΟΣΟΧΗ: Γεμίστε το ρεζερβουάρ μέχρι το σημάδι που βρίσκεται στο εσωτερικό του φίλτρου του ρεζερβουάρ και όχι πέρα τούτου.

**Φίλτρο αέρος:**

Μην πλένετε το φίλτρο αέρος με απορρυπαντικό. Αλλάξτε το φίλτρο όταν η εξαγωγή μειωθεί ή όταν το χρώμα στα καυσαέρια αλλάξει.

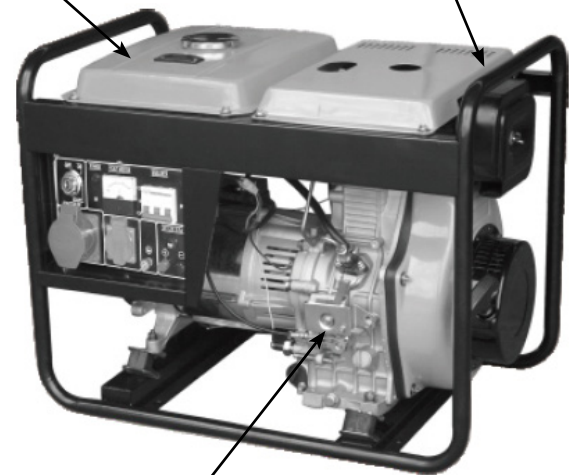
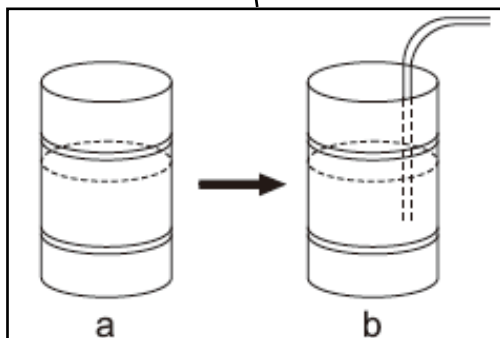
ΠΡΟΣΟΧΗ

- Μην καπνίζετε και μην δημιουργείτε σπίθες στο χώρο όπου συμπληρώνετε καύσιμα στον κινητήρα ή στο χώρο όπου αποθηκεύετε τα καύσιμα.

- Μην χύνετε καύσιμα όταν γεμίζετε την δεξαμενή της ντηζελογεννήτριας, σιγουρευτείτε ότι η τάπα είναι καλά τοποθετημένη.

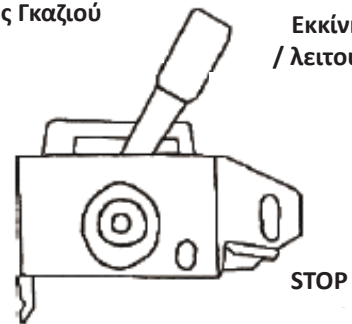
a. Αφού προμηθευτείτε καύσιμα, αφήστε τα να "κάτσουν" για 3 - 4 μέρες.

b. Μετά από 3 - 4 μέρες: τοποθετήστε ένα σωλήνα απορρόφησης στην μέση του δοχείου (το νερό και η σκόνη συσσωρεύονται στο κάτω μέρος του δοχείου).



Μοχλός Γκαζιού

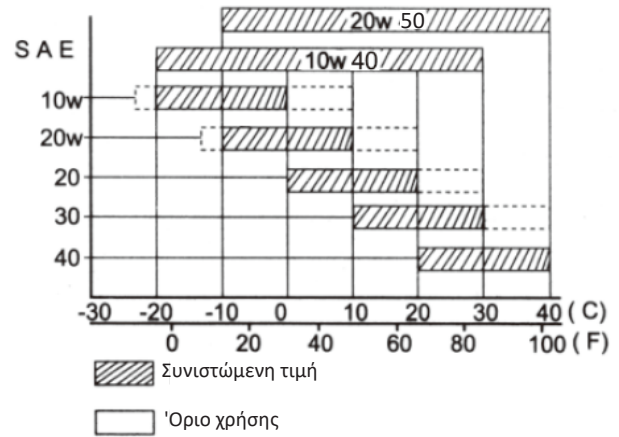
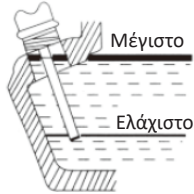
Εκκίνηση / λειτουργία



STOP

Επιλογή και χειρισμός λαδιού

Εισαγωγή λιπαντικού : Τοποθετήστε την νηζελογεννήτρια σε επίπεδη επιφάνεια, γεμίστε με λάδι δια μέσου της εισαγωγής λαδιού του Η/Ζ. Για να ελέγξετε το επίπεδο του λαδιού, απλά τοποθετήστε τον δείκτη μέσα στην εισαγωγή. Μην βιδώνετε τον δείκτη.

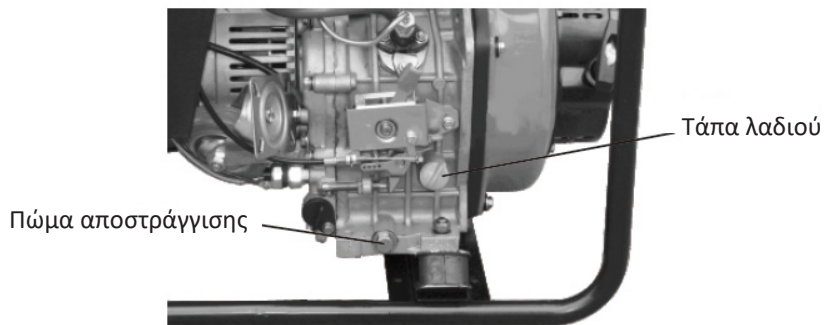


Τίποτα δεν επηρεάζει περισσότερο την λειτουργία της νηζελογεννήτριας (Η/Ζ) από το λιπαντικό που χρησιμοποιείτε. Εάν το λάδι καταναλωθεί ή εάν δεν αλλάζετε το λάδι τακτικά υπάρχει κίνδυνος εμπλοκής του πιστονιού ή άλλης ζημιάς στον κινητήρα. Ο χρόνος ζωής της νηζελογεννήτριας (Η/Ζ) θα μειωθεί αισθητά.



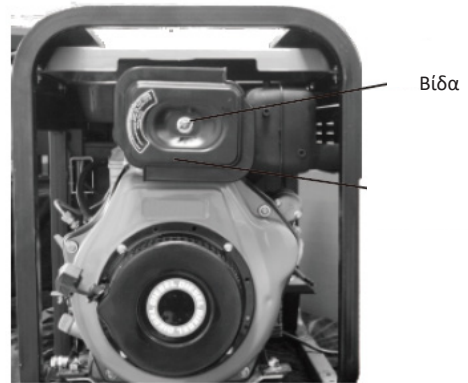
Σιγουρευτείτε ότι ελέγχετε συχνά το επίπεδο του λαδιού και συμπληρώστε μέχρι το επιθυμητό επίπεδο πριν να ξεκινήσετε το Η/Ζ ακόμα και είναι εξοπλισμένο με ασφάλεια λαδιού. Να αδειάζετε το λάδι όταν ο κινητήρας είναι ζεστός, καθώς είναι δύσκολο να πραγματοποιηθεί η ενέργεια αυτή όταν ο κινητήρας είναι κρύος.

ΠΡΟΣΟΧΗ: Μην συμπληρώνετε λάδι στον κινητήρα κατά την λειτουργία του!

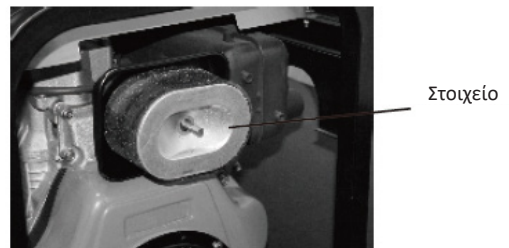


Έλεγχος φίλτρου αέρος

(1) Ξεβιδώστε την βίδα, βγάλτε το κάλυμμα του φίλτρου και αφαιρέστε το στοιχείο. Μην πλύνετε το φίλτρο με απορρυπαντικό. Το φίλτρο αέρος θα πρέπει να αλλάξει όταν η εξαγωγή της γεννήτριας μειωθεί ή το χρώμα το καυσαερίων αλλάξει.



Ποτέ μην λειτουργείτε το Η/Ζ χωρίς το στοιχείο φίλτρου αέρα καθώς αυτό θα μπορούσε να προκαλέσει ραγδαία φθορά μηχανής.

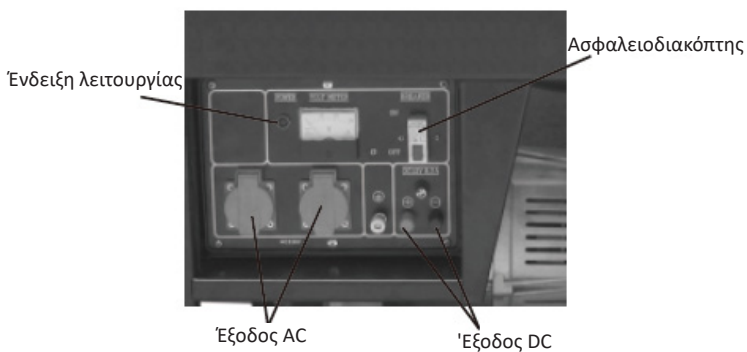


(2) Τοποθετήστε το κάλυμμα του φίλτρου και σφίξτε ξανά την βίδα.



Έλεγχος γεννήτριας

Σβήστε την γεννήτρια και αφαιρέστε τα φορτία (όπως τους διακόπτες του κινητήρα κλπ.)



Σιγουρευτείτε ότι έχετε σβήσει τον κεντρικό διακόπτη πριν εκκινήσετε την γεννήτρια. Εάν ο διακόπτης δεν είναι στην θέση OFF η απότομη εφαρμογή φορτίου μπορεί να είναι επικίνδυνη όταν ξεκινήσει ο κινητήρας.

Χειρισμός γεννήτριας διπλής τάσης

Λειτουργία του διακόπτη

Η ασφάλεια στον πίνακα ελέγχου θα πρέπει να χρησιμοποιείται όταν λειτουργείτε το ρεύμα AC, ο διακόπτης θα πρέπει να είναι στην θέση OFF πριν ξεκινήσετε την γεννήτρια. Αφού ξεκινήσετε την γεννήτρια θα πρέπει οι στροφές να φτάσουν στο μέγιστο και στην συνέχεια να τοποθετήσετε τον διακόπτη στην θέση ON, έτσι ώστε να μπορείτε να χρησιμοποιήσετε τις δύο πρίζες. Τοποθετήστε τον διακόπτη στην θέση OFF όταν χρησιμοποιείτε 12V για φόρτιση. Η έξοδος 12V μπορεί να χρησιμοποιηθεί για φόρτιση 12V, ο χρήστης μπορεί να παρέχει διακόπτη φόρτισης για την ενεργοποίηση και την παύση της φόρτισης.

Τα καύσιμα και το λάδι κινητήρα έχουν ήδη αποστραγγιστεί πριν από την έξοδο από το εργοστάσιο

Για να ελέγξετε τον αγωγό πετρελαίου και να διαπιστώσετε εάν υπάρχει αέρας αναμειγμένος στον αγωγό, και σε περίπτωση που όντως υπάρχει, αποστραγγίστε τον αέρα από τον αγωγό πριν από τον ανεφοδιασμό και την εκκίνηση του κινητήρα. Η μέθοδος είναι η εξής: χαλαρώστε το παξιμάδι σύνδεσης μεταξύ της αντλίας ψεκασμού και του αγωγού και στη συνέχεια αποστραγγίστε τον αέρα μέχρι να μην υπάρχουν φυσαλίδες αέρα στο καύσιμο.

Επιθεώρηση και λειτουργία του κινητήρα ντίζελ

Σύστημα προειδοποίησης χαμηλής στάθμης λαδιού/συσκευή διακοπής.

Η συσκευή λειτουργεί για να διακόψει αυτόματα τη λειτουργία του κινητήρα όταν η πίεση λαδιού πέσει κάτω από το ρυθμιστικό επίπεδο και για την αποτροπή της σφράγισης του κινητήρα όταν υπάρχει έλλειψη λιπαντικού λαδιού.

Η θερμοκρασία του λαδιού θα αυξηθεί πολύ υψηλά εάν ο κινητήρας λειτουργεί με ανεπαρκές λιπαντικό λάδι. Από την άλλη πλευρά η υπερβολική ποσότητα λαδιού είναι επικίνδυνη καθώς το λάδι μπορεί να καεί και να προκαλέσει ξαφνική και υπερβολική αύξηση των στροφών του κινητήρα, οπότε πριν από τη λειτουργία του μηχανήματος, βεβαιωθείτε ότι έχετε ελέγξει το λάδι και ότι παρέχετε λάδι στην καθορισμένη στάθμη.

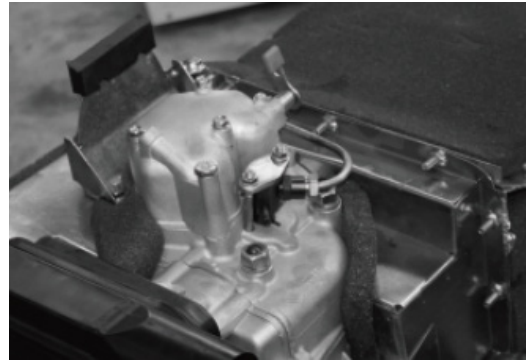
Πώς να ανοίξετε την πόρτα του πλαισίου και το κάλυμμα κλειστού τύπου της νηζελογεννήτριας.

- (1) Ανοίγετε την πόρτα θαλάμου, ανασηκώνοντας την πόρτα, και διεξάγετε καθημερινό έλεγχο.



(2) Ξεοφίξτε την βίδα και ανοίξτε το κάλυμμα για να ελέγξετε το φίλτρο αέρος.

(3) Ελέγξτε το εξωτερικό κάλυμμα του ακροφυσίου, χαλαρώστε το παξιμάδι και ανοίξτε το κάλυμμα.



Λειτουργία προσαρμογής κινητήρα ("στρώσιμο" κινητήρα).

Η εφαρμογή μεγάλων φορτίων μπορεί να μικρύνει την διάρκεια ζωής του κινητήρα όταν η νηζελογεννήτρια (H/Z) είναι καινούρια. Ακολουθήστε την λεγόμενη διαδικασία "στρωσίματος" (προσαρμογής) για τις πρώτες 20 ώρες λειτουργίας.

- (1) Μην εφαρμόζετε μεγάλα φορτία κατά την περίοδο στρωσίματος.
- (2) Να αλλάζετε το λάδι κινητήρα τακτικά.

Να αλλάζετε το λάδι του κινητήρα κάθε 10 ώρες ή μήνα μετά από την αρχική χρήση και κάθε 1,5 μήνα ή 40 ώρες (λειτουργίας) κατόπιν.

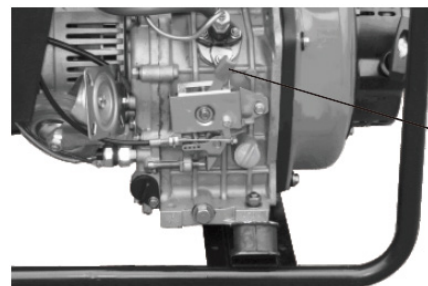
Εκκίνηση νηζελογεννήτριας

Εκκίνηση με χειρόμιζα (χειροκίνητα)

Η νηζελογεννήτρια ξεκινά με τον ακόλουθο τρόπο:

- (1) Ανοίξτε την βάννα καυσίμου (στην θέση "ON").
- (2) Τοποθετήστε τον μοχλό γκαζιού στην θέση λειτουργίας.
- (3) Τραβήξτε την λαβή της χειρόμιζας

1. Τραβήξτε την χειρόμιζα μέχρι να νιώσετε αντίσταση και επιστρέψτε την στην αρχική της θέση.
2. Πιέστε τον αποσυμπιεστή (θα επιστρέψει όταν τραβήξετε την χειρόμιζα).



Μοχλός ταχυτήτων

3. Τραβήξτε την χειρόμιζα δυνατά.

Μην αφήνετε την λαβή να γυρίσει απότομα προς την γεννήτρια. Υπάρχει κίνδυνος ζημιάς.

ΠΡΟΣΟΧΗ: Μην τραβήξετε την χειρόμιζα καθώς λειτουργεί η γεννήτρια διότι θα προκληθεί ζημιά στο μηχάνημα.

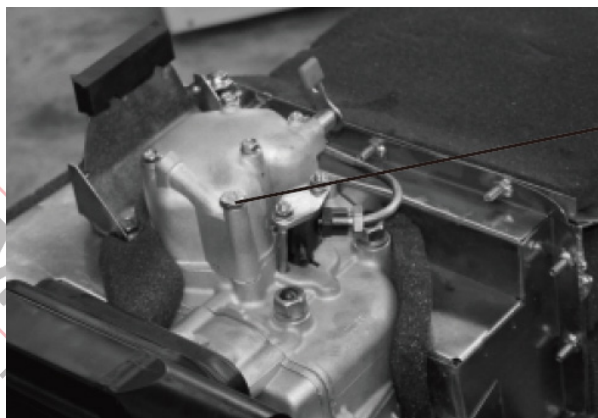


Μοχλός αποσυμπίεσης

4. Σε συνθήκες παγωνιάς, όταν δυσκολεύεστε να ξεκινήσετε την γεννήτρια, αφαιρέστε την τάπα από το κέλυφος του μπεκ και προσθέστε 2cc λαδιού.

Τοποθετήστε την τάπα πριν την εκκίνηση.

Η τάπα πρέπει να είναι πάντα τοποθετημένη διαφορετικά μπορεί να εισέλθουν νερό, χώμα, ακαθαρσίες κ.α. στον κινητήρα και να προκληθεί βλάβη στην μηχανή.



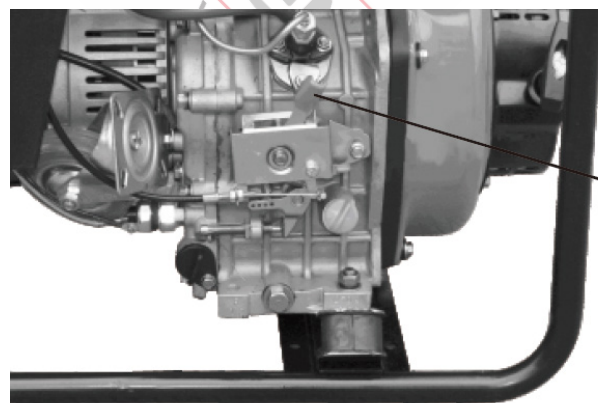
Τάπα

Εκκίνηση με μίζα

1. **Εκκίνηση** (η διαδικασία εκκίνησης με μίζα είναι ίδια με εκείνη της εκκίνησης με χειρόμιζα).

- (1) Ανοίξτε την βάνα.
- (2) Τοποθετήστε τον μοχλό γκαζιού στην θέση λειτουργίας.
- (3) Γυρίστε την μίζα προς τα δεξιά στην θέση "start".
- (4) Βγάλτε το χέρι σας από το κλειδί μόλις ξεκινήσει το μηχάνημα και αφήστε το να επιστρέψει στην αρχική του θέση.
- (5) Εάν το μηχάνημα δεν ξεκινήσει μετά από 10 δευτερόλεπτα, περιμένετε περίπου 15 δευτερόλεπτα πριν δοκιμάσετε ξανά.

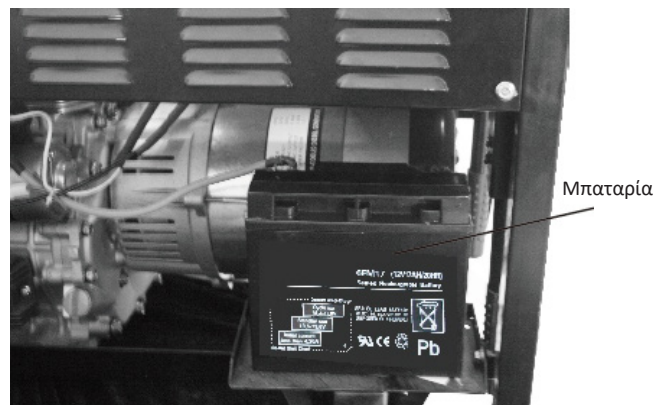
ΠΡΟΣΟΧΗ : Εάν η εκκίνηση διαρκέσει μεγάλο διάστημα, θα παρουσιαστεί πρόβλημα στην μπαταρία. Αφήστε το κλειδί στην θέση ON καθώς λειτουργεί η γεννήτρια.



Μοχλός ταχυτήτων

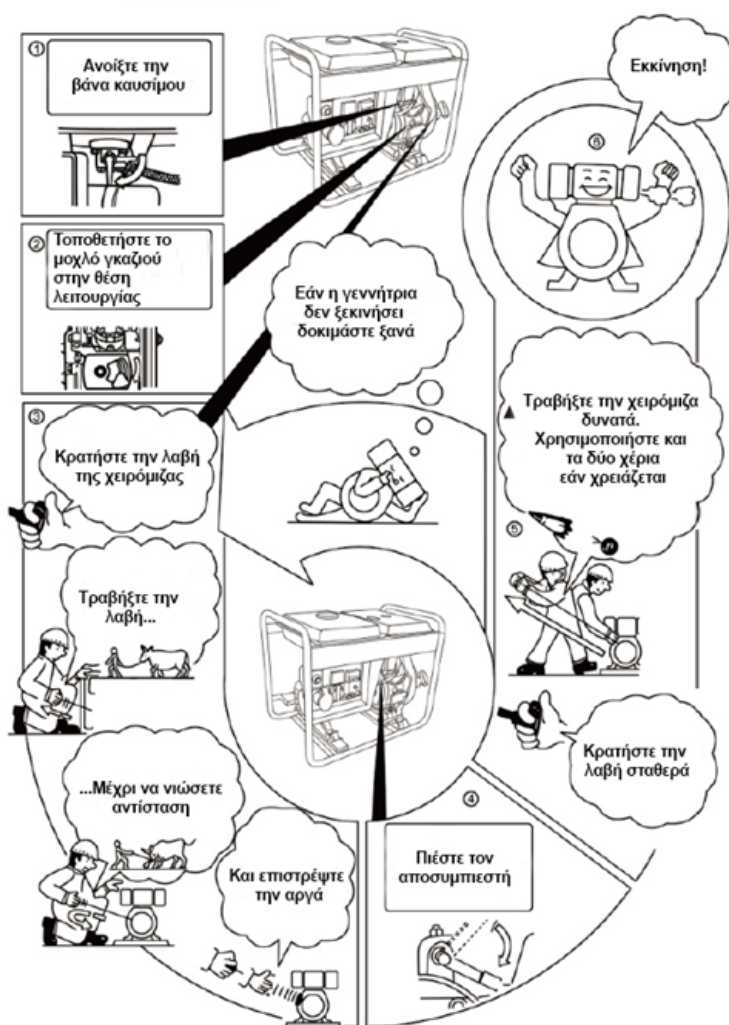
Μπαταρία

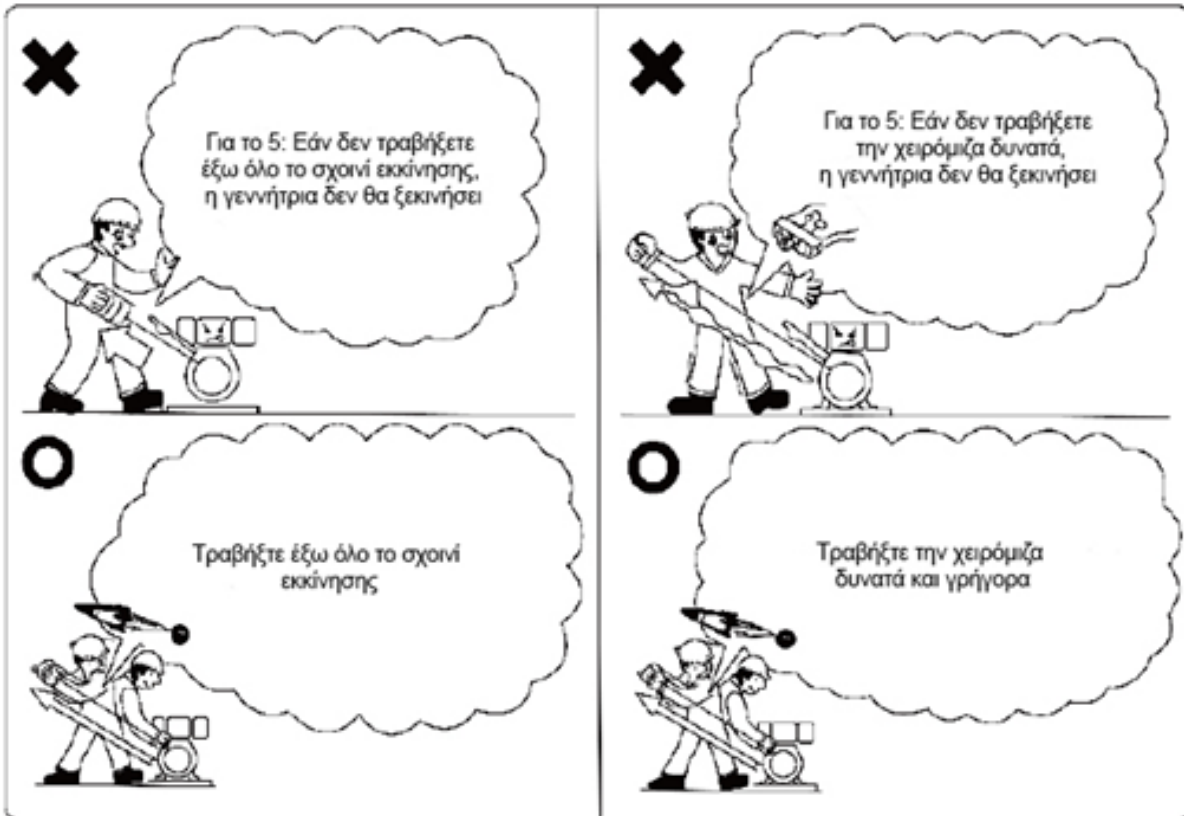
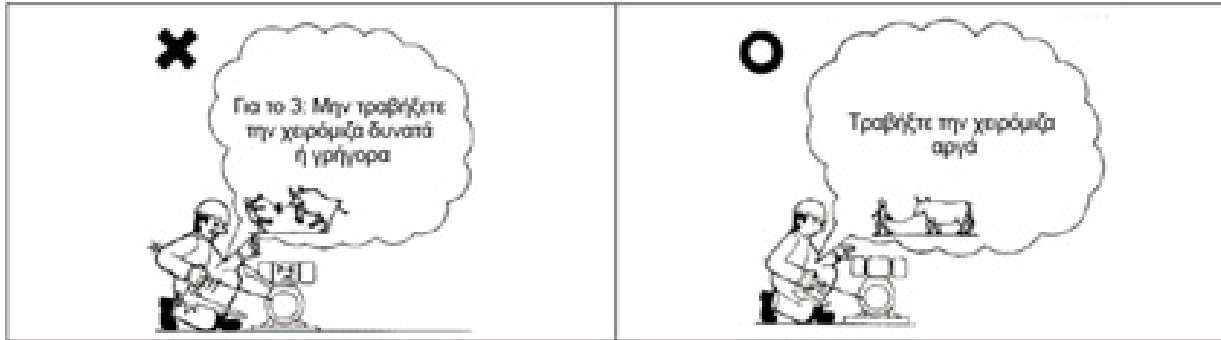
Ελέγξτε την κατάσταση μπαταρίας μια φορά το μήνα διακρίνοντας τα εξής χρώματα εξωτερικώς 1. Πράσινο χρώμα, μπαταρία OK, 2. Άσπρο χρώμα, η μπαταρία χρειάζεται φόρτιση, 3. Μαύρο χρώμα: η μπαταρία πρέπει να αντικατασταθεί.



Διαδικασία εκκίνησης νηζελογεννήτριας

Η διαδικασία αυτή προβλέπεται και είναι κατάλληλη μόνο για νηζελογεννήτριες ανοικτού τύπου.





Πώς να λειτουργήσετε ορθά την ντηζελογεννήτρια

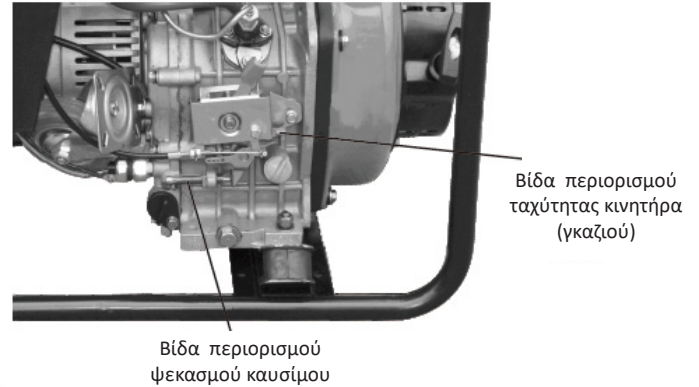
Λειτουργία

1. "Ζεστάνετε" την ντηζελογεννήτρια χωρίς φορτίο για 3 λεπτά.
2. Η ντηζελογεννήτρια είναι εξοπλισμένη με ασφάλεια χαμηλής ποσότητας λαδιού. Η ντηζελογεννήτρια θα σταματήσει αυτόματα σε περίπτωση χαμηλής στάθμης λαδιού. Η γεννήτρια θα σταματήσει αυτόματα αν την ξεκινήσετε ξανά χωρίς να συμπληρώσετε λάδι. Ελέγξτε το επίπεδο λαδιού και συμπληρώστε με το κατάλληλο λάδι.
3. Μην ρυθμίσετε την βίδα περιορισμού γκαζιού του κινητήρα ή την βίδα περιορισμού ψεκασμού καυσίμου (έχουν ρυθμιστεί από το εργοστάσιο) διαφορετικά μπορεί να επηρεάσετε την λειτουργία της μηχανής.

Έλεγχος κατά την λειτουργία :

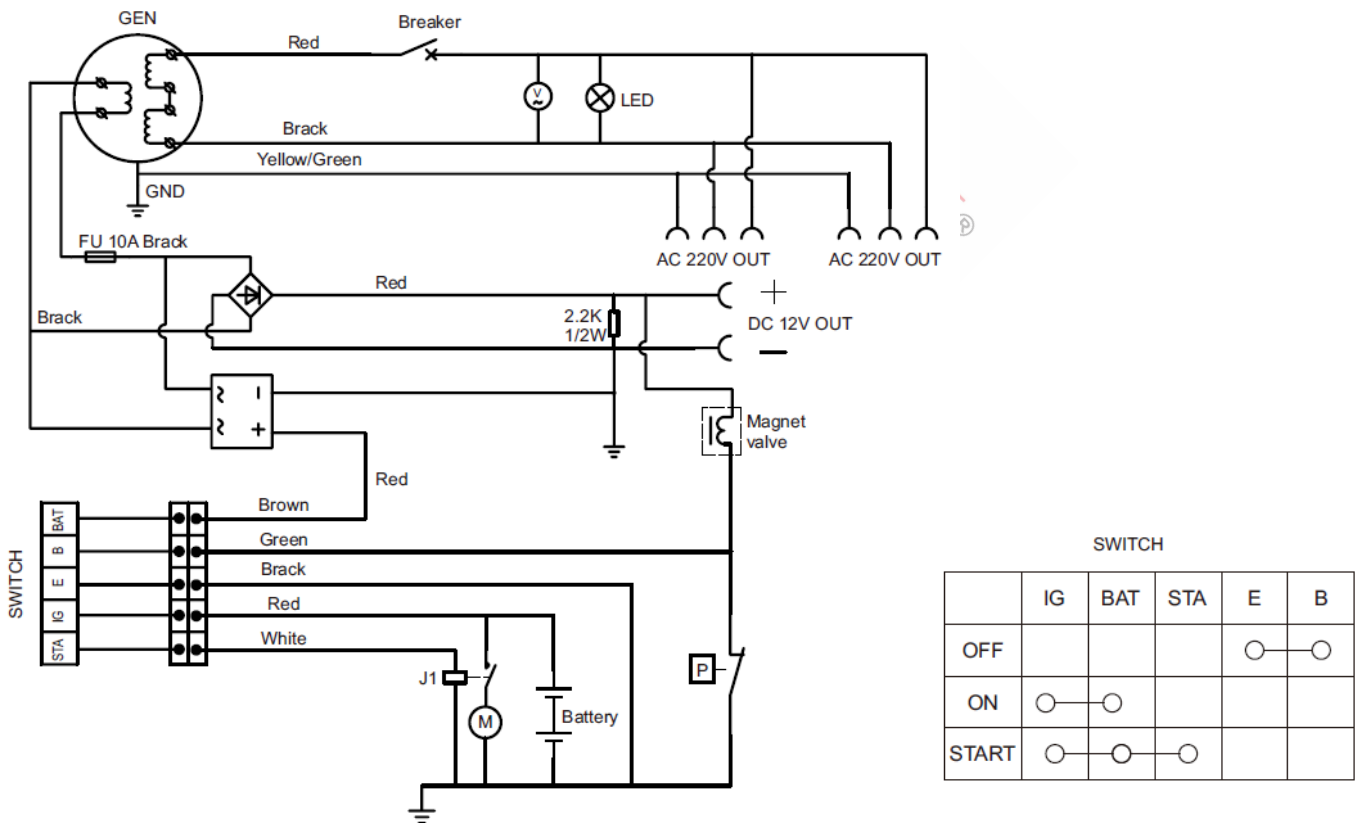
- (1) Περίεργος θόρυβος ή κραδασμοί ;
- (2) Ο κινητήρας ρετάρει ή λειτουργεί περίεργα ;
- (3) Το χρώμα των καυσαερίων (μαύρο ή άσπρο ;).

Εάν παρατηρήσετε κάποιο από τα παραπάνω φαινόμενα, σταματήστε την ντηζελογεννήτρια και συμβουλευτείτε κάποιο εξουσιοδοτημένο σέρβις.



Φορτία

Η προσθήκη φορτίων λαμβάνει χώρα σύμφωνα με τις προκαθορισμένες παραμέτρους. Παρατηρήστε το ακόλουθο ηλεκτρολογικό διάγραμμα:



Εφαρμογή AC

- (1) Ξεκινήστε την γεννήτρια και σιγουρευτείτε ότι η ένδειξη λειτουργίας ανάβει. Εάν δεν ανάβει το νήμα μπορεί να έχει καεί.
- (2) Η ταχύτητα της γεννήτριας θα πρέπει να φτάσει την αναγραφόμενη ταχύτητα (μοχλός στο τέρμα). Για την αναγραφόμενη ταχύτητα δείτε τεχνικά χαρακτηριστικά στα αρχικά κεφάλαια.
- (3) Μπορείτε να προσθέσετε φορτίο όταν η ένδειξη στο βολτόμετρο δείχνει 230 +/-10% (50Hz) στον πίνακα ελέγχου.
- (4) Συνδέστε την συσκευή.

ΠΡΟΣΟΧΗ: Μην εκκινείτε δύο ή περισσότερα μηχανήματα ταυτόχρονα. Μην χρησιμοποιείτε τους προβολείς μαζί με άλλα μηχανήματα.

(5) Βεβαιωθείτε ότι όλες οι συσκευές βρίσκονται σε καλή κατάσταση λειτουργίας πριν τις συνδέσετε στη νηξελογεννήτρια, εάν μια συσκευή αρχίσει να λειτουργεί μη φυσιολογικά, λειτουργεί υποτονικά ή σταματήσει ξαφνικά, απενεργοποιήστε αμέσως τη γεννήτρια. Στη συνέχεια αποσυνδέστε τη συσκευή και εξετάστε την για ενδείξεις δυσλειτουργίας. Εάν η υπερφόρτωση του κυκλώματος ενεργοποιήσει τις προστασίες μειώστε το ηλεκτρικό φορτίο στο κύκλωμα και περιμένετε μερικά λεπτά πριν συνεχίσετε τη λειτουργία. Εάν η ένδειξη του βολτομέτρου είναι πολύ χαμηλή ή πολύ υψηλή, σταματήστε τη συσκευή και εξετάστε την ενδελεχώς προκειμένου για την ανεύρεση αιτιών δυσλειτουργίας.

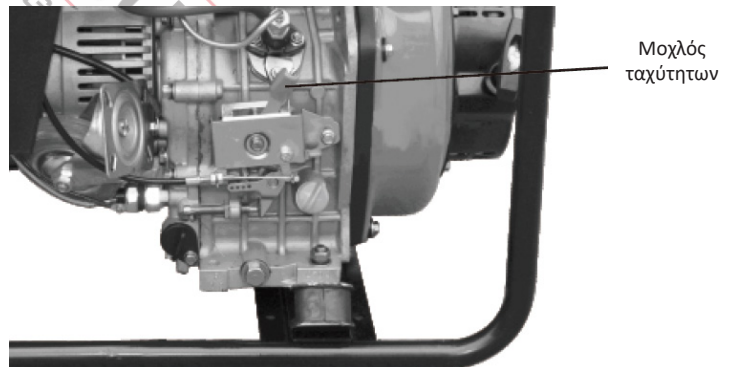
Εφαρμογή DC

Οι ακροδέκτες DC μπορούν να χρησιμοποιηθούν μόνο για τη φόρτιση μπαταριών τύπου αυτοκινήτου 12 volt: 1) Όταν χρησιμοποιείτε μπαταρίες τύπου αυτοκινήτου με καλώδια μπαταρίας, βεβαιωθείτε ότι έχετε αποσυνδέσει το καλώδιο του αρνητικού πόλου της μπαταρίας από την μπαταρία πριν από τη φόρτιση, 2) Βάλτε μπροστά τον κινητήρα, 3) Συνδέστε το καλώδιο φόρτισης στους ακροδέκτες της μπαταρίας και στους ακροδέκτες DC της γεννήτριας. Συνδέστε τον θετικό ακροδέκτη της μπαταρίας στον θετικό ακροδέκτη της γεννήτριας. Μην αντιστρέψετε τα καλώδια φόρτισης, διαφορετικά θα προκληθεί σοβαρή ζημιά στη γεννήτρια ή/και τη μπαταρία. Μην αφήνετε τα ελεύθερα άκρα του καλωδίου να αγγίζουν το ένα το άλλο. Εάν συμβεί αυτό, θα προκληθεί βραχυκύκλωμα της μπαταρίας. Όταν φορτίζεται μια μπαταρία μεγάλης χωρητικότητας, ρέει υπερβολικό ρεύμα (η τιμή ποικίλλει ανάλογα με την κατάσταση εκφόρτισης) και η ασφάλεια για το συνεχές ρεύμα θα καεί, 4) Οι μπαταρίες παράγουν εκρηκτικά αέρια. Κρατήστε μακριά σπινθήρες, φλόγες και τσιγάρα. Προκειμένου να αποφύγετε την πιθανότητα δημιουργίας σπινθήρα κοντά στην μπαταρία, συνδέστε πάντα τα καλώδια φόρτισης πρώτα στην μπαταρία και μόνο αμέσως μετά στη γεννήτρια. Κατά την αποσύνδεση, θα πρέπει να αποσυνδέετε πρώτα τα καλώδια στη γεννήτρια, 5) Φορτίζετε τη μπαταρία σε καλά αεριζόμενο χώρο. Πριν από τη φόρτιση, αφαιρέστε το καπάκι από κάθε στοιχείο της μπαταρίας. Διακόψτε τη φόρτιση εάν η θερμοκρασία του ηλεκτρολύτη υπερβαίνει τους 45°C.

ΠΡΟΣΟΧΗ: Μην επιχειρήσετε να εκκινήσετε έναν κινητήρα αυτοκινήτου ενώ η γεννήτρια είναι ακόμα συνδεδεμένη με την μπαταρία. Μην χρησιμοποιείτε 12 Volt DC και AC ταυτόχρονα.

Διακοπή λειτουργίας νηξελογεννήτριας

Σημειώστε ότι για την παύση λειτουργίας (όπως επίσης και την εκκίνηση της BGB9000 νηξελογεννήτριας, θα πρέπει προσεκτικά να ακολουθήσετε τρισυδηγίες (χρήσης του μοχλού ταχυτήτων). Η θέση εκτός λειτουργίας και η εκκίνηση της BGB95000 λαμβάνει χώρα με την αντίστοιχο διακόπτης εκκίνησης/θέσης εκτός λειτουργίας (ON/OFF)



Περιοδικοί έλεγχοι και συντήρηση

Οι περιοδικοί έλεγχοι και συντήρηση έχουν πολύ μεγάλη σημασία για την διάρκεια ζωής της νηζελογεννήτριας. Η νηζελογεννήτρια αποτελείται από κινητήρα πετρελαίου- diesel, γεννήτρια, πίνακα ελέγχου και πλαίσιο. Διαβάστε προσεκτικά τις οδηγίες για όλα τα συστατικά μέρη του μηχανήματος. Πάντοτε να θέτετε εκτός λειτουργίας την νηζελογεννήτρια πριν πραγματοποιήσετε οποιαδήποτε εργασίες συντήρησης.

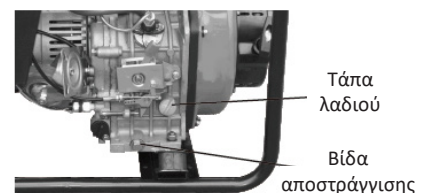
Σιγουρευτείτε ότι ο χώρος όπου θα λειτουργεί η νηζελογεννήτρια είναι καλά αεριζόμενος. Τα καυσαέρια που εκπέμπει ο κινητήρας περιέχουν δηλητηριώδες μονοξείδιο του άνθρακα. Μετά την χρήση, καθαρίστε το μηχάνημα με ένα πανί για να αποφύγετε την διάβρωση και αφαιρέστε τα όποια υπολείμματα ακαθαρσιών.

Χρόνος	Ενέργεια				
	Ημερησίως	Πρώτος μήνας ή 10 ώρες	Κάθε 1,5 μήνα ή 40 ώρες	Κάθε 4,5 μήνες ή 200 ώρες	Κάθε χρόνο ή 1000 ώρες
Έλεγχος και συμπλήρωση καυσίμου	○				
Άδειασμα ρεζερβουάρ καυσίμου		○			
Έλεγχος και συμπλήρωση λαδιού	○				
Έλεγχος για διαρροή λαδιού	○				
Έλεγχος και σφίξιμο μερών της νηζελογεννήτριας	○			● (σφίξτε τις βίδες κεφαλής)	
Αλλαγή λαδιού		○ (1η φορά)	○ (2η φορά)		
Καθαρισμός φίλτρου αέρα			○ (καθαρίστε)	○ (αντικαταστήστε)	
Αλλαγή φίλτρου αέρα	Συχνότερη συντήρηση σε χώρους με σκόνη			○ (αντικαταστήστε)	
Καθαρισμός φίλτρου καυσίμου	κάθε 100 ώρες το πολύ				
Έλεγχος αντλίας καυσίμου				●	
Έλεγχος μπεκ καυσίμου				●	
Έλεγχος σωλήνα καυσίμου				● (αντικαταστήστε εάν είναι απαραίτητο)	
Ρύθμιση βαλβίδων		● (1η φορά)			
Λείανση βαλβίδων					●
Αλλαγή ελατηρίων πιστονιού					●
Έλεγχος υγρών μπαταρίας	(μηνιαίως)				

- : δείχνει ποιους ελέγχους να πραγματοποιείτε και πότε
- : υποδεικνύει ότι χρειάζονται ειδικά εργαλεία και γνώσεις, επικοινωνήστε με εξουσιοδοτημένο σέρβις.

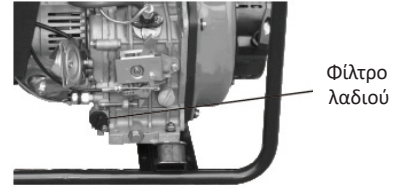
Αλλαγή λαδιών (κάθε 100 ώρες)

Αφαιρέστε την τάπα λαδιού. Αφαιρέστε την βίδα αποστράγγισης και αδειάστε το χρησιμοποιημένο λάδι όταν ο κινητήρας είναι ακόμα ζεστός. Η βίδα αποστράγγισης βρίσκεται στο κάτω μέρος του κινητήρα. Σφίξτε ξανά την βίδα αποστράγγισης και συμπληρώστε με το συνιστώμενο λάδι.



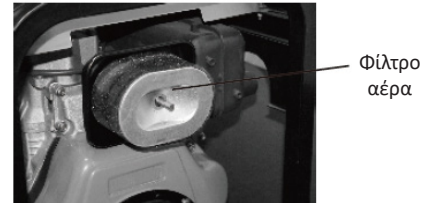
Καθαρισμός φίλτρου λαδιού

- Καθαρίστε το φίλτρο λαδιού κάθε 4 μήνες ή κάθε 200 ώρες λειτουργίας..
- Αντικαταστήστε το φίλτρο λαδιού εφόσον κριθεί απαραίτητο.



Αντικατάσταση φίλτρου αέρα

Μην πλένετε το φίλτρο αέρα με απορρυπαντικό, επειδή πρόκειται για στοιχείο ξηρού τύπου. Να αντικαθιστάτε το φίλτρο αέρα κάθε 4,5 μήνες ή 200 ώρες (ή νωρίτερα αν παρουσιάζει ακαθαρσίες). **ΠΡΟΣΟΧΗ:** Να μην θέτετε ποτέ τον κινητήρα σε λειτουργία χωρίς το φίλτρο αέρα ή με ελαττωματικό φίλτρο αέρα. Αντικαταστήστε το φίλτρο αέρα.



Καθαρισμός και αντικατάσταση του φίλτρου καυσίμου

Το φίλτρο καυσίμου πρέπει επίσης να καθαρίζεται τακτικά για να εξασφαλίζεται η μέγιστη απόδοση του κινητήρα .

- (1) Αδειάστε το καύσιμο από τη δεξαμενή καυσίμου.
- (2) Χαλαρώστε τις μικρές βίδες της βάνας καυσίμου και βγάλτε το φίλτρο από την δεξαμενή. Πλύνετε καλά το φίλτρο με πετρέλαιο ντίζελ. Αφαιρέστε το παξιμάδι ασφάλισης, το τελικό καπάκι και τους δίσκους διαχύτη και καθαρίστε τις εναπόθεσεις άνθρακα.

- Αντικαταστήστε κάθε 100 ώρες-

Σημείωση: Για τη σύσφιξη των βιδών της κυλινδροκεφαλής απαιτείται ειδικό εργαλείο. Μην το κάνετε μόνοι σας.

Έλεγχος μπεκ, αντλίας καυσίμου κλπ. Απαιτείται:

- (1) Ρύθμιση στις βαλβίδες εξαγωγής και εισαγωγής
- (2) Λείανση βαλβίδων
- (3) Αντικατάσταση ελατηρίων πιστονιού.

Όλα τα παραπάνω χρειάζονται ειδικά εργαλεία και γνώσεις. Μην τα επιχειρήσετε μόνοι σας. Επικοινωνήστε με εξουσιοδοτημένο σέρβις.

Έλεγχος και συμπλήρωμα υγρών μπαταρίας και φόρτιση μπαταρίας.

Η νηζελογεννήτρια χρησιμοποιεί μπαταρία 12V. Τα υγρά θα βαίνουν μειούμενα με τις συνεχείς φορτίσεις και αποφορτίσεις. Πριν την εκκίνηση, ελέγξτε την μπαταρία για τυχόν βλάβη καθώς και το επίπεδο ηλεκτρολύτη και συμπληρώστε με αποσταγμένο νερό εάν χρειάζεται. Όταν παρατηρείτε κάποια βλάβη να αλλάζετε την μπαταρία. Προτείνεται μηνιαίως έλεγχος υγρών μπαταρίας.

Συντήρηση για μακροχρόνια αποθήκευση

Εάν η νηζελογεννήτρια πρέπει να αποθηκευτεί για μεγάλο χρονικό διάστημα, πραγματοποιήστε τις παρακάτω προετοιμασίες:

- Λειτουργείτε την νηζελογεννήτρια για 3 λεπτά και σταματήστε την.
- Σταματήστε την νηζελογεννήτρια και ενώ ο κινητήρας είναι ακόμη ζεστός αδειάστε το λάδι, και τοποθετήστε νέο.
- Αφαιρέστε την τάπα από την κεφαλή του κινητήρα και τοποθετήστε 2ml λάδι στον κύλινδρο, και τοποθετήστε ξανά την τάπα.

Συντήρηση θέσης εκκίνησης

1. Χειροκίνητη εκκίνηση: Πιέστε τον αποσυμπιεστή (μη συμπιεσμένη θέση), τραβήξτε την χειρόμιζα 2-3 φορές (μην ξεκινήσετε την νηζελογεννήτρια)
2. Εκκίνηση με μίζα: Όταν ο αποσυμπιεστής είναι στην μη συμπιεσμένη θέση, λειτουργείτε την νηζελογεννήτρια για 2-3 δευτερόλεπτα. Όταν ο διακόπτης είναι στην θέση εκκίνησης μην ξεκινήσετε την νηζελογεννήτρια.
3. Τραβήξτε το αποσυμπιεστή, τραβήξτε την χειρόμιζα αργά. Όταν νιώσετε αντίσταση σταματήστε να τραβάτε (την στιγμή αυτή οι βαλβίδες εισαγωγής και εξαγωγής είναι κλειστές, αποτρέπεται την συσσώρευση σκουριάς).
4. Καθαρίστε και αποθηκεύστε σε στεγνό χώρο.

Συντήρηση & επίλυση αναδυόμενων προβλημάτων

Αιτία		Επιδιόρθωση
Ο κινητήρας δεν μπορεί να ξεκινήσει	Το καύσιμο δεν επαρκεί	Προσθέστε καύσιμο
	Ο διακόπτης δεν είναι στην θέση "ON"	Γυρίστε τον διακόπτη στην θέση "ON"
	Η αντλία υψηλής πίεσης και το ακροφύσιο λαδιού δεν μπορούν να εγχύσουν λάδι ή η ποσότητα λαδιού δεν είναι αρκετή.	Αφαιρέστε το ακροφύσιο λαδιού και επιδιορθώστε το
	Ο μοχλός γκαζιού δεν είναι στην θέση λειτουργίας ("Run")	Τοποθετήστε τον μοχλό γκαζιού στην σωστή θέση
	Επίπεδο λαδιού (ελέγξτε το)	Το επίπεδο λαδιού θα πρέπει να είναι ανάμεσα στο μέγιστο και το ελάχιστο
	Μη επαρκής δύναμη και ταχύτητα με τις οποίες τραβάτε την χειρόμυζα	Πραγματοποιήστε εκκίνηση της νηζελογεννήτριας σύμφωνα με τα συγκεκριμένα βήματα των οδηγιών
	Το ακροφύσιο λαδιού είναι ακαθάρτο	Καθαρίστε το ακροφύσιο λαδιού
	Η μπαταρία δεν παράγει ρεύμα	Φορτίστε την μπαταρία ή αντικαταστήστε την
Η γεννήτρια δεν παράγει ρεύμα	Ο κεντρικός διακόπτης δεν είναι κλειστός	Τοποθετήστε τον κεντρικό διακόπτη στην θέση "ON"
	Η επαφή στην πρίζα δεν είναι καλή	Προσαρμόστε πρίζα και βύσμα
	Δεν επιτυγχάνονται οι ονομαστικές στροφές της νηζελογεννήτριας	Ρυθμίστε την νηζελογεννήτρια σύμφωνα με τις απαιτήσεις

Στην περίπτωση ηλεκτροκόλλησης, εάν το ρεύμα είναι πολύ μεγάλο ή η γεννήτρια σταματήσει λόγω υπερφόρτωσης κατά την ηλεκτροκόλληση, μπορεί να προκληθεί ζημιά στο AVR ή βραχυκύκλωμα. Εάν δεν παράγει ρεύμα η νηζελογεννήτρια, επικοινωνήστε με εξουσιοδοτημένο σέρβις.

- Περαιτέρω ερωτήσεις και προβλήματα -

Εάν αντιμετωπίσετε κάποιο πρόβλημα στην λειτουργία του προϊόντος επικοινωνήστε με τον προμηθευτή σας και αναφέρετε τα παρακάτω στοιχεία:

1. τον τύπο της γεννήτριας
2. το πρόβλημα που αντιμετωπίζετε
3. τον χρόνο λειτουργίας
4. άλλες λεπτομέρειες, για παράδειγμα, πότε παρουσιάστηκε το πρόβλημα, πόσο συχνά κλπ.

1. Λίστα εξαρτημάτων και ανταλλακτικών του μηχανήματος

No.	Όνομα	Μονάδα	Ποσότητα	Παρατηρήσεις
1	Ντηζελογεννήτρια	Σετ	1	
2	Κιτ	Τεμάχιο	1	
3	Πλαστικό κάλυμμα	Τεμάχιο	1	
4	Πιστοποιητικό ποιότητας	Τεμάχιο	1	

2. Έγγραφα

No.	Οδηγίες	Μονάδα	Ποσότητα	Παρατηρήσεις
1	Manual ντηζελογεννήτριας	τεμάχιο	1	

3. Κιτ επισκευής (προαιρετικό)

No.	Όνομα	Μονάδα	Ποσότητα	Παρατηρήσεις
1	Κλειδί 8-10	Τεμάχιο	1	
2	Κλειδί 12-14	Τεμάχιο	1	
3	Κλειδί 17-19	Τεμάχιο	1	
4	Βίδα	Τεμάχιο	1	
5	Πλαστική σακούλα	Τεμάχιο	1	

- ΠΡΟΣΟΧΗ -

1. Το μηχάνημα αυτό είναι σχεδιασμένο για εξωτερική χρήση ή/και σε καλά αεριζόμενο χώρο.
2. Το μηχάνημα προορίζεται για την παραγωγή ηλεκτρικού ρεύματος.
3. Το μηχάνημα αυτό δεν πρέπει να χρησιμοποιείται υπογείως.
4. Το μηχάνημα δεν πρέπει να χρησιμοποιείται κοντά σε εύφλεκτα υλικά.
5. Το μηχάνημα δεν πρέπει σε καμία περίπτωση να συνδέεται με το Δίκτυο Διανομής Ηλεκτρικής Ενέργειας.

- Δήλωση ορίων θορύβου

Επίπεδο θορύβου = 95 dB(A)

Αβεβαιότητα = 1,5 dB(A)

(Μετρήσεις σύμφωνα με το ISO 8528-10 και EN ISO 3744).

- **Σημαντική υπενθύμιση:** όταν λειτουργείτε την ντηζελογεννήτρια θα πρέπει πάντοτε να φοράτε ωτοασπίδες.

*Ο κατασκευαστής διατηρεί το δικαίωμα να πραγματοποιήσει δευτερεύουσες αλλαγές στο σχεδιασμό του προϊόντος και στα τεχνικά χαρακτηριστικά χωρίς προηγούμενη ειδοποίηση, εκτός εάν οι αλλαγές αυτές επηρεάζουν σημαντικά την απόδοση και λειτουργία ασφάλειας των προϊόντων. Τα εξαρτήματα που περιγράφονται / απεικονίζονται στις σελίδες του εγχειριδίου που κρατάτε στα χέρια σας ενδέχεται να αφορούν και σε άλλα μοντέλα της σειράς προϊόντων του κατασκευαστή, με παρόμοια χαρακτηριστικά, και ενδέχεται να μην περιλαμβάνονται στο προϊόν που μόλις αποκτήσατε.

* Για να διασφαλιστεί η ασφάλεια και η αξιοπιστία του προϊόντος καθώς και η ισχύς της εγγύησης όλες οι εργασίες επιδιόρθωσης, ελέγχου, επισκευής ή αντικατάστασης συμπεριλαμβανομένης της συντήρησης και των ειδικών ρυθμίσεων, πρέπει να εκτελούνται μόνο από τεχνικούς του εξουσιοδοτημένου τμήματος Service του κατασκευαστή.

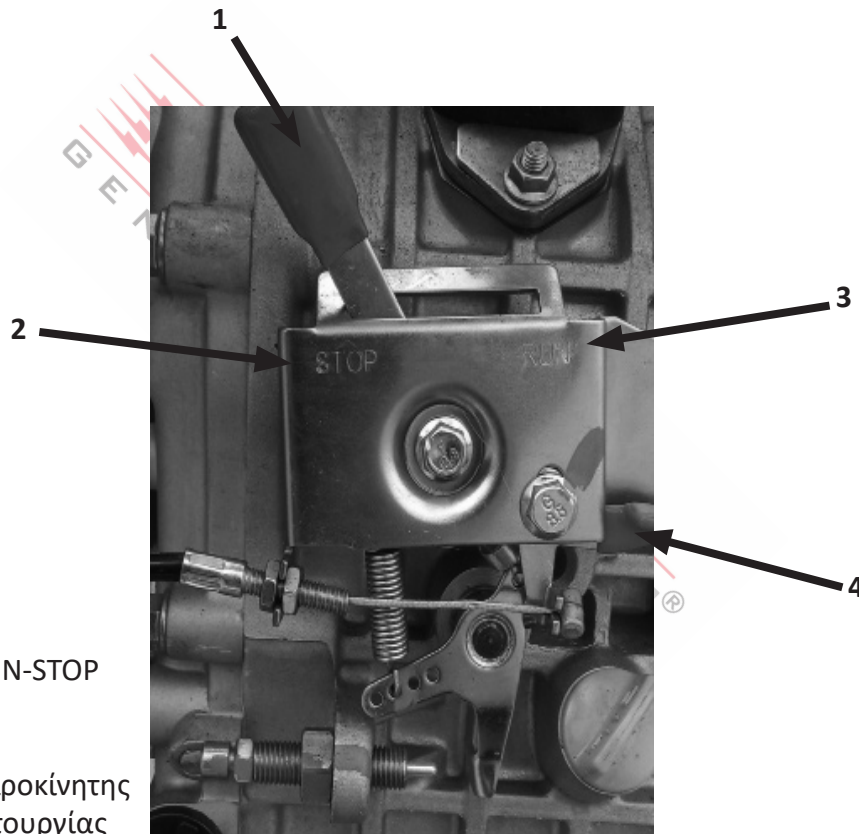
* Χρησιμοποιείτε πάντα το προϊόν με τον παρεχόμενο εξοπλισμό. Η λειτουργία του προϊόντος με μη-προβλεπόμενο εξοπλισμό ενδέχεται να προκαλέσει βλάβη ή ακόμα και σοβαρό τραυματισμό ή θάνατο. Ο κατασκευαστής και ο εισαγωγέας ουδεμία ευθύνη φέρει για τραυματισμούς και βλάβες που προκύπτουν από την χρήση μη προβλεπόμενου εξοπλισμού.

ΠΑΡΑΡΤΗΜΑ

ΟΔΗΓΙΕΣ ΕΚΚΙΝΗΣΗΣ ΚΑΙ ΘΕΣΗΣ ΕΚΤΟΣ ΛΕΙΤΟΥΡΓΙΑΣ GEN-SET GP7000/GP7500/BGB9000

Προκειμένου για την εκκίνηση της ντηζελογεννήτριας πρέπει να ακολουθήσουμε τα εξής:

1. Φροντίζουμε ώστε να έχουν γίνει τα απαραίτητα βήματα συμπλήρωσης λαδιού και εφοδιασμού με πετρέλαιο κίνησης καθώς και ορθής σύνδεσης της μπαταρίας.
2. Τοποθετούμε τον μοχλό **RUN-STOP (1)** στην θέση **RUN (3)** (τον οποίο και αφήνουμε εφόσον αντιλαμβανόμαστε ότι έχει “κουμπώσει” και ότι παραμένει σταθερά στην θέση του.)
3. Γυρνάμε το κλειδί στην μίζα μέχρι να πάρει μπροστά η ντηζελογεννήτρια (αν δεν πάρει μπροστά στα πρώτα 3 - 4 δευτερόλεπτα, αφήνουμε το κλειδί σε ηρεμία (προκειμένου για την προστασία της μηχανής) για άλλο τόσο και ξαναδοκιμάζουμε. Εάν παρατηρηθεί ότι η μηχανή δυσκολεύεται να πάρει μπροστά πρέπει κατά την εκκίνηση να πατήσουμε και τον αποσυμπιεστή ταυτόχρονα με την μίζα όπως αναφέρουν και οι οδηγίες χρήσης.



1. Μοχλός RUN-STOP
2. Θέση STOP
3. Θέση RUN
4. Μοχλός χειροκίνητης διακοπής λειτουργίας

Προκειμένου να τεθεί η ντηζελογεννήτρια εκτός λειτουργίας :

1. Γυρνάμε το κλειδί στην θέση **OFF** και η μηχανή τίθεται εκτός λειτουργίας.
2. Εάν για οποιοδήποτε λόγο δεν “σβήσει” η μηχανή πατάμε τον **μοχλό χειροκίνητης διακοπής λειτουργίας (4)**, παρατηρούμε ότι ο μοχλός **RUN-STOP (1)** μεταβαίνει στην θέση **STOP (2)** και η μηχανή ακολουθως σβήνει.

Données techniques des générateurs diesel / Dati tecnici dei generatori diesel

Modèle	Modello	GP7000MP	GP8000MA	GP8000MAT
Tension et fréquence nominales	Tensione e frequenza nominali	230 V - 50 Hz	230 V - 50 Hz	230 V/ 400 AC - 50 Hz
Puissance nominale (kW)	Potenza nominale in uscita (kW)	6,2 kVA	6,2 kVA	6,2 kVA
Puissance maximale (kW)	Potenza massima (kW)	6,6 kVA	6,6 kVA	6,6 kVA
Tension continue (Volt)	Tensione CC (Volt)	12	12	12
Régulation de la tension	Regolazione della tensione	AVR	AVR	AVR
Type de moteur	Tipo di motore	4 temps, refroidissement par air 4 tempi, raffreddato ad aria	4 temps, refroidissement par air 4 tempi, raffreddato ad aria	4 temps, refroidissement par air 4 tempi, raffreddato ad aria
Cylindrée (cc)	Cilindrata (cc)	418	418	418
Puissance (hP)	Potenza (hP)	10,5	10,5	10,5
Système de refroidissement	Sistema di raffreddamento	Moteur refroidi par air Motore raffreddato ad aria	Moteur refroidi par air Motore raffreddato ad aria	Moteur refroidi par air Motore raffreddato ad aria
Capacité du réservoir d'huile (lt)	Capacità del serbatoio dell'olio (lt)	1,65	1,65	1,65
Carburant	Carburante	Carburant diesel / Gasolio diesel	Carburant diesel / Gasolio diesel	Carburant diesel / Gasolio diesel
Capacité du réservoir de carburant (lt)	Capacità serbatoio carburante (lt)	12,5	16	16
Bruit à 7 mètres de distance (db(A))	Rumore a 7 metri di distanza (db(A))	≤ 82	≤ 82	≤ 82
Dimensions (L x P x A) (mm)	Dimensioni (L x P x A) (mm)	800 x 520 x 600	880 x 550 x 720	880 x 550 x 720
Poids (kg)	Peso (kg)	110	150	159
Prises	Prese di corrente	2 x 16 A, 1 x 12 V DC	2 x 16 A, 1 x 12 V DC	1x16A 230 V, 1x16 400 V, 1x12 V DC
Autres caractéristiques	Altre caratteristiche	Avec démarreur, batterie / Con avviamento, batteria	Type fermé / Tipo chiuso	Type fermé, triphasé / Tipo chiuso, trifase

Modèle	Modello	GP10000MAT	GP14000MAT
Tension et fréquence nominales	Tensione e frequenza nominali	230 / 400 AC - 50 Hz	230 V/ 400 AC - 50 Hz
Puissance nominale (kW)	Potenza nominale in uscita (kW)	8,5 kVA	13 kVA
Puissance maximale (kW)	Potenza massima (kW)	9 kVA	14 kVA
Tension continue (Volt)	Tensione CC (Volt)	12	12
Régulation de la tension	Regolazione della tensione	AVR	AVR
Type de moteur	Tipo di motore	4 temps, refroidissement par air 4 tempi, raffreddato ad aria	4 temps, refroidissement par air 4 tempi, raffreddato ad aria
Cylindrée (cc)	Cilindrata (cc)	499	954
Puissance (hP)	Potenza (hP)	9	20
Système de refroidissement	Sistema di raffreddamento	Moteur refroidi par air Motore raffreddato ad aria	Moteur refroidi par air Motore raffreddato ad aria
Capacité du réservoir d'huile (lt)	Capacità del serbatoio dell'olio (lt)	1,65	3
Carburant	Carburante	Carburant diesel / Gasolio diesel	Carburant diesel / Gasolio diesel
Capacité du réservoir de carburant (lt)	Capacità serbatoio carburante (lt)	25	60
Bruit à 7 mètres de distance (db(A))	Rumore a 7 metri di distanza (db(A))	≤ 71	≤ 69
Dimensions (L x P x A) (mm)	Dimensioni (L x P x A) (mm)	960 x 560 x 710	1160 x 670 x 940
Poids (kg)	Peso (kg)	170	300
Prises	Prese di corrente	1 x 16 A 230 V, 1 x 16 400 V, 1 X 12 V DC	1 x 16 A 230 V, 1 x 16 400 V DC, 1x12 V DC
Autres caractéristiques	Altre caratteristiche	Type fermé, triphasé / Tipo chiuso, trifase	Type fermé, triphasé / Tipo chiuso, trifase

Précautions de sécurité

1. Les enfants doivent être éloignés du générateur. 2. Ne touchez pas le moteur et l'échappement lorsque le groupe électrogène est en marche ou bien baissez le son pour éviter les empyroses. Veuillez prêter attention à l'autocollant d'avertissement sur le générateur. 3. L'équipement électrique (y compris le câble et le composant de connexion de la prise) doit être en bon état avant le démarrage. 4. Le nouveau disjoncteur doit avoir les mêmes performances, caractéristiques et paramètres que le précédent. 5. En raison des contraintes mécaniques élevées, seuls les câbles à gaine en caoutchouc ou les produits paritaires peuvent être utilisés. 6. Lors de l'utilisation de fils d'extension ou d'armoires de distribution mobiles, les fils de section 1,5 millimètre carré ne doivent pas dépasser 60 mètres ; pour une section de 2,5 millimètres, les fils ne doivent pas dépasser les 100 mètres. 7. Avec un moteur à démarrage manuel, il faut éviter le risque de changement soudain de direction de la rotation. 8. Dans des conditions de travail normales, le générateur ne peut charger que sa puissance nominale. Si les conditions de travail ne sont pas standard, le générateur doit fonctionner à une puissance inférieure. Lorsque la température, l'altitude et l'humidité sont supérieures aux conditions de travail standard, le générateur doit réduire sa puissance. 9. Avant de vérifier et d'entretenir le générateur, le moteur doit être arrêté. Démontez la bougie d'allumage et la clé de démarrage pour vous assurer que le moteur ne démarre pas de manière incorrecte. Ensuite, vérifiez et entretenez le générateur selon le calendrier de réparation prévu. 10. A l'exception de l'entretien quotidien et du nettoyage, la vérification et le réajustement doivent être effectués par une personne professionnelle autorisée et les composants requis doivent être fournis par celle-ci (contactez les revendeurs locaux). 11. La machine neuve ou venant d'être révisée doit subir une période de rodage d'au moins 30 heures, la puissance ne doit pas dépasser 75% de la puissance nominale.

Introduction

Cette série de générateurs diesel adopte un moteur diesel à injection directe à 4 temps, refroidi par air, de type super léger, et dispose de deux modes de démarrage en option (type châssis ouvert), à savoir le démarrage à rappel (manuel) et le démarrage électrique uniquement pour le type à châssis fermé. Ils sont équipés d'un réservoir de carburant de grande capacité, d'un protecteur de circuit, d'un dispositif de sortie à double tension CA et CC, d'une alarme de basse pression d'huile et d'un dispositif d'arrêt automatique. Les générateurs diesel servent d'alimentation électrique de secours. Ce manuel décrit le fonctionnement, la maintenance et l'entretien de ces générateurs diesel. Veuillez lire et comprendre entièrement ces instructions avant d'utiliser le groupe électrogène diesel afin d'assurer une manipulation et un fonctionnement corrects.

Suivez attentivement les instructions afin de maintenir votre groupe électrogène diesel dans les meilleures conditions de fonctionnement, ce qui prolongera sa durée de vie. Si vous avez d'autres questions concernant ce manuel, ou des suggestions, veuillez contacter directement notre revendeur ou le service après-vente agréé de notre société.

Apparence de la série de générateurs diesel

Type de châssis ouvert



Type de châssis fermé



Paramètres de base

Le groupe électrogène peut générer la puissance de sortie nominale dans les conditions suivantes :

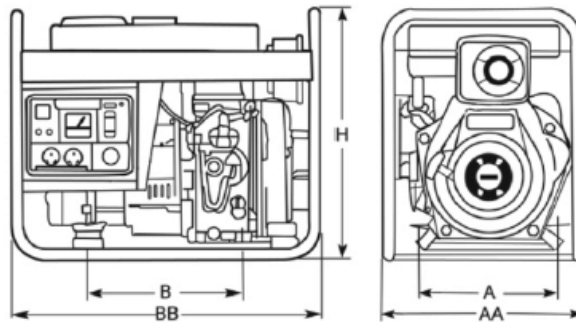
Altitude (m)	Température ambiante (°C)	Humidité relative
0	+20	60%

Le groupe électrogène peut générer la puissance spécifiée et fonctionner de manière fiable dans les conditions suivantes :

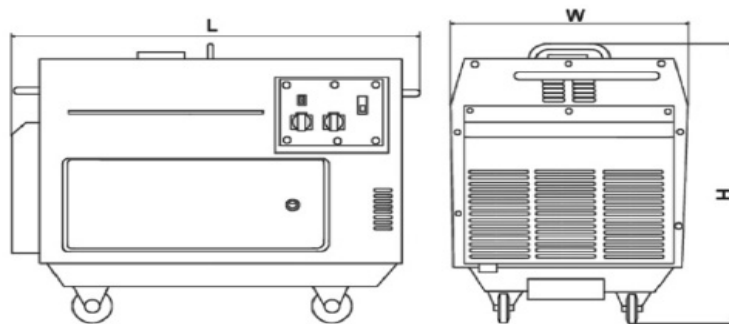
Altitude (m)	Température ambiante (°C)	Humidité relative
< 1000 (m)	5 - 40	90%

Dimensions d'encombrement et d'installation

- Plan et dimensions d'installation du générateur diesel (type châssis ouvert)

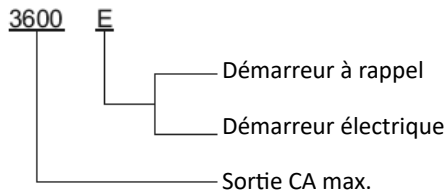


- Plan et dimensions d'installation du générateur diesel (type châssis fermé)

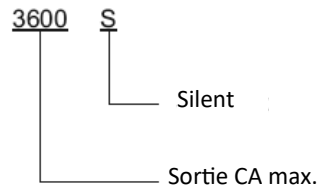


- Type et code du générateur diesel

Type châssis ouvert



Type châssis fermé



Operation du groupe électrogène diesel

Veillez lire et comprendre ce manuel d'utilisation afin de garantir une utilisation en toute sécurité, et accordez une grande attention aux principaux points d'utilisation suivants, faute de quoi vous risquez de vous blesser et d'endommager l'équipement.

Prévention des incendies

Le carburant du moteur diesel est du gazole léger, il ne faut donc pas utiliser d'essence, de kérosène, etc. Essayez tous les déversements de carburant avec un chiffon propre. Gardez l'essence, le kérosène, les allumettes et autres explosifs et inflammables loin du générateur, car la température autour de l'échappement est très élevée pendant le fonctionnement. Pour prévenir les risques d'incendie et assurer une ventilation adéquate, maintenez le générateur à une distance d'au moins 1,5 mètre des bâtiments et autres équipements pendant le fonctionnement. Faites fonctionner le générateur sur une surface plane, il peut y avoir des déversements de carburant si le générateur est incliné.

Prévention de l'inhalation des gaz d'échappement

Les gaz d'échappement contiennent du monoxyde de carbone toxique. N'utilisez jamais le générateur dans des endroits mal ventilés. Si le fonctionnement à l'intérieur est inévitable, assurez une ventilation adéquate afin que les personnes et le bétail ne soient pas affectés.

Chocs électriques, courts-circuits

Afin d'éviter les chocs électriques ou les courts-circuits, ne touchez pas le générateur lorsque celui-ci ou vos mains sont mouillés. Ce générateur n'est pas imperméable, il ne doit donc pas être utilisé dans un endroit exposé à la pluie, à la neige ou aux projections d'eau.

Attention : La plupart des moteurs d'appareils nécessitent plus que leur puissance nominale pour le démarrage. Ne dépassez pas la limite de courant spécifiée pour une seule prise.

Le générateur doit être mis à la terre pour éviter les chocs électriques. Veuillez connecter une longueur de fil lourd entre la borne de terre du générateur et un dispositif de terre externe. Veuillez consulter les figures suivantes.

Ne connectez pas d'autres équipements au générateur avant de le démarrer.

Autres points essentiels de sécurité

Sachez comment arrêter rapidement le générateur et comprenez comment utiliser toutes les commandes. Ne permettez jamais à quiconque de faire fonctionner le générateur sans avoir reçu les instructions nécessaires. Portez toujours un casque, des chaussures de sécurité et des vêtements appropriés. Gardez les animaux domestiques et les enfants à l'écart du générateur lorsqu'il est en marche.

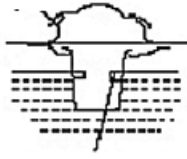


Chargement de la batterie

L'électrolyte de la batterie contient de l'acide sulfurique. Protégez vos yeux, votre peau et vos vêtements. En cas de contact, rincez abondamment à l'eau et consultez rapidement, surtout si vos yeux sont atteints. Les batteries génèrent de l'hydrogène gazeux, qui peut provoquer des flammes ou des étincelles à proximité d'une batterie, en particulier pendant la charge. Chargez la batterie dans un endroit bien ventilé. Lorsqu'un périphérique utilise un générateur à volant d'inertie, ne débranchez pas les connexions de la batterie du moteur, sous peine d'endommager le périphérique.

Préparation avant le départ / Sélection et manipulation du carburant

Réservoir de carburant : seul le carburant diesel léger peut être utilisé. Le carburant doit être filtré. Le carburant doit être exempt d'eau ou de poussière, car ceux-ci provoquent des problèmes au niveau de l'injecteur de la pompe à carburant.



Élément du filtre à air :

Ne pas laver l'élément du filtre à air avec du détergent. Remplacez l'élément lorsque son rendement diminue ou que vous remarquez une mauvaise couleur d'échappement.

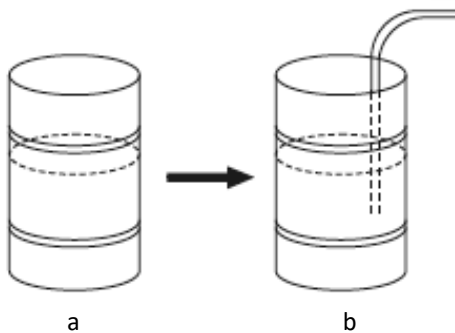
Attention : Ne remplissez pas le réservoir au-delà du haut du bouchon rouge situé à l'intérieur du filtre du réservoir de carburant.

Attention :

- Ne fumez pas et ne laissez pas d'étincelles dans la zone où le moteur est ravitaillé ou dans celle où l'essence est stockée.
- Ne renversez pas de carburant lorsque vous remplissez le réservoir, assurez-vous que le bouchon du filtre est bien fermé.

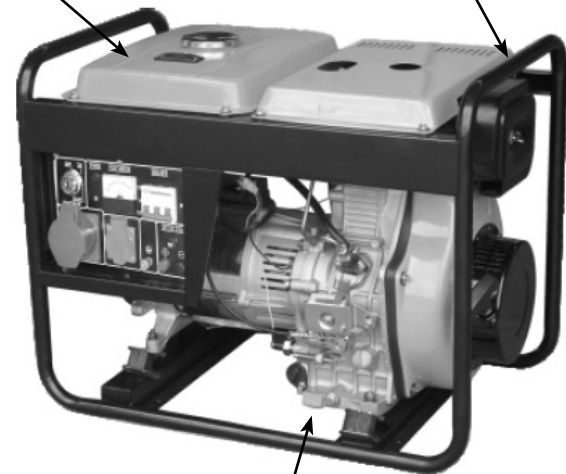
a. Après avoir acheté du carburant. Laissez reposer le bidon pendant 3 à 4 jours.

b. Après 3-4 jours : Introduisez un tuyau d'aspiration à mi-chemin dans le bidon. (L'eau et la poussière s'accumulent dans la partie inférieure du bidon).



a

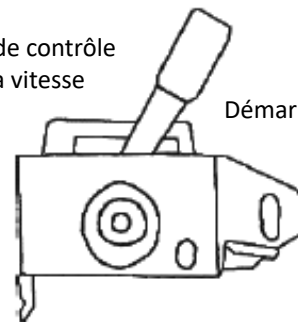
b



Levier de contrôle de la vitesse

Démarrage/Starter

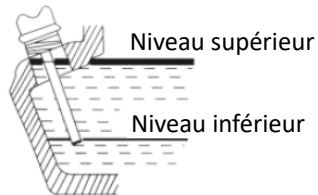
Stop



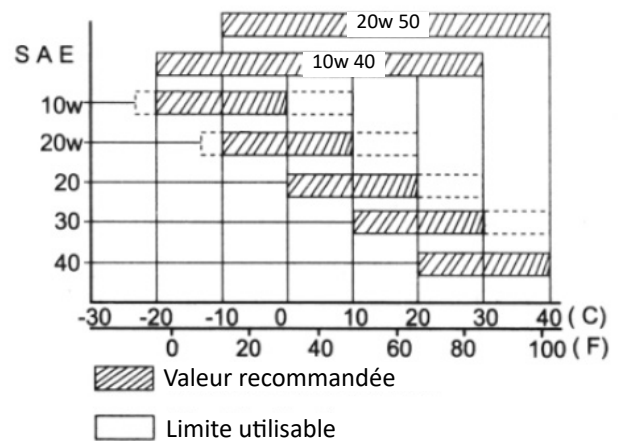
Sélection et manipulation de l'huile de graissage

Entrée de lubrifiant :

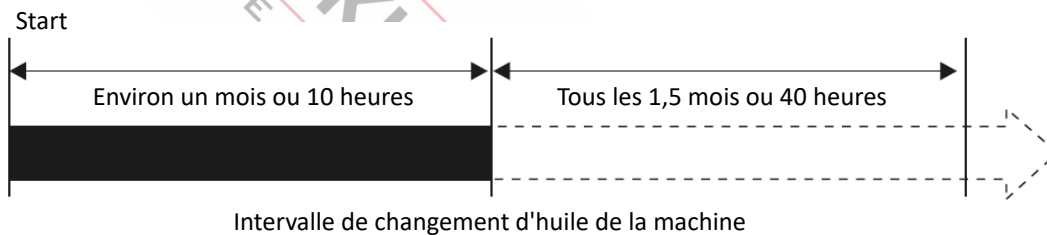
Placez le générateur sur le sol, remplissez l'huile de moteur dans l'entrée de lubrifiant. Pour vérifier le niveau d'huile, il suffit de plonger la jauge dans la cuvette. Ne pas visser la jauge.



Classification d'entretien A.P.I. pour le moteur diesel. Nous recommandons A.P.I. CC ou CD.

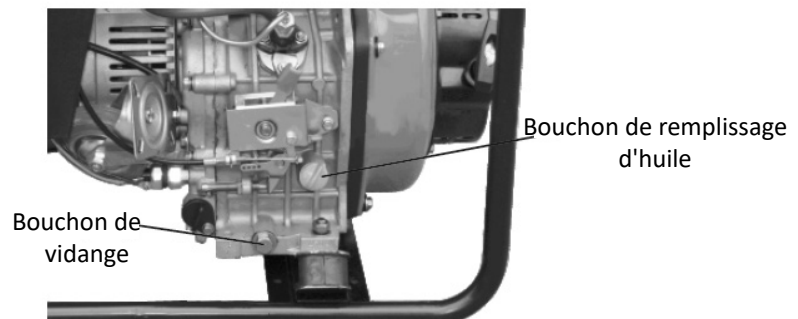


Rien n'affecte plus les performances et la durabilité d'un générateur que l'huile de lubrification que vous utilisez. Si vous utilisez une huile de qualité inférieure ou si l'huile de votre moteur n'est pas changée régulièrement, le risque de grippage du piston, de collage des anneaux de piston et d'usure accélérée de la chemise du cylindre, des roulements et des autres composants mobiles augmente considérablement. La durée de vie de votre générateur peut être sérieusement réduite.



Veillez à vérifier le niveau d'huile et à le remplir d'huile jusqu'au niveau spécifié avant de démarrer le générateur, même s'il est équipé d'un système d'avertissement de basse pression d'huile. Veillez à vidanger l'huile lorsque le moteur est chaud. Il est difficile de vidanger complètement l'huile après refroidissement.

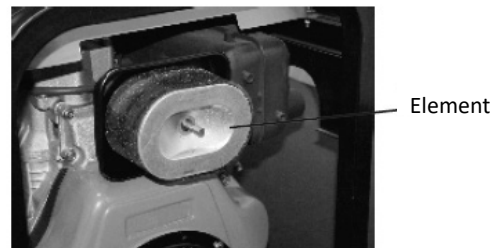
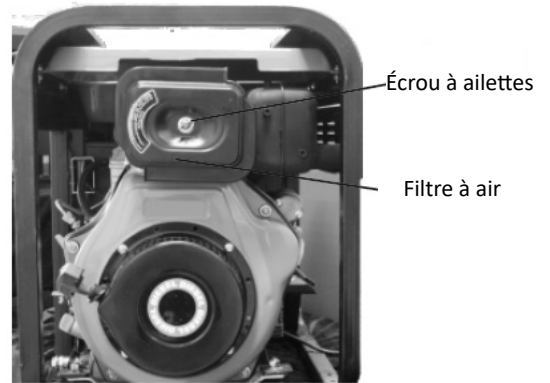
Attention : Ne pas ajouter d'huile dans la machine lorsque le moteur est en marche.



Contrôle de l'élément du filtre à air

(1) Desserrez l'écrou à ailettes, détachez le couvercle du filtre à air et retirez l'élément. Ne pas laver l'élément du filtre à air avec du détergent.

L'élément du filtre à air doit être remplacé lorsque le rendement du moteur diminue ou que la couleur des gaz d'échappement est anormale.



Ne faites jamais fonctionner le générateur sans l'élément du filtre à air. Cela pourrait provoquer une usure rapide du moteur.

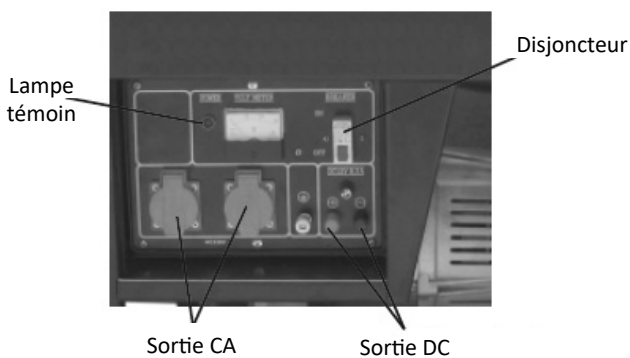
(2) Remettez en place le couvercle du filtre à air et serrez l'écrou à ailettes.

Éteignez l'interrupteur principal et toute autre charge (tels que les interrupteurs de lumière et de moteur)



Contrôle du générateur

Coupez l'interrupteur principal et toute autre charge. (comme les interrupteurs de lumière et de moteur).



Assurez-vous d'éteindre l'interrupteur principal avant de démarrer le générateur. Si l'interrupteur n'est pas sur la position "off", une application soudaine de la charge pourrait être très dangereuse, lorsque le moteur diesel est démarré. Le générateur doit être mis à la terre pour éviter les chocs électriques.

Manipulation d'un générateur à double tension

Fonctionnement de l'interrupteur.

Le disjoncteur du boîtier de commande doit être utilisé lors de l'application du courant alternatif, l'interrupteur d'air doit être placé en position "OFF" avant de faire fonctionner la machine. Après le démarrage du générateur, la vitesse atteint la vitesse nominale, alors mettez l'interrupteur en position "ON", afin que les deux prises puissent être utilisées pour la sortie de la tension nominale.

Placez l'interrupteur principal en position "OFF" lorsque vous utilisez une alimentation de 12 V pour la charge.

La borne de sortie 12V peut être utilisée pour la charge de la tension 12V, l'utilisateur peut fournir un interrupteur de charge pour la mise en marche ou l'arrêt.

Le carburant et l'huile du moteur ont déjà été vidés avant la sortie de l'usine.

Pour vérifier la canalisation d'huile, et trouver s'il y a de l'air mélangé dans la canalisation, si oui, vidangez l'air de la canalisation avant de faire le ravitaillement et de démarrer le moteur diesel. La méthode actuelle consiste à desserrer l'écrou de raccordement entre la pompe d'injection et la conduite, puis à évacuer l'air jusqu'à ce qu'il n'y ait plus de bulles d'air dans le carburant.

Inspection et fonctionnement du moteur diesel

Système d'avertissement/dispositif d'arrêt en cas de manque d'huile.

Ce dispositif fonctionne pour arrêter automatiquement le moteur lorsque la pression d'huile tombe en dessous du niveau réglementaire et pour empêcher le grippage du moteur lorsque l'huile de graissage vient à manquer.

La température de l'huile s'élèvera trop si le moteur fonctionne avec une huile de lubrification insuffisante. D'un autre côté, un excès d'huile est dangereux car l'huile peut brûler et provoquer une augmentation soudaine et excessive du régime du moteur. Avant d'utiliser la machine, assurez-vous de vérifier l'huile et de l'amener au niveau spécifié.

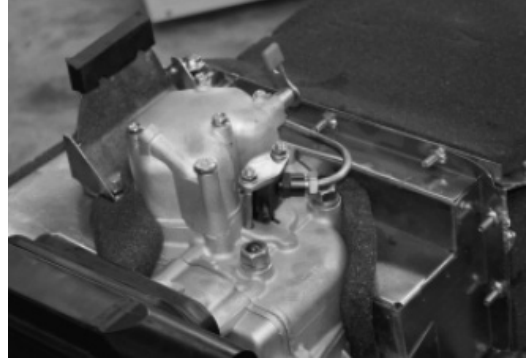
Comment ouvrir la porte de l'armoire et le couvercle (générateur diesel)

(1) Ouvrez la porte de l'armoire, soulevez-la et vérifiez-la quotidiennement.



(2) Desserrez le boulon et ouvrez le couvercle pour examiner le filtre à air.

(3) Pour examiner le couvercle extérieur de la buse, desserrez l'écrou à ailettes et ouvrez le couvercle.



Opération de rodage

Lorsque votre générateur est encore neuf, l'application de charges lourdes peut réduire la durée de vie du moteur. Suivez les procédures de rodage pendant les 20 premières heures.

- (1) Évitez d'appliquer toute charge lourde pendant la période de rodage.
- (2) Changez régulièrement l'huile de moteur.

Changez l'huile de moteur toutes les 10 heures ou un mois après la première utilisation, et tous les 1,5 mois ou 40 heures par la suite.

Mise en marche du générateur

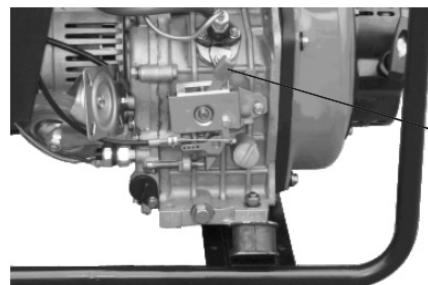
Démarrage à rappel (démarrage manuel)

Le moteur est démarré de la manière décrite ci-dessous.

1. Ouvrez le robinet de carburant (sur la position "ON").
2. Placez le levier de vitesse du moteur sur la position). "RUN".
3. Tirez sur la poignée de démarrage à rappel.



1. Tirez la poignée jusqu'à ce que vos mains sentent une forte résistance, puis ramenez-la à la position initiale.



Levier de vitesse de moteur

2. Poussez le levier de décompression vers le bas. (Il revient automatiquement lorsque le démarreur à rappel est tiré).

3. Tirez énergiquement la poignée du démarreur à rappel avec les deux mains.

Ne laissez pas la poignée se refermer contre le moteur. Ramenez-la doucement pour éviter d'endommager le démarreur, lors du démarrage (ou après le démarrage).

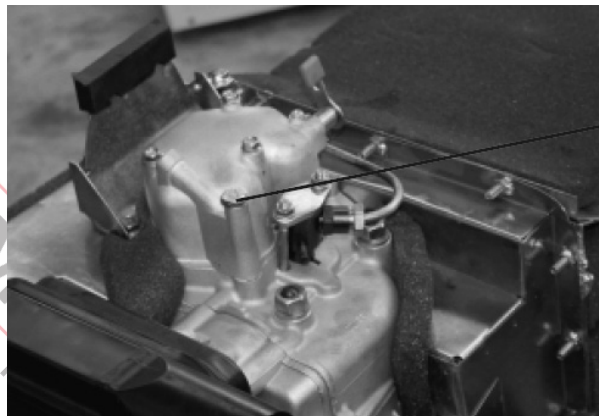
ATTENTION ! Ne tirez jamais la poignée de démarrage lorsque le moteur diesel est en marche, sinon vous risquez d'endommager le moteur.



Levier de décompression

4. Par temps froid, lorsque le moteur diesel est difficile à démarrer, retirez le bouchon du couvercle du culbuteur et ajoutez 2 cc d'huile pour moteur. Remettez le bouchon en place avant de démarrer.

Gardez le bouchon dans le couvercle sauf lorsque vous ajoutez de l'huile, sinon la pluie, la saleté et d'autres contaminants peuvent pénétrer dans le moteur et provoquer une usure accélérée des pièces internes. Cela peut entraîner de graves problèmes.



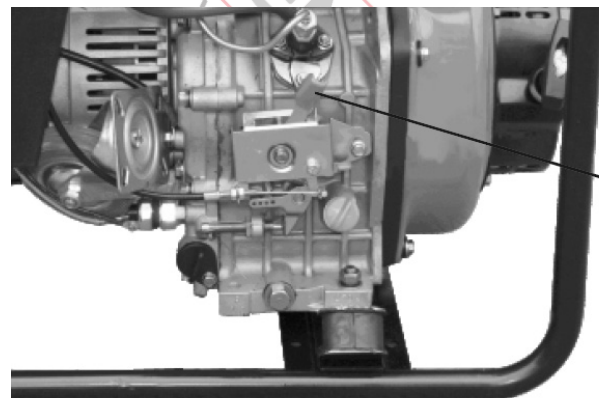
Fiche

Démarrage électrique

1. Démarrage (La préparation du démarrage électrique est la même que celle du démarrage à rappel).

- (1) Ouvrez le robinet de carburant.
- (2) Laissez le levier de vitesse du moteur en position "RUN".
- (3) Tournez la clé de contact dans le sens des aiguilles d'une montre en position "Start".
- (4) Retirez votre main de la clé dès que le moteur démarre et laissez la clé revenir automatiquement en position initiale.
- (5) Si le moteur ne démarre pas après 10 secondes, veuillez attendre environ 15 secondes avant d'essayer de démarrer à nouveau.

Attention : Si le démarrage du moteur prend trop de temps, la batterie sera confrontée à des défaillances. Laissez toujours la clé de contact allumée, en position "ON", lorsque le moteur tourne.

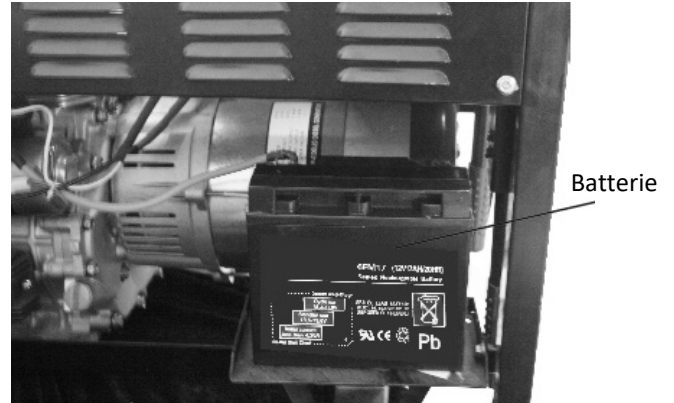


Levier de vitesse du moteur

Batterie

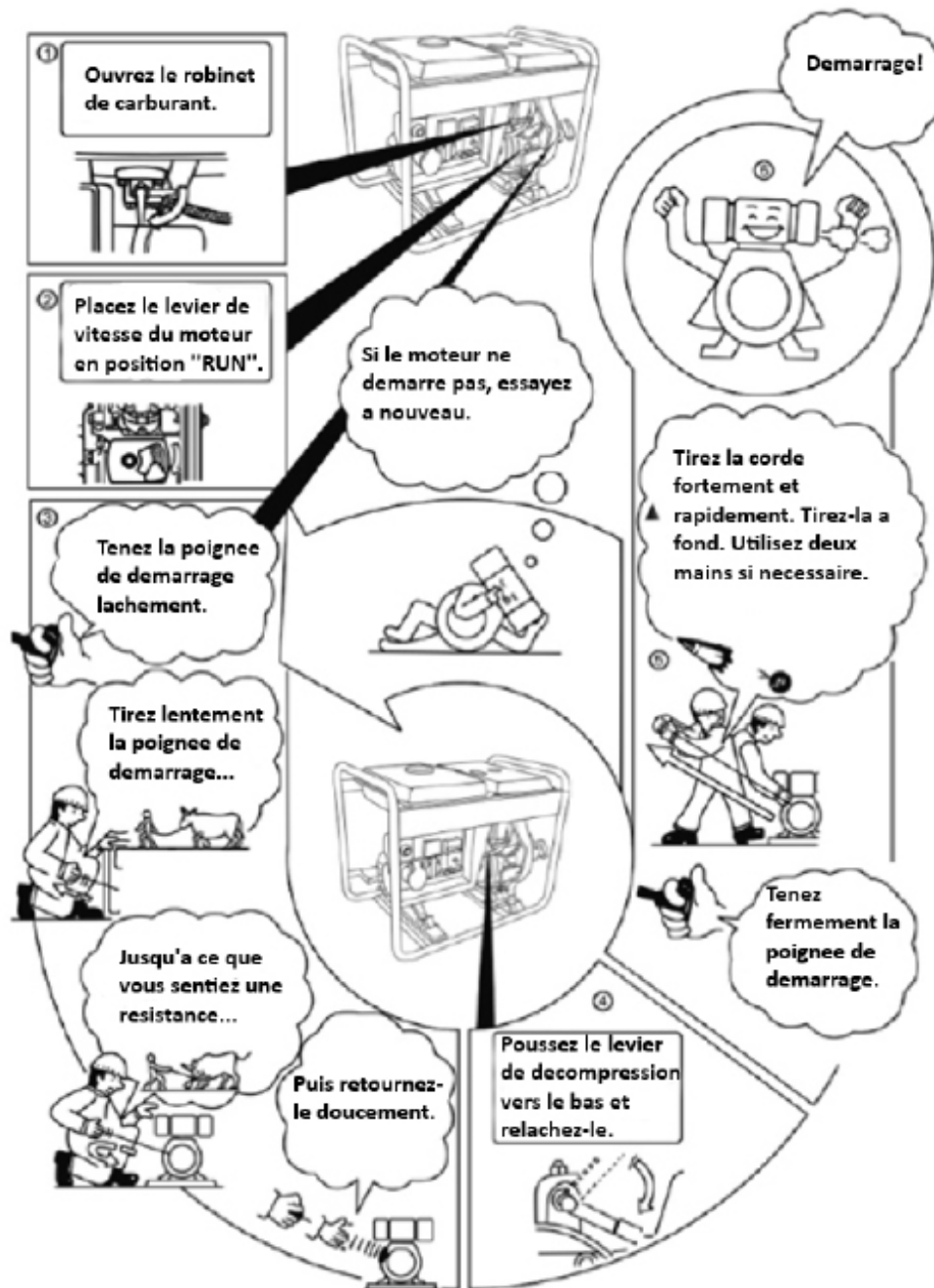
Vérifiez l'état du liquide de la batterie une fois par mois en fonction de la couleur qui apparaît à l'extérieur :

1. Couleur verte, batterie OK
2. Couleur blanche : la batterie doit être chargée
3. Couleur noire : la batterie doit être remplacée.



Séquence de démarrage du générateur

Cette séquence de démarrage ne convient que pour un générateur diesel à châssis ouvert avec démarrage à rappel.





Pour 3 , ne tirez pas la corde trop vite ou trop fort.



Tirez toujours la corde lentement.



Pour 5 , si vous ne tirez pas la corde a fond, le moteur ne demarrera pas.



Pour 5 , si vous ne tirez pas assez fort, le moteur ne demarrera pas.



Tirez toujours la corde a fond.



Tirez toujours la corde a fond et rapidement.



Comment faire fonctionner correctement le générateur

Utilisation de votre générateur

(1) Faites chauffer le moteur sans charge pendant environ 3 minutes.

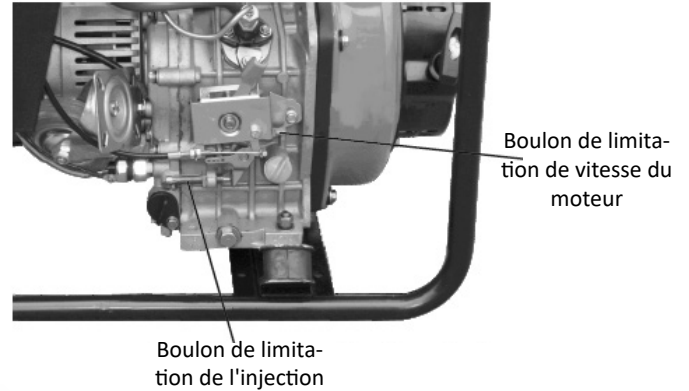
(2) Le générateur est équipé d'un système d'avertissement de manque d'huile. Le moteur s'arrête automatiquement en cas de faible pression d'huile ou de manque d'huile de lubrification. Le moteur s'arrêtera immédiatement s'il est redémarré sans avoir été rempli d'huile de lubrification. Pour vérifier le niveau d'huile et faire l'appoint.

(3) Ne pas desserrer ou réajuster le boulon de limitation de vitesse du moteur ou le boulon de limitation de l'injection de carburant (ils ont déjà été bien ajustés avant la sortie d'usine), sinon les performances peuvent être affectées.

Contrôlez pendant le fonctionnement :

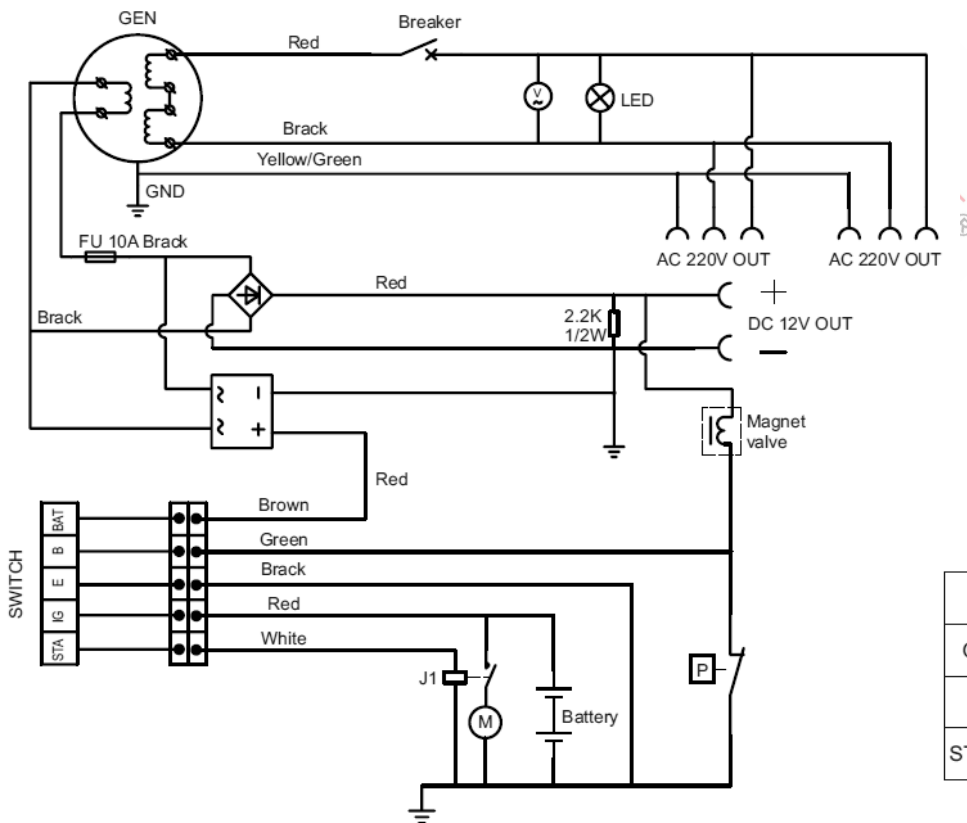
- (1) Un son ou une vibration anormale ?
- (2) Le moteur a des ratés ou fonctionne mal.
- (3) La couleur des gaz d'échappement (est-elle noire ou trop blanche ?).

Si vous remarquez l'un des phénomènes ci-dessus, arrêtez le moteur et consultez votre revendeur le plus proche ou contactez notre société.



Charge

Ajouter la charge selon le paramètre spécifié. Pour le schéma du principe électrique du générateur, veuillez vous référer au dessin suivant.



SWITCH

	IG	BAT	STA	E	B
OFF				○—○	
ON	○—○				
START	○—○	○—○	○—○		

Application CA

- (1) Démarrez le moteur et assurez-vous que la lampe témoin s'allume. Si ce n'est pas le cas, le filament peut être brûlé.
- (2) La vitesse du générateur doit atteindre la vitesse nominale (levier en haut). Pour la vitesse nominale du générateur, veuillez vous référer aux spécifications et paramètres techniques principaux dans la section correspondante du chapitre.
- (3) Le générateur peut être chargé lorsque l'indicateur du voltmètre indique 230(+/-10%) (50Hz) sur le panneau du boîtier de commande.
- (4) Branchez l'appareil.

Attention : Ne pas démarrer deux ou plusieurs machines simultanément. Démarrez-les une par une. N'utilisez pas les projecteurs avec d'autres machines.

(5) Assurez-vous que tous les appareils sont en bon état de fonctionnement avant de les connecter au générateur. Si un appareil commence à fonctionner anormalement, devient lent ou s'arrête soudainement, éteignez immédiatement le générateur. Débranchez ensuite l'appareil et examinez-le pour détecter tout signe de dysfonctionnement. Si la surcharge du circuit déclenche le protecteur de circuit CA, réduisez la charge électrique sur le circuit et attendez quelques minutes avant de reprendre le fonctionnement. Si l'indication du voltmètre est trop basse ou trop élevée, arrêtez l'appareil et examinez-le pour trouver la cause du dysfonctionnement.

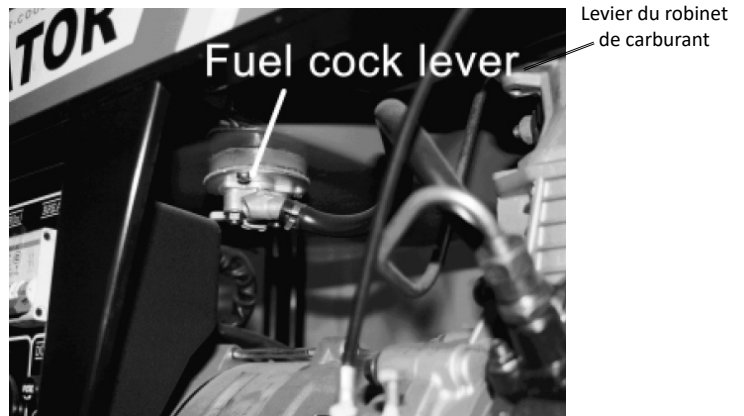
Application CC

La borne CC ne peut être utilisée que pour charger des batteries de type automobile de 12 volts. (1) Lorsque vous utilisez des batteries de type automobile avec des câbles de batterie, assurez-vous de débrancher le câble de batterie du pôle négatif de la batterie avant de la charger. (2) Démarrez le moteur. (3) Connectez le câble de charge aux bornes de la batterie et aux bornes CC du générateur. Connectez la borne positive de la batterie à la borne positive du générateur. N'inversez pas les câbles de charge, sous peine d'endommager sérieusement le générateur et/ou la batterie. Ne laissez pas les extrémités libres du câble se toucher. Si cela se produit, la batterie sera court-circuitée. Lorsqu'une batterie de grande capacité est chargée, un courant excessif circule (la valeur varie en fonction de la condition de décharge), et le fusible pour le courant continu brûlera. (4) Les batteries produisent des gaz explosifs. Maintenez les étincelles, les flammes et les cigarettes à bonne distance. Pour éviter la possibilité de créer une étincelle près de la batterie, connectez toujours les câbles de charge à la batterie d'abord et seulement ensuite au générateur. Lors de la déconnexion, vous devez d'abord débrancher les câbles au niveau du générateur. (5) Chargez la batterie dans un endroit bien ventilé. Avant de charger, retirez le bouchon de chaque cellule de la batterie. Arrêtez la charge si la température de l'électrolyte dépasse 45°C.

Attention : N'essayez pas de démarrer un moteur d'automobile lorsque le générateur est encore connecté à la batterie. N'utilisez pas le courant continu 12 volts et le courant alternatif en même temps.

Arrêt du générateur

Veillez garder à l'esprit que pour arrêter (ainsi que pour démarrer) le générateur BGB9000, vous devez suivre attentivement les directives initiales. L'arrêt et le démarrage du BGB9500 se font simplement par l'interrupteur respectif, aucune autre explication détaillée n'est nécessaire.



Contrôles périodiques et procédure d'entretien

Un contrôle et un entretien périodiques sont très importants pour maintenir le moteur en bon état et durable. Le générateur est composé d'un moteur diesel, d'un alternateur, d'un boîtier de commande et d'un châssis, etc. Veuillez lire la description détaillée du manuel d'utilisation de chaque pièce.

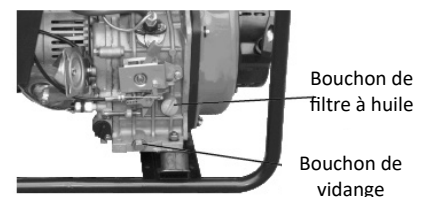
Arrêtez le moteur avant d'effectuer toute opération d'entretien. Si le moteur doit tourner, assurez-vous que la zone est bien ventilée. L'échappement contient du monoxyde de carbone, un gaz toxique. Après l'utilisation du moteur, nettoyez-le immédiatement avec un chiffon pour éviter la corrosion et éliminer les sédiments.

Élément	Période de service régulière	Contrôle quotidien	Premier mois ou 10 heures	Tous les 3 mois ou 100 heures	Tous les 4,5 mois ou 200 heures	Chaque année ou 1000 heures
Contrôle et remplissage de carburant		○				
Vidange du réservoir de carburant F.O.			○			
Contrôle et remplissage de l'huile de lubrification		○				
Contrôler les fuites d'huile		○				
Contrôlez et serrez chaque pièce du moteur		○			● (serrer les boulons à tête)	
Changer l'huile de lubrification			○ (1ère fois)	○ (2ème et suivantes)		
Nettoyer le filtre à huile				○ Nettoyer	○ (Remplacer)	
Remplacement de l'élément du filtre à air		Entretien plus fréquent en cas d'utilisation dans des zones poussiéreuses			○ (Remplacer)	
Remplacer le filtre à carburant		toutes les 100 heures au maximum				
Examinez la pompe d'injection de carburant					●	
Vérifier la buse d'injection de carburant					●	
Contrôlez le tuyau de carburant					● (remplacer si nécessaire)	
Régler le jeu des soupapes d'admission et d'échappement					● (1ère fois)	
Soupapes d'admission et d'échappement						●
Remplacer les segments de piston						●
Contrôlez le liquide de la batterie		(Mensuellement)				

"○" Le tableau ci-dessus indique les contrôles à effectuer et à quel moment les effectuer, la marque (●) indique que des outils et des compétences spécifiques sont nécessaires, consultez votre revendeur.

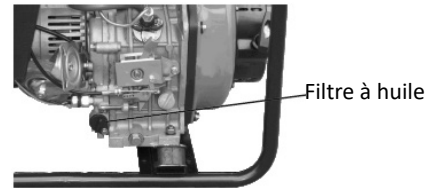
Vidange de l'huile moteur (toutes les 100 heures)

Retirez le bouchon de remplissage d'huile. Retirez le bouchon de vidange et vidangez l'huile usagée pendant que le moteur est encore chaud. Le bouchon est situé sur la partie inférieure du bloc de cylindres. Serrez le bouchon de vidange et remplissez à nouveau avec l'huile recommandée.



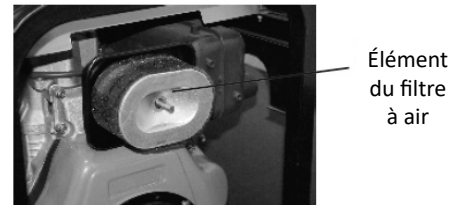
Nettoyage du filtre à huile

- Nettoyez le filtre à huile tous les 4 mois ou toutes les 200 heures de fonctionnement.
- Remplacez-le si nécessaire.



Remplacement de l'élément du filtre à air

Ne lavez pas la cartouche du filtre à air avec un détergent car il s'agit d'une cartouche sèche. Remplacez la cartouche du filtre à air tous les 6 mois ou 300 heures (ou plus tôt si elle est sale). **ATTENTION** : Ne démarrez jamais le moteur sans la cartouche ou avec une cartouche défectueuse. Remplacez la cartouche à temps.



Remplacement du filtre à carburant

Le filtre à carburant doit également être nettoyé régulièrement pour garantir un rendement maximal du moteur.

- (1) Vidangez le carburant du réservoir de carburant.
- (2) Desserrez les petites vis du robinet de carburant et retirez le filtre du réservoir de carburant. Lavez soigneusement le filtre avec du gazole, retirez le contre-écrou, le bouchon et les disques diffuseurs et nettoyez le dépôt de carbone.

- Remplacez le filtre toutes les 100 heures.

Remarque : Le serrage des boulons de culasse (voir le manuel du moteur diesel) nécessite un outil spécial. N'essayez pas de le faire vous-même.

Contrôle de l'injecteur, de la pompe d'injection, etc.

- (1) Réglage du jeu de la tête de soupape pour les soupapes d'admission et d'échappement.
- (2) Rodage des soupapes d'admission et d'échappement.
- (3) Remplacement du segment de piston.

Toutes ces opérations nécessitent des outils et des compétences spécifiques. N'effectuez pas le test de la buse d'injection à proximité d'un feu ouvert ou de tout autre type de feu. Le jet de carburant peut s'enflammer. N'exposez pas la peau nue au jet de carburant. Le carburant peut pénétrer dans la peau et provoquer des blessures corporelles. Tenez toujours votre corps éloigné de la buse.

Inspection et remplissage du liquide de batterie et charge de la batterie

Ce moteur diesel utilise une batterie de 12V. La charge et la décharge continues de la batterie entraînent une perte de liquide. Avant de démarrer, vérifiez que la batterie n'est pas endommagée. Si vous constatez des dommages réels, remplacez la batterie.

Stockage de longue durée

Si votre générateur doit être stocké pendant une longue période, les préparatifs suivants doivent être effectués.

- Faites fonctionner le moteur diesel pendant environ 3 minutes, puis arrêtez-le.
- Arrêtez le moteur diesel lorsqu'il est encore chaud, videz l'ancien lubrifiant du moteur diesel, puis remplissez le nouveau.
- Retirez le bouchon du couvercle du moteur diesel et ajoutez 2 ml de lubrifiant dans le cylindre, puis remettez le bouchon à sa place initiale.
- Entretien de la position de démarrage
 - (1) Démarrage manuel: Appuyez sur la poignée de réduction de pression (position de non-compression), tirez la poignée de recul 2 à 3 fois. (Ne pas démarrer le moteur diesel).
 - (2) Démarrage électrique: Lorsque la poignée de démarrage est en position de non-compression, faire fonctionner le moteur diesel pendant 2 à 3 secondes. Lorsque l'interrupteur est en position de démarrage, ne pas démarrer le moteur diesel.
- Tirez la poignée de réduction de la pression, tirez lentement le démarreur à rappel. Lorsque vous sentez la rapidité, arrêtez de tirer. (À ce moment, les soupapes d'admission et d'échappement sont fermées, ce qui permet d'éviter la rouille).
- Nettoyez-le et stockez-le dans un endroit sec.

Maintenance et remèdes pour le groupe électrogène

	CAUSE	SOLUTION
Le moteur diesel ne peut pas démarrer	Le carburant est insuffisant	Ajouter du carburant diesel
	L'interrupteur n'est pas sur la position "ON".	Tournez-le sur la position "ON".
	La pompe à haute pression et le bec d'huile ne peuvent pas injecter d'huile ou la quantité d'huile est insuffisante.	Retirer le gicleur d'huile et le réparer sur la table de contrôle.
	Le levier de commande de la vitesse n'est pas en position "RUN".	Mettez le levier de commande en position "RUN".
	Contrôlez le niveau de lubrifiant	Le niveau d'huile spécifié doit se situer entre le niveau supérieur "H" et le niveau inférieur "L".
	La vitesse et la force pour tirer le démarreur à rappel ne sont pas suffisantes.	Démarrez le moteur diesel conformément aux exigences de la procédure de démarrage.
	Le bec d'huile est sale	Nettoyer le bec d'huile
	La batterie est déchargée ou ne fonctionne pas.	Chargez-la ou remplacez-la par une nouvelle
Le générateur ne fonctionne pas	L'interrupteur principal est fermé.	Mettez l'interrupteur principal sur la position "ON".
	Le contact de la prise n'est pas bon	Ajuster la prise
	La vitesse nominale du générateur ne peut être atteinte	Ajustez-le en fonction des besoins

Lors du soudage, si le courant électrique est trop important pour le processus de soudage spécifique, ou si le moteur est arrêté par une surcharge pendant le soudage, des dommages ou un court-circuit pourraient être causés par le régulateur du AVR. Si aucun courant électrique n'est généré, amenez le générateur diesel chez votre revendeur ou dans un centre de service agréé.

- Autres questions et problèmes -

Si vous avez des questions ou des problèmes lors de vos opérations, veuillez contacter notre société ou notre revendeur et fournir les informations suivantes :

(1) Le type de groupes électrogènes diesel, le n° et le type de moteur diesel et le n° et le type de générateur.

(2) Statut

Quel problème a été rencontré lors du fonctionnement et expliquez à quelle vitesse il fonctionne.

(3) Durée de fonctionnement

(4) Les autres conditions détaillées, par exemple, quand le problème a eu lieu et à quelle fréquence, etc.

APPENDICE

1. Liste des accessoires et des pièces de remplacement de cette machine

No.	Nom	Unité	Qté	Remarques
1	Générateur diesel	Set	1	
2	Kit	Pièce	1	
3	Couvercle en plastique	Pièce	1	
4	Certificat de qualité	Pièce	1	

2. Documents techniques

No.	Nom	Unité	Qté	Remarques
1	Manuel du générateur et du moteur diesel	Set	1	

3. Kit de pièces de rechange (option)

No.	Nom	Unité	Qté	Remarques
1	Clé 8-10	Set	1	
2	Clé 12-14	Pièce	1	
3	Clé 17-19	Pièce	1	
4	Vis	Pièce	1	
5	Sac en plastique	Pièce	1	

- ATTENTION -

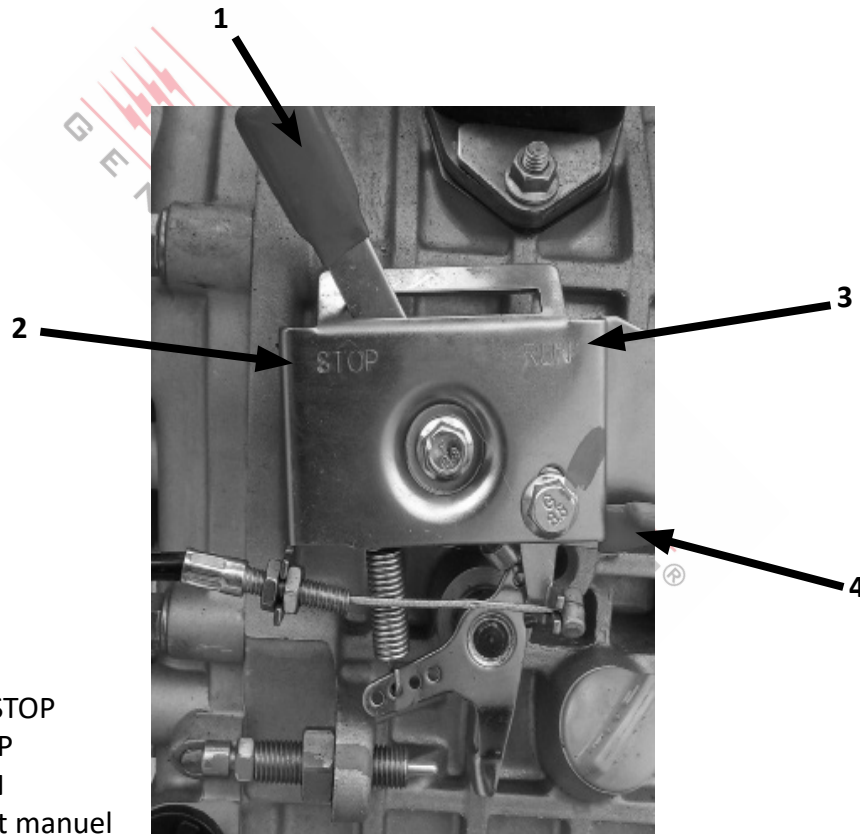
1. Ce produit est uniquement destiné à être utilisé à l'extérieur dans un endroit bien ventilé.
2. Ce produit est destiné à générer de l'électricité.
3. Le produit ne doit pas être utilisé sous terre.
4. Le produit ne doit pas être utilisé dans une atmosphère potentiellement explosive.
5. Le produit ne peut pas être connecté directement à l'alimentation électrique.

NOTE : Lors de l'utilisation du moteur, des protections auditives doivent être portées.

ATTENTION
INSTRUCTIONS DE DÉMARRAGE ET D'ARRÊT POUR LE GROUPE ÉLECTROGÈNE TYPE
GP7000/GP7500/BGB9000

Pour démarrer le générateur diesel, assurez-vous que les étapes suivantes ont été réalisées :

1. a) le réservoir d'huile a été correctement rempli, b) le réservoir de carburant diesel a été suffisamment alimenté en carburant, c) la batterie a été correctement connectée.
2. Placez le levier RUN-STOP (1) en position RUN (3) (et relâchez-le dès que vous sentez qu'il s'est "enclenché en position" et qu'il reste fermement en place).
3. Nous tournons la clé dans le démarreur jusqu'à ce que le générateur diesel démarre (s'il ne démarre pas dans les 3 - 4 premières secondes, relâchez la clé pendant encore 3 - 4 secondes (afin de protéger le moteur) et essayez à nouveau. Si vous constatez des difficultés de démarrage du groupe électrogène, appuyez sur le décompresseur en même temps que sur le démarreur lors du démarrage du moteur, comme indiqué dans les instructions.



1. Levier RUN-STOP
2. Position STOP
3. Position RUN
4. Levier d'arrêt manuel

Pour arrêter le groupe électrogène diesel :

1. Tourner la clé sur la position OFF et le groupe électrogène s'arrête.
2. Si le groupe électrogène diesel ne s'arrête pas, appuyez sur le levier d'arrêt manuel (4), remarquez que le levier RUN-STOP (1) se déplace sur la position STOP (2) et que le groupe électrogène diesel s'arrête ensuite.

Precauzioni di sicurezza

1. I bambini devono essere tenuti a distanza di sicurezza dal generatore. 2. Non toccare il motore e la marmitta mentre il generatore è in funzione o deve essere abbassato per evitare l'empiosi. Prestare attenzione all'adesivo di avvertimento sul generatore. 3. Le apparecchiature elettriche (compresi i cavi e le spine di collegamento) devono essere in buone condizioni prima dell'avviamento. 4. Il nuovo interruttore deve avere prestazioni, caratteristiche e parametri dello stesso livello del precedente per la sostituzione. 5. A causa delle elevate pressioni meccaniche, è consentito utilizzare solo cavi con guaina in gomma o prodotti di parità. 6. Quando si utilizzano cavi di prolunga o armadi di distribuzione mobili, i cavi con sezione di 1,5 millimetri quadrati non devono essere più lunghi di 60 metri; per la sezione di 2,5 millimetri, i cavi non devono essere più lunghi di 100 metri. 7. Con il motore ad avviamento manuale, occorre evitare il pericolo di un cambio improvviso della direzione di rotazione. 8. In condizioni di lavoro standard, il generatore può caricare solo la potenza nominale. Se le condizioni di lavoro non sono standard, il generatore deve funzionare a una potenza inferiore. Quando la temperatura, l'altitudine e l'umidità sono superiori alle condizioni di lavoro standard della circostanza, il generatore ridurrà la potenza. 9. Prima di procedere al controllo e alla manutenzione del generatore, è necessario arrestare il motore. Smontare la candela e la chiave di avviamento per assicurarsi che il motore non sia avviato in modo improprio. Quindi controllare e mantenere il generatore secondo il calendario di riparazione previsto. 10. Oltre alla manutenzione e alla pulizia giornaliera, il controllo e la regolazione devono essere eseguiti da personale professionale autorizzato e i componenti richiesti devono essere acquistati da loro (contattare i rivenditori locali). 11. La macchina nuova o appena revisionata deve sopportare un periodo di rodaggio di almeno 30 ore; la potenza non deve superare il 75% della potenza nominale.

Introduzione

Questa serie di generatori diesel adotta un motore diesel a iniezione diretta a 4 tempi, di tipo superleggero e raffreddato ad aria, con due modalità di avviamento opzionali (tipo a telaio aperto): avviamento a strappo (manuale) e avviamento elettrico e avviamento solo elettrico per il tipo a telaio chiuso. Sono dotati di un serbatoio del carburante di grande capacità, di un dispositivo di protezione del circuito, di un dispositivo di uscita a doppia tensione CA e CC, di un allarme di bassa pressione dell'olio e di un dispositivo di arresto automatico.

I generatori diesel servono come alimentazione di riserva. Il presente manuale descrive le modalità di funzionamento, manutenzione e assistenza di questi generatori diesel. Prima di utilizzare il gruppo elettrogeno diesel, leggere e comprendere appieno queste istruzioni per garantire un utilizzo e un funzionamento corretti.

Seguire attentamente le istruzioni per mantenere il gruppo elettrogeno diesel nelle migliori condizioni di funzionamento, prolungando al contempo la durata del generatore diesel. In caso di ulteriori domande sul presente manuale o di suggerimenti, si prega di contattare direttamente il nostro rivenditore o il servizio di assistenza autorizzato della nostra azienda.

Apparenza della serie di generatori diesel

Tipo a telaio aperto



Tipo a telaio chiuso



Parametri di base

Il gruppo elettrogeno è in grado di generare la potenza nominale in uscita alle seguenti condizioni:

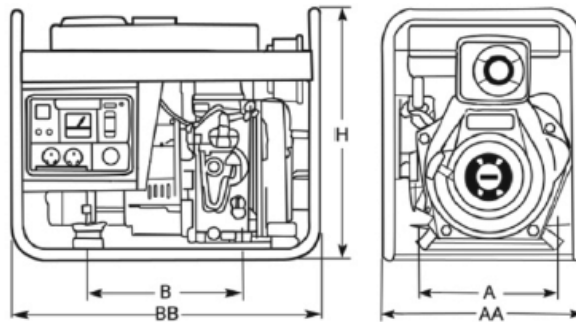
Altitudine (m)	Temperatura ambientale (°C)	Umidità relativa
0	+20	60%

Il gruppo elettrogeno può generare la potenza specificata e funzionare in modo affidabile nelle seguenti condizioni:

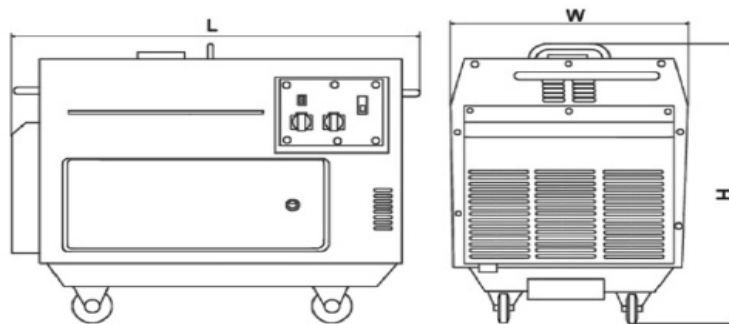
Altitudine (m)	Temperatura ambientale (°C)	Umidità relativa
< 1000 (m)	5 - 40	90%

Schema e dimensioni di installazione

- Schema e dimensioni di installazione del generatore diesel (tipo a telaio aperto)

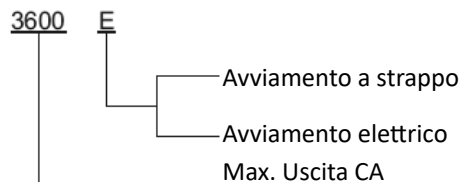


- Schema e dimensioni di installazione del generatore diesel (tipo a telaio chiuso)

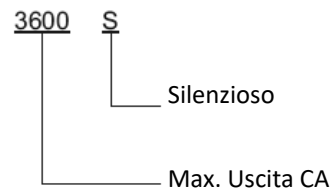


- Tipo e codice del generatore diesel

Tipo a telaio aperto



Tipo a telaio chiuso (silenzioso)



Operazione del generatore diesel

Leggere e comprendere il presente manuale d'uso per garantire un funzionamento sicuro e prestare la massima attenzione ai seguenti punti principali del funzionamento, altrimenti si potrebbero provocare lesioni personali e danni all'apparecchiatura.

Prevenzione degli incendi

Il carburante del motore diesel è gasolio leggero, quindi non è consentito l'uso di benzina, cherosene ecc. Eliminare tutte le fuoriuscite di carburante con un panno pulito. Tenere benzina, cherosene, fiammiferi e altri esplosivi e infiammabili lontano dal generatore, poiché la temperatura intorno alla marmitta di scarico è molto alta durante il funzionamento. Per evitare rischi di incendio e per garantire una ventilazione adeguata, tenere il generatore ad almeno 1,5 metri di distanza da edifici e altre apparecchiature durante il funzionamento. Utilizzare il generatore su una superficie piana; se il generatore è inclinato, può verificarsi una fuoriuscita di carburante.

Prevenzione dell'inalazione dei gas di scarico

I gas di scarico contengono monossido di carbonio velenoso. Non utilizzare mai il generatore in luoghi poco ventilati. Se il funzionamento in ambienti chiusi è inevitabile, provvedere a un'adeguata ventilazione in modo che le persone e il bestiame non ne risentano.

Prevenzione delle ustioni

Non toccare mai la marmitta o il coperchio della marmitta quando il motore è acceso o caldo.

Scosse elettriche e cortocircuiti

Per evitare scosse elettriche o cortocircuiti, non toccare il generatore quando è umido o le mani sono bagnate. Questo generatore non è impermeabile, quindi non deve essere utilizzato in luoghi esposti a pioggia, neve o spruzzi d'acqua.

Attenzione: La maggior parte dei motori degli apparecchi richiede una potenza superiore a quella nominale per l'avvio. Non superare il limite di corrente specificato per ogni singola presa.

Il generatore deve essere collegato a terra per evitare scosse elettriche. Collegare un cavo pesante tra il terminale di terra del generatore e un dispositivo di terra esterno. Vedere le figure seguenti.

Non collegare altre apparecchiature al generatore prima di avviarlo.

Altri punti fondamentali per la sicurezza

Sapere come arrestare rapidamente il generatore e capire come utilizzare tutti i comandi. Non permettere mai a nessuno di utilizzare il generatore senza un'istruzione adeguata. Indossare sempre un casco, scarpe di sicurezza e abiti adeguati, tenere gli animali domestici e i bambini lontani dal generatore quando è in funzione.

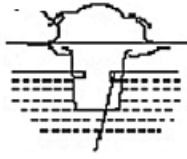


Carica della batteria

L'elettrolita della batteria contiene acido solforico. Proteggere gli occhi, la pelle e gli indumenti. In caso di contatto, sciacquare abbondantemente con acqua e rivolgersi subito a un medico, soprattutto se gli occhi sono affetti. Le batterie generano idrogeno gassoso, che può provocare fiamme o scintille in prossimità della batteria, soprattutto durante la carica. Caricare la batteria in un luogo completamente ventilato. Quando una periferica utilizza un generatore a volano, non scollegare i collegamenti della batteria dal motore, altrimenti la periferica potrebbe subire danni.

Preparazione prima della partenza / Scelta e gestione del carburante

Serbatoio del carburante: è possibile utilizzare solo gasolio leggero. Il carburante deve essere filtrato. Il carburante deve essere privo di acqua e di polvere, poiché queste causano problemi all'ugello della pompa di iniezione.



Attenzione: Non riempire eccessivamente il serbatoio oltre la parte superiore del tappo rosso all'interno del filtro del serbatoio.

Elemento del filtro dell'aria:

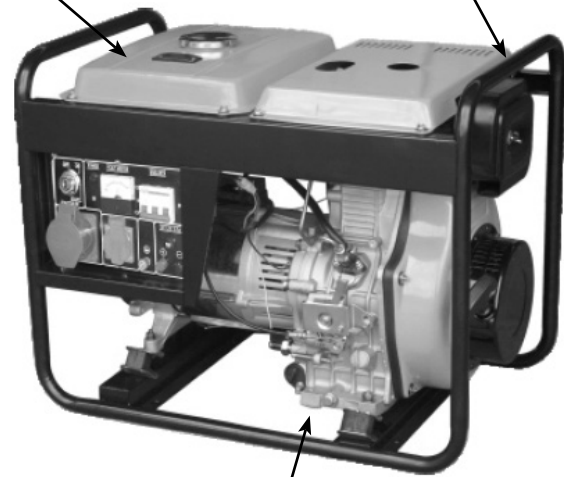
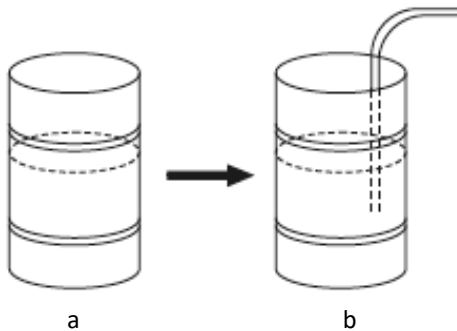
Non lavare l'elemento del filtro dell'aria con detersivi. Sostituire l'elemento quando la sua potenza diminuisce o si nota un cattivo colore dello scarico.

Attenzione:

- Non fumare e non permettere la formazione di scintille nell'area in cui il motore viene rifornito o in cui viene conservata la benzina.
- Non versare il carburante durante il rifornimento e assicurarsi che il tappo del filtro sia ben chiuso.

a. Dopo l'acquisto del carburante, lasciare riposare il fusto per 3-4 giorni.

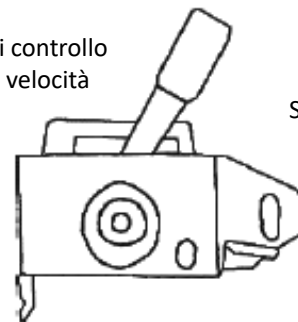
b. Dopo 3-4 giorni: Inserire un tubo di aspirazione a mezza altezza nel fusto. (L'acqua e la polvere si accumulano nella parte inferiore del fusto).



Leva di controllo della velocità

Starter

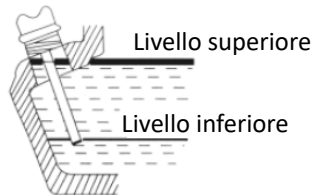
Stop



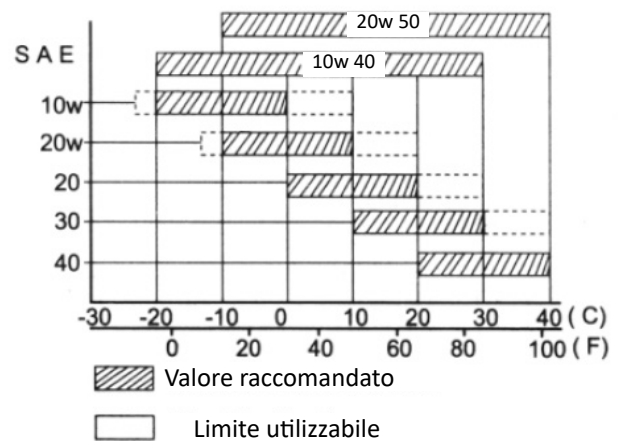
Selezione e gestione dell'olio lubrificante

Ingresso del lubrificante:

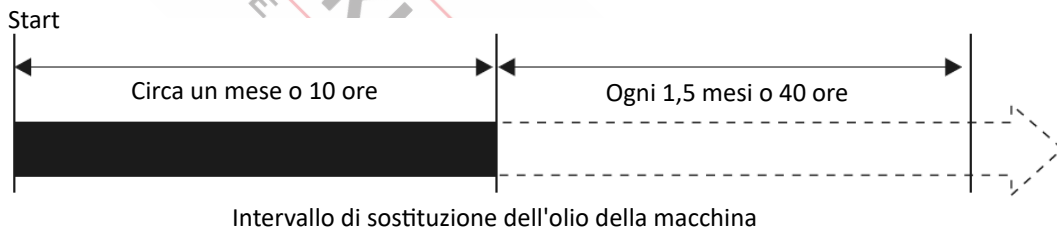
Posizionare il generatore a livello piano, riempire l'olio del motore nel foro del lubrificante. Per controllare il livello dell'olio, è sufficiente immergere l'astina di livello nella vaschetta. Non avvitare l'astina.



Classificazione di manutenzione A.P.I. per il motore diesel. Si consiglia A.P.I. CC o CD.

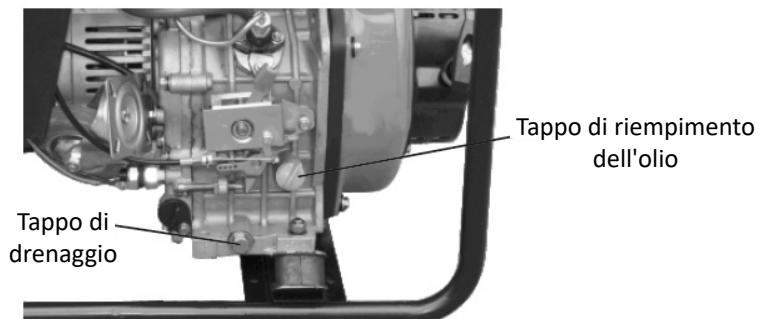


Nulla influisce sulle prestazioni e sulla durata del generatore più dell'olio lubrificante utilizzato. Se si utilizza un olio di qualità inferiore o se l'olio del motore non viene cambiato regolarmente, il rischio di grippaggio del pistone, di incollaggio delle fasce elastiche e di usura accelerata della canna del cilindro, dei cuscinetti e di altri componenti mobili aumenta notevolmente. La vita del generatore potrebbe essere seriamente ridotta.



Assicurarsi di controllare il livello dell'olio e di riempirlo fino al livello specificato prima di avviare il generatore, anche se è dotato di un sistema di avviso di bassa pressione dell'olio. Assicurarsi di scaricare l'olio quando il motore è caldo. È difficile scaricare completamente l'olio dopo il raffreddamento.

Attenzione: Non aggiungere olio alla macchina quando il motore è in funzione.

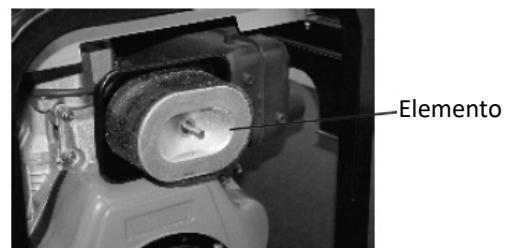
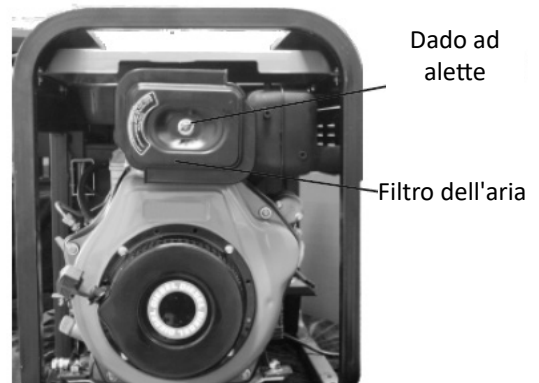


Controllo dell'elemento del filtro dell'aria

(1) Allentare il dado ad alette, staccare il coperchio del filtro dell'aria e rimuovere l'elemento. Non lavare l'elemento del filtro dell'aria con detersivi.

L'elemento del filtro dell'aria deve essere sostituito quando la potenza del motore diminuisce o il colore dello scarico è anormale.

Non far mai funzionare il generatore senza l'elemento del filtro dell'aria. Ciò potrebbe causare una rapida usura del motore.



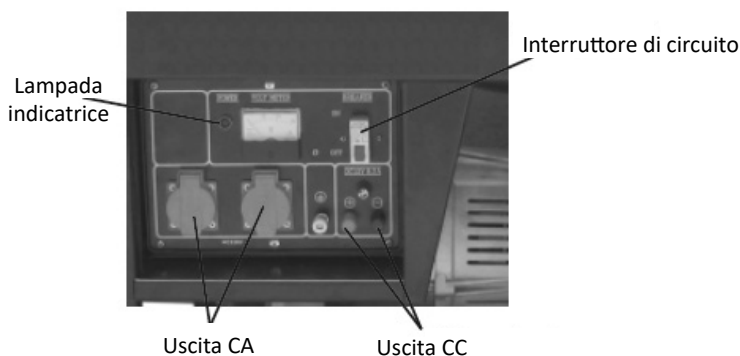
(2) Rimontare il coperchio del filtro dell'aria e serrare il dado ad alette.

Spegnere l'interruttore principale e qualsiasi altro carico (come gli interruttori delle luci e del motore)



Controllo del generatore

Spegnere l'interruttore principale e qualsiasi altro carico (ad esempio gli interruttori della luce e del motore)



Assicurarsi di spegnere l'interruttore principale prima di avviare il generatore. Se l'interruttore non è in posizione "off", l'applicazione improvvisa del carico potrebbe essere molto pericolosa quando il motore diesel viene avviato. Il generatore deve essere collegato a terra per evitare scosse elettriche.

Gestione del generatore a doppia tensione/ Funzionamento del commutatore.

L'interruttore del circuito sulla scatola di controllo deve essere utilizzato quando si applica l'alimentazione CA; l'interruttore dell'aria deve essere impostato sulla posizione "OFF" prima di far funzionare la macchina. Dopo l'avvio del gruppo elettrogeno, la velocità raggiunge la velocità nominale e quindi l'interruttore deve essere posizionato su "ON", in modo che le due prese possano essere utilizzate per l'uscita della tensione nominale.

Posizionare l'interruttore principale su "OFF" quando si utilizza l'alimentazione a 12 V per la carica.

Il terminale di uscita a 12 V può essere utilizzato per la carica a 12 V; l'utente può prevedere un interruttore di carica per l'accensione o lo spegnimento.

Carburante e olio motore già scaricati prima dell'uscita dalla fabbrica.

Per controllare l'oleodotto e scoprire se c'è aria mescolata nell'oleodotto, in caso affermativo, scaricare l'aria dall'oleodotto prima di fare rifornimento e avviare il motore diesel. Il metodo attuale consiste nell'allentare il dado di collegamento tra la pompa di iniezione e l'oleodotto e nel drenare l'aria fino a quando non si formano bolle d'aria nel carburante.

Ispezione e funzionamento del motore diesel

Sistema di segnalazione dell'olio insufficiente/dispositivo di arresto

Il dispositivo funziona per arrestare automaticamente il motore quando la pressione dell'olio scende al di sotto del livello previsto e per evitare il grippaggio del motore quando l'olio lubrificante è insufficiente.

La temperatura dell'olio aumenta troppo se il motore funziona con una quantità insufficiente di olio lubrificante. D'altra parte, una quantità eccessiva di olio è pericolosa perché l'olio può bruciare e causare un aumento improvviso ed eccessivo del numero di giri del motore; pertanto, prima di azionare la macchina, assicurarsi di controllare l'olio e di fornirlo al livello specificato.

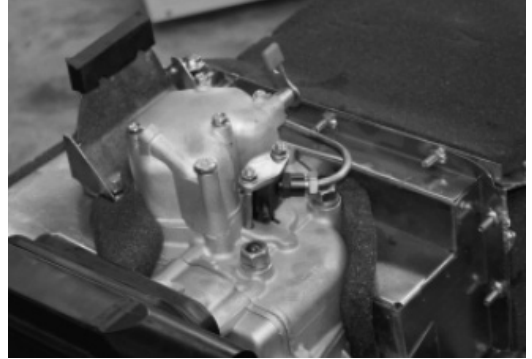
Come aprire lo sportello e il coperchio dell'armadio (generatore diesel)

(1) Aprire lo sportello dell'armadio, sollevarlo e controllarlo quotidianamente.



(2) Allentare il bullone e aprire il coperchio per controllare il filtro dell'aria.

(3) Controllare il coperchio esterno dell'ugello, allentare il dado e aprire il coperchio.



Funzionamento in rodaggio

Quando il generatore è ancora nuovo, l'applicazione di carichi pesanti può ridurre la durata del motore. Seguire le procedure di rodaggio durante le prime 20 ore.

- (1) Evitare di applicare carichi pesanti durante il periodo di rodaggio.
- (2) Cambiare regolarmente l'olio motore.

Cambiare l'olio motore ogni 10 ore o un mese dopo il primo utilizzo, e successivamente ogni 1,5 mesi o 40 ore.

Avviamento del generatore

Avviamento a strappo (avviamento manuale)

Il motore viene avviato nel modo descritto di seguito.

1. Aprire il rubinetto del carburante (in posizione "ON").
2. Mettere la leva del regime del motore in posizione "RUN".
3. Estrarre la maniglia di avviamento autoavvolgente.



1. Estrarre l'impugnatura fino al punto in cui le mani sentono una forte resistenza, quindi riportarla nella posizione iniziale.



Leva del regime del motore

2. Spingere verso il basso la leva di decompressione. (Tornerà automaticamente indietro quando si tirerà l'avviamento a strappo).

3. Tirare con forza l'impugnatura dell'avviamento avvolgente con entrambe le mani.

Non lasciare che l'impugnatura dell'impugnatura scatti contro il motore. Riportarla delicatamente per evitare di danneggiare l'avviatore, durante l'avviamento (o dopo l'avviamento).

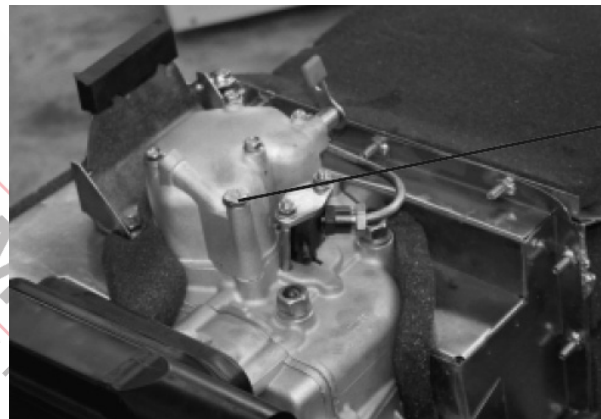
ATTENZIONE ! Non estrarre mai la maniglia di avviamento quando il motore diesel è in funzione, per non danneggiare il motore.



Leva di decompressione

4. A freddo, quando il motore diesel si avvia con difficoltà, rimuovere il tappo dal coperchio del braccio oscillante e aggiungere 2 cc di olio motore. Riposizionare il tappo prima dell'avviamento.

Mantenere la spina nel coperchio tranne quando si aggiunge olio, altrimenti la pioggia, la sporcizia e altri agenti contaminanti potrebbero entrare nel motore e causare un'usura accelerata delle parti interne. Ciò può causare gravi problemi.



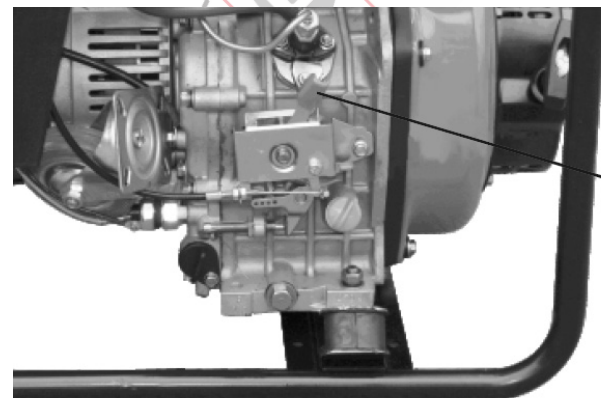
Spina

Avviamento elettrico

1. Avviamento (la preparazione per l'avviamento elettrico è uguale a quella per l'avviamento a strappo).

- (1) Aprire il rubinetto del carburante.
- (2) Lasciare la leva del regime del motore in posizione "RUN".
- (3) Ruotare la chiave di avviamento in modo orario in posizione "Start".
- (4) Allontanare la mano dalla chiave non appena il motore si avvia e lasciarla tornare automaticamente alla posizione iniziale.
- (5) Se il motore non si avvia dopo 10 secondi, attendere circa 15 secondi prima di tentare un nuovo avvio.

Attenzione: Se l'avviamento del motore dura troppo a lungo, la batteria si guasta. Lasciare sempre la chiave di avviamento accesa, in posizione "ON", quando il motore è in funzione.

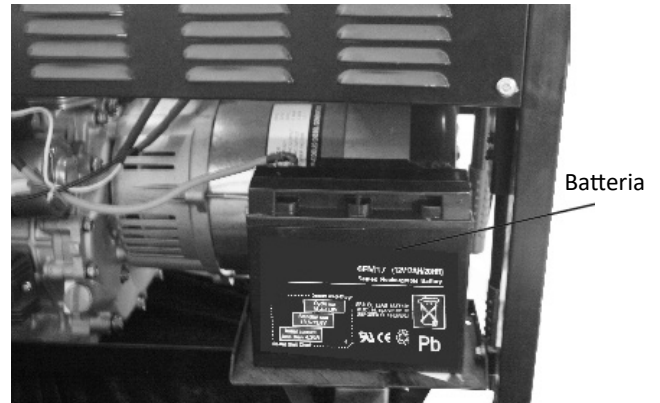


Leva del regime del motore

Batteria

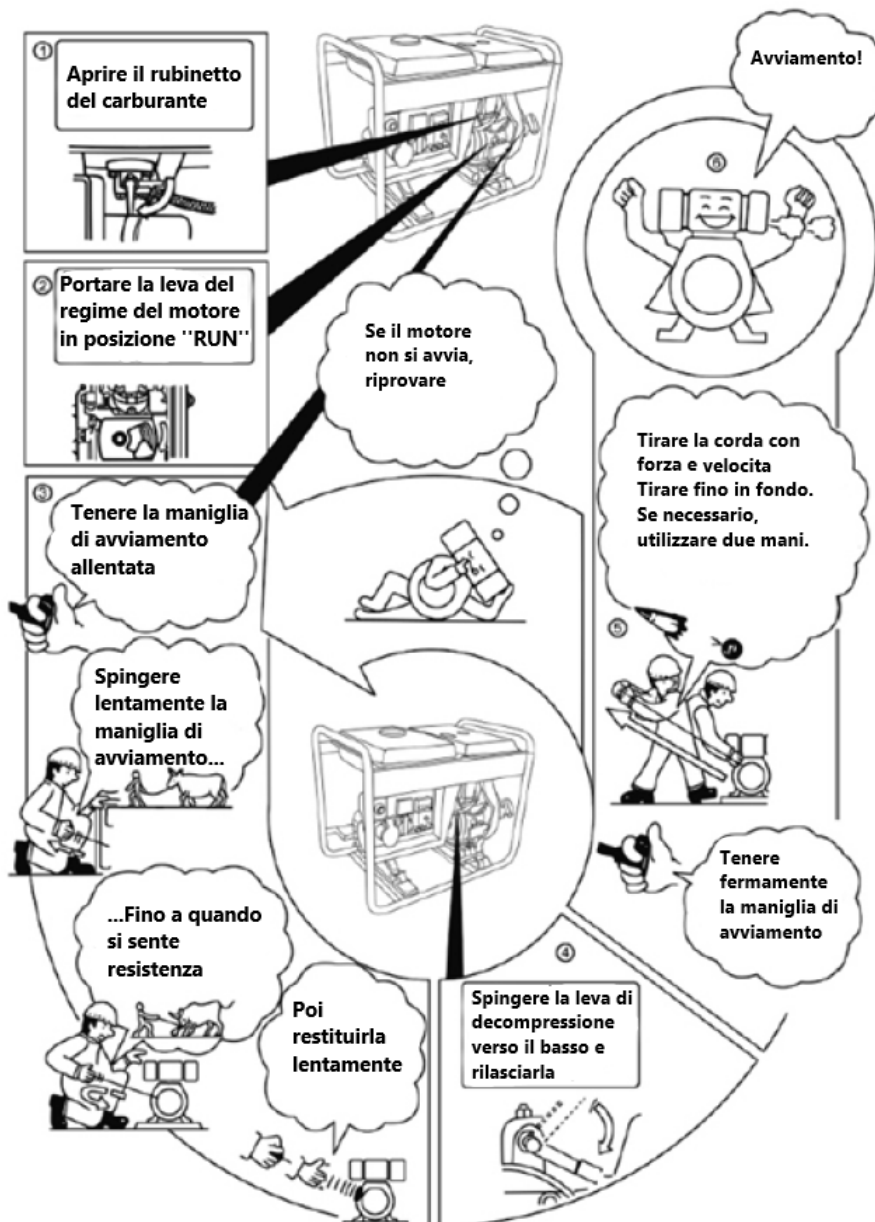
Controllare lo stato del liquido della batteria una volta al mese in base al colore che appare all'esterno:

1. Colore verde, batteria OK
2. Colore bianco, la batteria deve essere caricata
3. Colore nero: la batteria deve essere sostituita.



Sequenza di avviamento del generatore

Questa sequenza di avviamento è adatta solo per l'avviamento a strappo del generatore diesel a telaio aperto.





Per 3, non tirare la corda troppo velocemente o con forza.



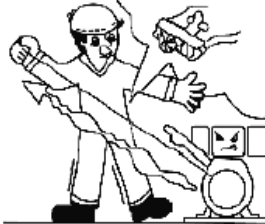
Tirare sempre la corda lentamente.



Per 5, se non si tira la corda fino in fondo, il motore non si avvia.



Per 5, se non si tira abbastanza forte, il motore non si avvia.



Tirare sempre la corda fino in fondo.



Tirare sempre la corda con forza e velocita.



Come far funzionare correttamente il generatore

Funzionamento del generatore

(1) Riscaldare il motore senza carico per circa 3 minuti.

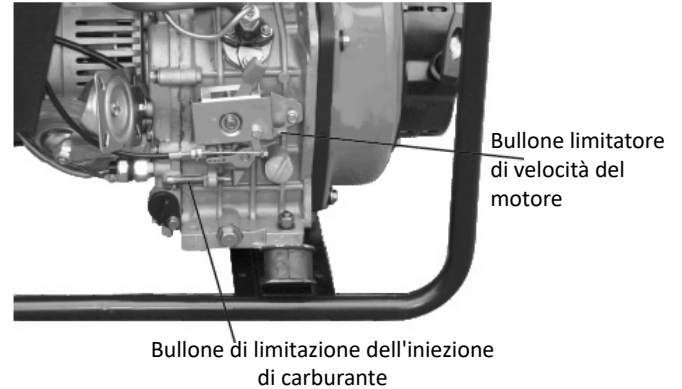
(2) Il generatore è dotato di un sistema di segnalazione di basso livello dell'olio. Il motore si arresta automaticamente in caso di bassa pressione dell'olio o di mancanza di olio lubrificante. Il motore si arresta immediatamente se viene riavviato senza aver rabboccato l'olio di lubrificazione. Controllare il livello dell'olio e rabboccarlo.

(3) Non allentare o regolare nuovamente il limitatore di velocità del motore o il limitatore dell'iniezione di carburante (erano già ben regolati prima della consegna), altrimenti le prestazioni potrebbero essere compromesse.

Controllare durante il funzionamento:

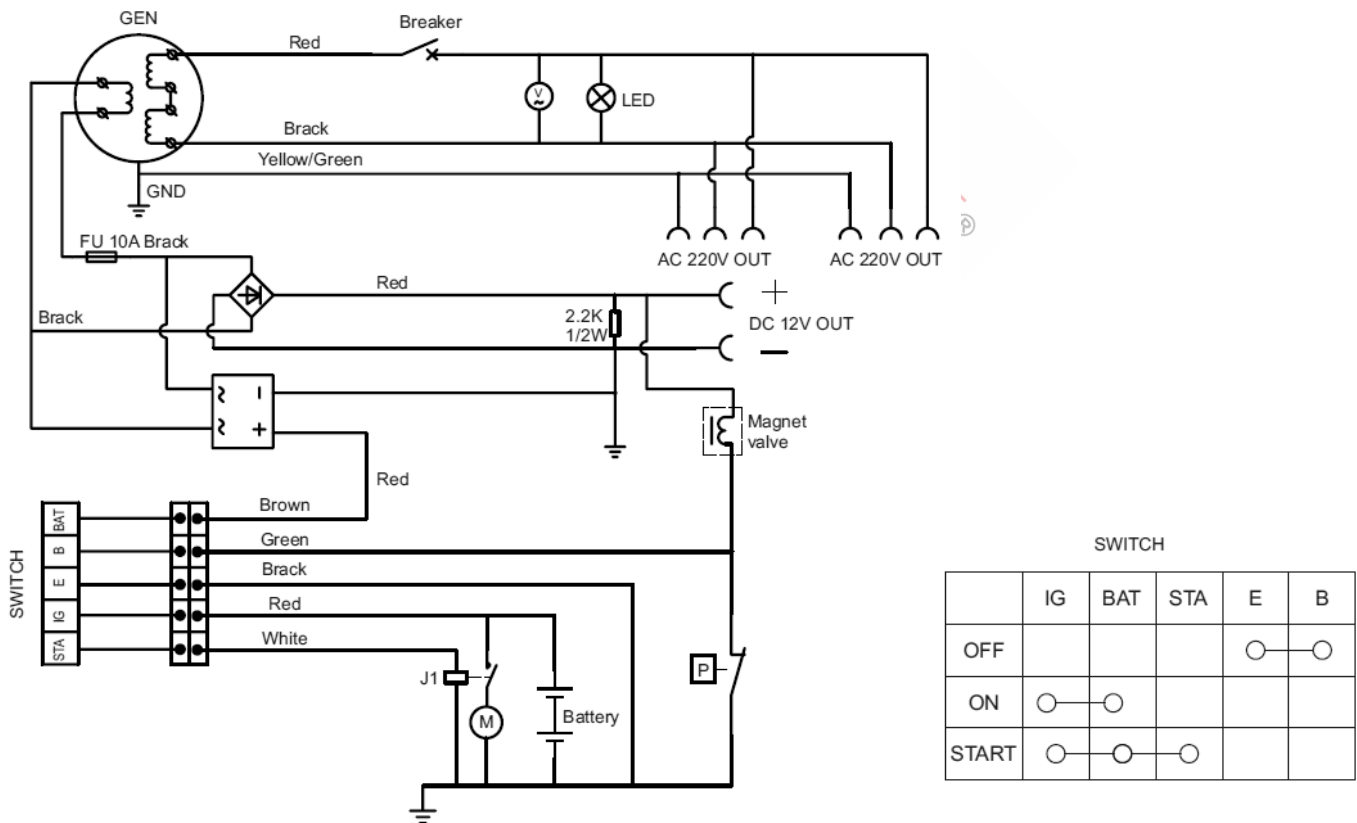
- (1) Si avvertono suoni o vibrazioni anomale?
- (2) Il motore si accende male o funziona male.
- (3) Il colore dei gas di scarico (è nero o troppo bianco?).

Se si nota uno dei fenomeni sopra descritti, arrestare il motore e consultare il rivenditore più vicino o contattare la nostra azienda.



Carico

Aggiungere il carico in base ai parametri specificati. Per il diagramma del principio elettrico del generatore, fare riferimento al disegno seguente.



Applicazione AC

- (1) Avviare il motore e verificare che la lampada spia si accenda. In caso contrario, il filamento potrebbe essere bruciato.
- (2) La velocità del generatore deve raggiungere la velocità nominale (leva in alto). Per la velocità nominale del generatore, consultare le specifiche tecniche e i parametri principali nella sezione del capitolo corrispondente.
- (3) Il generatore può essere caricato quando l'indicatore del voltmetro mostra 230 (+-10%) (50Hz) sul pannello di controllo.
- (4) Collegare l'apparecchio.

Attenzione: Non avviare due o più macchine contemporaneamente. Avviale una alla volta. Non utilizzare i proiettori insieme ad altre macchine.

(5) Assicurarsi che tutti gli apparecchi siano in buone condizioni di funzionamento prima di collegarli al generatore; se un apparecchio inizia a funzionare in modo anomalo, diventa lento o si ferma improvvisamente, spegnere immediatamente il generatore. Quindi scollegare l'apparecchio ed esaminarlo per individuare eventuali segni di malfunzionamento. Se il sovraccarico del circuito fa scattare la protezione del circuito CA, ridurre il carico elettrico sul circuito e attendere qualche minuto prima di riprendere il funzionamento. Se l'indicazione del voltmetro è troppo bassa o troppo alta, arrestare l'apparecchio ed esaminare la causa del malfunzionamento.

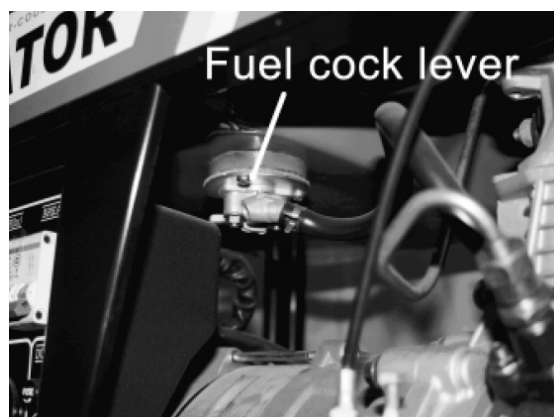
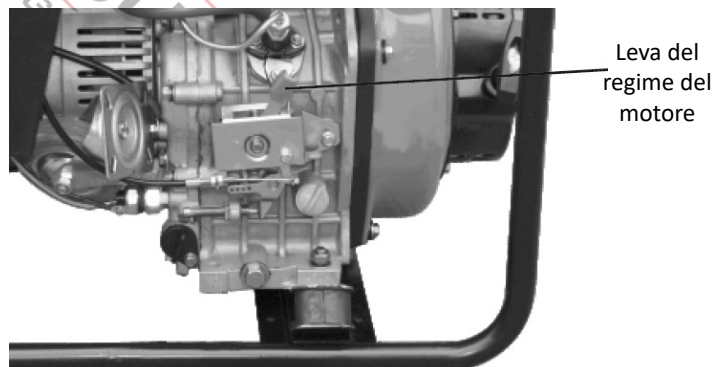
Applicazione CC

Il terminale CC può essere utilizzato solo per caricare batterie di tipo automobilistico da 12 volt. (1) Quando si utilizzano batterie di tipo automobilistico con cavi della batteria, assicurarsi di scollegare il cavo della batteria del polo negativo dalla batteria prima di caricarla. (2) Avviare il motore. (3) Collegare il cavo di carica ai terminali della batteria e ai terminali CC del generatore. Collegare il terminale positivo della batteria al terminale positivo del generatore. Non invertire i cavi di carica, altrimenti si potrebbero verificare gravi danni al generatore e/o alla batteria. Non lasciare che le estremità libere del cavo si tocchino. In caso contrario, si verificerebbe un cortocircuito della batteria. Quando si carica una batteria di grande capacità, scorre una corrente eccessiva (il valore varia a seconda della condizione di scarica) e il fusibile per la corrente continua si brucia. (4) Le batterie producono gas esplosivi. Tenere lontano scintille, fiamme e sigarette. Per evitare che si crei una scintilla vicino alla batteria, collegare sempre i cavi di carica prima alla batteria e solo successivamente al generatore. Quando si scollegano, è necessario scollegare prima i cavi dal generatore. (5) Caricare la batteria in un luogo ben ventilato. Prima della carica, rimuovere il tappo da ogni cella della batteria. Interrompere la carica se la temperatura dell'elettrolito supera i 45°C.

Attenzione: Non tentare di avviare il motore di un'automobile quando il generatore è ancora collegato alla batteria. Non utilizzare contemporaneamente la corrente continua a 12 volt e la corrente alternata.

Arresto del generatore

Tenere presente che per l'arresto (così come per l'avviamento) del generatore BGB9000, è necessario seguire attentamente le indicazioni iniziali. L'arresto e l'avviamento del BGB9500 si effettuano semplicemente tramite il rispettivo interruttore, non sono necessarie ulteriori spiegazioni dettagliate.



Controlli periodici e procedura di manutenzione

Il controllo e la manutenzione periodici sono molto importanti per mantenere il motore in buone condizioni e durevole. Il generatore è composto da motore diesel, alternatore, centralina di controllo e telaio, ecc. Si prega di leggere la descrizione dettagliata del manuale operativo per ogni parte.

Spegnere il motore prima di eseguire la manutenzione. Se il motore deve funzionare, assicurarsi che l'area sia ben ventilata. Dopo l'uso del motore, pulirlo immediatamente con un panno per evitare la corrosione e rimuovere i sedimenti.

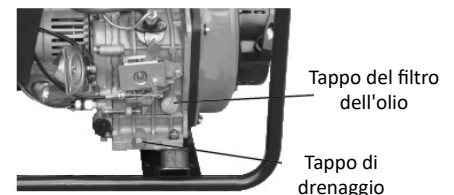
Periodo di servizio regolare	Controllo giornaliero	Primo mese o 10 ore	Ogni 3 mesi o 100 ore	Ogni 4,5 mesi o 200 ore	Ogni anno o 1000 ore
Articolo					
Controllo e rifornimento di carburante	○				
Svuotare il serbatoio del carburante F.O.		○			
Controllo e rifornimento di olio lubrificante	○				
Controllare le perdite d'olio	○				
Controllare e serrare ogni parte del motore	○			● (serrare i bulloni della testa)	
Sostituzione dell'olio lubrificante		○ (1a volta)	○ (2° e successivi)		
Pulire il filtro dell'olio			○ (pulire)	○ (sostituire)	
Sostituzione dell'elemento del filtro dell'aria	Manutenzione più frequente in caso di utilizzo in aree polverose			○ (sostituire)	
Sostituire il filtro del carburante	ogni 100 ore al massimo				
Controllare la pompa di iniezione del carburante				●	
Controllare l'ugello di iniezione del carburante				●	
Controllare il tubo del carburante				● (sostituire se necessario)	
Regolare il gioco delle valvole di aspirazione e di scarico.				● (1a volta)	
Valvole di aspirazione e di scarico a giro					●
Sostituzione delle fasce elastiche					●
Controllare il liquido della batteria	(Mensilmente)				

"○" La tabella sopra riportata indica quali controlli effettuare e quando effettuarli;

"●" indica che sono necessari strumenti e competenze speciali; consultare il rivenditore.

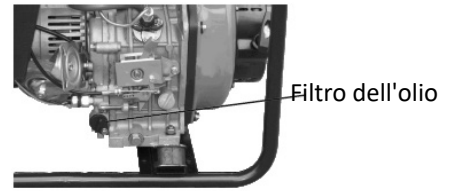
Sostituzione dell'olio del motore (ogni 100 ore)

Rimuovere il tappo di riempimento dell'olio. Togliere il tappo di scarico e scaricare l'olio usato quando il motore è ancora caldo. Il tappo si trova sul fondo del blocco cilindri. Serrare il tappo di scarico e rabboccare con l'olio consigliato.



Pulizia del filtro dell'olio

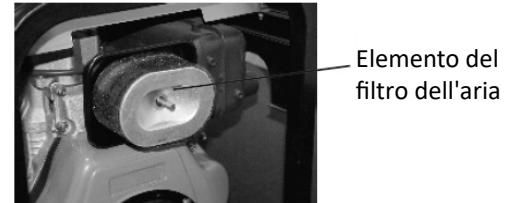
- Pulire il filtro dell'olio ogni 4 mesi o ogni 200 ore di funzionamento.
- Se necessario, sostituirlo.



Sostituzione dell'elemento del filtro dell'aria

Non lavare l'elemento del filtro dell'aria con un detergente perché si tratta di un elemento di tipo secco. Sostituire l'elemento del filtro dell'aria ogni 6 mesi o 300 ore (o prima se sporco).

ATTENZIONE: Non avviare mai il motore senza l'elemento o con un elemento difettoso. Sostituire l'elemento in tempo.



Sostituzione del filtro del carburante

Anche il filtro del carburante deve essere pulito regolarmente per garantire la massima potenza del motore.

- (1) Scaricare l'olio combustibile dal serbatoio del carburante.
- (2) Allentare le piccole viti del rubinetto del carburante ed estrarre il filtro dal serbatoio del carburante. Lavare accuratamente il filtro con gasolio, rimuovere il controdado, il tappo terminale e i dischi diffusori e pulire i depositi carboniosi.

- Sostituire ogni 100 ore

Nota: il serraggio dei bulloni della testa del cilindro (consultare il manuale del motore diesel) richiede un attrezzo speciale. Non provare a farlo da soli.

Controllo dell'ugello di iniezione, della pompa di iniezione, ecc.

- (1) Regolazione del gioco della testa delle valvole di aspirazione e di scarico.
- (2) Lappatura delle valvole di aspirazione e scarico.
- (3) Sostituzione delle fasce elastiche.

Tutte queste operazioni richiedono strumenti e competenze speciali. Non eseguire la prova dell'ugello di iniezione in prossimità di un fuoco aperto o di qualsiasi altro tipo di incendio. Il carburante nebulizzato potrebbe incendiarsi. Non esporre la pelle nuda agli spruzzi di carburante. Il carburante potrebbe penetrare nella pelle e causare lesioni al corpo. Tenere sempre il corpo lontano dall'ugello.

Controllo e rifornimento del liquido della batteria, caricamento della batteria e ricarica della batteria

Questo motore diesel utilizza una batteria da 12 V. Il liquido della batteria si perde a causa delle continue cariche e scariche. Prima dell'avviamento, verificare che la batteria non presenti danni fisici. Se si riscontrano danni effettivi, sostituire la batteria.

Stoccaggio a lungo termine

Se il generatore deve essere immagazzinato per lungo tempo, è necessario effettuare la seguente preparazione.

- Far funzionare il motore diesel per circa 3 minuti e fermarlo.
- Arrestare il motore diesel quando è ancora caldo, scaricare il vecchio lubrificante dell'olio del motore diesel e riempirne uno nuovo.
- Estrarre il tappo dal coperchio del motore diesel e aggiungere 2 ml di lubrificante nel cilindro.
- Manutenzione della posizione di avviamento
 - (1) Avviamento manuale :Premere la maniglia di riduzione della pressione (posizione di non compressione), tirare la maniglia di riavvolgimento 2-3 volte. (Non avviare il motore diesel).
 - (2) Avviamento elettrico :Quando la maniglia di avviamento è in posizione di non compressione, azionare il motore diesel per 2-3 secondi. Quando l'interruttore è in posizione di avvio, non avviare il motore diesel.
- Estrarre la maniglia di riduzione della pressione, tirare lentamente l'avviamento a strappo. Quando si avverte una certa rapidità, interrompere la trazione. (In questo momento la valvola di aspirazione e di scarico è in posizione di chiusura, per evitare la ruggine).
- Pulire e conservare in un luogo asciutto.

Manutenzione e rimedi per il gruppo elettrogeno

	CAUSA	RIMEDIO
Il motore diesel non si avvia	Il carburante non è sufficiente	Aggiungere gasolio
	L'interruttore non è in posizione "ON"	Ruotare in posizione "ON"
	La pompa ad alta pressione e l'ugello dell'olio non riescono a iniettare l'olio o la quantità di olio è insufficiente.	Rimuovere l'ugello dell'olio e ripararlo sul tavolo di prova.
	La leva di comando della velocità non è in posizione "RUN".	Portare la leva di comando in posizione "RUN".
	Controllare il livello del lubrificante	Il livello dell'olio specificato deve essere compreso tra il livello superiore "H" e il livello inferiore "L".
	La velocità e la forza per tirare l'avviamento a strappo non sono sufficienti.	Avviare il motore diesel secondo i requisiti della procedura di avviamento.
	L'ugello dell'olio è sporco	Pulire l'ugello dell'olio
	La batteria è scarica o non funziona	Ricaricarla o sostituirla con uno nuovo
Il generatore non funziona	L'interruttore principale è chiuso	Posizionare l'interruttore principale su "ON".
	Il contatto della presa non è buono	Regolare la presa
	La velocità nominale del generatore non può essere raggiunta	Regolarlo in base alle esigenze

Durante la saldatura, se la corrente elettrica è eccessiva per lo specifico processo di saldatura o se il motore si spegne per sovraccarico durante la saldatura, il danno o il cortocircuito potrebbero essere causati dal danno o dal cortocircuito del regolatore. Se non viene generata corrente elettrica, portare il generatore diesel presso il rispettivo rivenditore o un centro di assistenza autorizzato.

- Ulteriori domande e problemi -

In caso di domande o problemi durante il funzionamento, si prega di contattare la nostra azienda o il nostro rivenditore e di fornire le seguenti informazioni:

(1) Il tipo di gruppo elettrogeno diesel, il numero e il tipo di motore diesel e il numero e il tipo di generatore.

(2) Stato

Quale problema è stato riscontrato durante il funzionamento e spiegare a quale velocità viene utilizzato.

(3) Tempo di funzionamento

(4) Altre condizioni dettagliate, ad esempio quando si è verificato il problema e con quale frequenza, ecc.

APPENDICE

1. Lista degli accessori e delle parti di ricambio di questa macchina

No.	Nome	Unità	Qtà	Osservazioni
1	Generatore diesel	Set	1	
2	Kit	Pezzo	1	
3	Copertura in plastica	Pezzo	1	
4	Certificato di qualità	Pezzo	1	

2. Documenti tecnici

No.	Nome	Unità	Qtà	Osservazioni
1	Manuale dei motori diesel - serie di generatori	Set	1	

3. Kit di parti di ricambio (opzione)

No.	Nome	Unità	Qtà	Osservazioni
1	Chiave 8-10	Set	1	
2	Chiave 12-14	Pezzo	1	
3	Chiave 17-19	Pezzo	1	
4	Vite	Pezzo	1	
5	Sacchetto di plastica	Pezzo	1	

- ATTENZIONE -

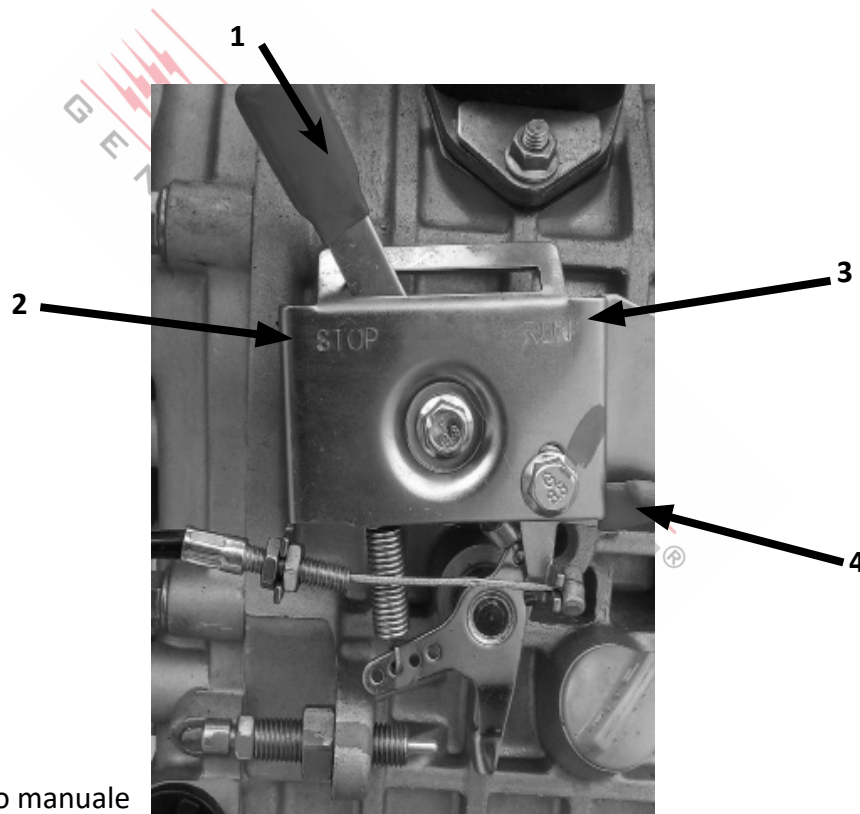
1. Questo prodotto è destinato esclusivamente all'uso all'aperto in un'area ben ventilata.
2. Il prodotto è destinato alla generazione di elettricità.
3. Il prodotto non deve essere utilizzato sottoterra.
4. Il prodotto non deve essere utilizzato in un'atmosfera potenzialmente esplosiva.
5. Il prodotto non può essere collegato direttamente alla rete elettrica.

NOTA: Quando si aziona il motore, è necessario indossare una protezione per le orecchie.

ATTENZIONE
ISTRUZIONI PER L'AVVIO E LO SPEGNIMENTO DEL GRUPPO ELETTROGENO
GP7000/GP7500/BGB9000

Per avviare il generatore diesel, accertarsi che siano state eseguite le seguenti operazioni:

1. a) il contenitore dell'olio sia stato riempito correttamente, b) il serbatoio del gasolio sia stato rifornito in quantità sufficiente, c) la batteria sia stata collegata correttamente.
2. Posizionare la leva RUN-STOP (1) in posizione RUN (3) (e rilasciarla non appena si sente che è "scattata in posizione" e che rimane saldamente in posizione).
3. Girare la chiave nel motorino di avviamento finché il generatore diesel non si avvia (se non si avvia nei primi 3 - 4 secondi, rilasciare la chiave per altri 3 - 4 secondi (per proteggere il motore) e riprovare. Se si notano difficoltà di avviamento del gruppo elettrogeno, premere il decompressore contemporaneamente all'avviamento del motore, come indicato nelle istruzioni.



1. Leva RUN-STOP
2. Posizione STOP
3. Posizione RUN
4. Leva di spegnimento manuale

Per spegnere il gruppo elettrogeno diesel :

1. Girare la chiave in posizione OFF e il gruppo elettrogeno si spegne.
2. Se il gruppo diesel non si spegne, premere la leva di spegnimento manuale (4), notare che la leva RUN-STOP (1) si sposta in posizione STOP (2) e il gruppo diesel si spegne.

Технически данни на дизеловите генератори / Tehnični podatki o dizelskih generatorjih				
Модел	Model	GP7000MP	GP8000MA	GP8000MAT
Номинално напрежение и честота	Nazivna napetost in frekvenca	230 V - 50 Hz	230 V - 50 Hz	230 V/ 400 AC - 50 Hz
Номинална изходна мощност (kW)	Nazivna izhodna moč (kW)	6,2 kVA	6,2 kVA	6,2 kVA
Максимална мощност (kW)	Največja moč (kW)	6,6 kVA	6,6 kVA	6,6 kVA
Напрежение на постоянен ток (волт)	Napetost enosmernega toka (volti)	12	12	12
Регулиране на напрежението	Regulacija napetosti	AVR	AVR	AVR
Тип двигател	Tip motorja	4-тактов, с въздушно охлаждане 4 taktni, zračno hlajeni	4-тактов, с въздушно охлаждане 4 taktni, zračno hlajeni	4-тактов, с въздушно охлаждане 4 taktni, zračno hlajeni
Работен обем (cc)	Prostornina (cc)	418	418	418
Конски сили (hP)	Konjska moč (hP)	10,5	10,5	10,5
Охладителна система	Hladilni sistem	Въздушно охлаждане на двигателя Zračno hlajeni motor	Въздушно охлаждане на двигателя Zračno hlajeni motor	Въздушно охлаждане на двигателя Zračno hlajeni motor
Обем на резервоара за масло (lt)	Prostornina rezervoarja za olje (lt)	1,65	1,65	1,65
Гориво	Gorivo	Dizelsko olje / Дизелово масло	Dizelsko olje / Дизелово масло	Dizelsko olje / Дизелово масло
Обем на резервоара за гориво (lt)	Prostornina rezervoarja za gorivo (lt)	12,5	16	16
Шум на разстояние 7 метра (db(A))	Hrup na razdalji 7 metrov (db(A))	≤ 82	≤ 82	≤ 82
Размери (Д x П x А) (мм)	Dimenzije (D x P x A) (mm)	800 x 520 x 600	880 x 550 x 720	880 x 550 x 720
Тегло (kg)	Teža (kg)	110	150	159
Гнезда	Vtičnice	2 x 16 A, 1 x 12 V DC	2 x 16 A, 1 x 12 V DC	1x16A 230 V, 1x16 400 V, 1x12 V DC
Други характеристики	Druge značilnosti	със стартер, акумулатор / z zaganjalnikom, akumulatorjem	затворен тип / zaprt tip	Затворен тип, трифазен/ Zaprti tip, trifazni

Модел	Model	GP10000MAT	GP14000MAT
Номинално напрежение и честота	Nazivna napetost in frekvenca	230 / 400 AC - 50 Hz	230 V/ 400 AC - 50 Hz
Номинална изходна мощност (kW)	Nazivna izhodna moč (kW)	8,5 kVA	13 kVA
Максимална мощност (kW)	Največja moč (kW)	9 kVA	14 kVA
Напрежение на постоянен ток (волт)	Napetost enosmernega toka (volti)	12	12
Регулиране на напрежението	Regulacija napetosti	AVR	AVR
Тип двигател	Tip motorja	4-тактов, с въздушно охлаждане 4 taktni, zračno hlajeni	4-тактов, с въздушно охлаждане 4 taktni, zračno hlajeni
Работен обем (cc)	Prostornina (cc)	499	954
Конски сили (hP)	Konjska moč (hP)	9	20
Охладителна система	Hladilni sistem	Въздушно охлаждане на двигателя Zračno hlajeni motor	Въздушно охлаждане на двигателя Zračno hlajeni motor
Обем на резервоара за масло (lt)	Prostornina rezervoarja za olje (lt)	1,65	3
Гориво	Gorivo	Dizelsko olje / Дизелово масло	Dizelsko olje / Дизелово масло
Обем на резервоара за гориво (lt)	Prostornina rezervoarja za gorivo (lt)	25	60
Шум на разстояние 7 метра (db(A))	Hrup na razdalji 7 metrov (db(A))	≤ 71	≤ 69
Размери (Д x П x А) (мм)	Dimenzije (D x P x A) (mm)	960 x 560 x 710	1160 x 670 x 940
Тегло (kg)	Teža (kg)	170	300
Гнезда	Vtičnice	1 x 16 A 230 V, 1 x 16 400 V, 1 X 12 V DC	1 x 16 A 230 V, 1 x 16 400 V DC, 1x12 V DC
Други характеристики	Druge značilnosti	Затворен тип, трифазен/ Zaprti tip, trifazni	Затворен тип, трифазен/ Zaprti tip, trifazni

Предпазни мерки за безопасност

1. Децата трябва да се държат на безопасно разстояние от генератора. 2. Не докосвайте двигателя и отработените газове, докато генераторът работи, или просто ги намалете, за да избегнете емпироза. Моля, обърнете внимание на предупредителния стикер върху генератора. 3. Електрическото оборудване (включително кабелът и компонентът за свързване на щепсела) трябва да е в добро състояние преди пускане в действие. 4. Новият прекъсвач трябва да е със същото ниво на работа, характеристики и параметри с предишния за подмяна. 5. Поради високите механични натоварвания е позволено да се използват само кабели с гумена обвивка или паритетни продукти. 6. При използване на удължители или подвижни разпределителни шкафове проводникът със сечение 1,5 квадратни милиметра не трябва да е по-дълъг от 60 метра; за сечение 2,5 милиметра проводникът не трябва да е по-дълъг от 100 метра. 7. При двигател с ръчно стартиране трябва да се предотврати опасността от внезапна промяна на посоката на въртене. 8. При стандартно работно състояние на обстоятелствата генераторът може да се натоварва само на номиналната мощност. Ако работното състояние на обстоятелствата не е стандартно, генераторът трябва да работи с по-ниска мощност. Когато температурата, надморската височина и влажността са по-високи от стандартното работно състояние на обстоятелствата, генераторът би трябвало да намали мощността си. 9. Преди проверка и поддръжка на генератора, двигателят трябва да бъде спрян. Да се демонтира запалителната свещ и ключът за стартиране, за да се уверите, че двигателят няма да бъде стартиран неправилно. След това проверете и поддържайте генератора по планирания календар за ремонт. 10. Освен ежедневната поддръжка и почистване, проверката и пренастройката трябва да се извърши от оторизирано професионално лице и да се снабди с исканите от него компоненти (свържете се с местните дилъри). 11. Новата или току-що ремонтирана машина трябва да издържи период на вработване от поне 30 часа, като мощността не трябва да надвишава 75 % от номиналната мощност.

Въведение

Тази серия дизелови генератори използва свръхлек тип, въздушно охлаждане, 4-тактов дизелов двигател с директно впръскване и има два начина за стартиране като опция (тип отворена рама), т.е. стартиране с намотка (ръчно) и електрическо стартиране и само електрическо стартиране за безшумен тип. Те са оборудвани с резервоар за гориво с голям капацитет, защитна верига, устройство за двойно изходно напрежение AC & DC, аларма за ниско налягане на маслото и устройство за автоматично спиране.

Дизеловите генератори служат за резервно захранване. В това ръководство е описано как да работите, поддържате и обслужвате тези дизелови генератори. Моля, прочетете и разберете напълно тези инструкции, преди да използвате комплекта дизелови генератори, за да осигурите правилното им боравене и експлоатация.

Следвайте внимателно инструкциите, за да поддържате дизеловия генератор в най-добро работно състояние, което същевременно ще удължи експлоатационния живот на дизеловия генератор. Ако имате допълнителни въпроси относно това ръководство или някакви предложения, моля, свържете се директно с нашия дилър или с оторизирания сервизен отдел на нашата компания.

Външен вид на серия дизелови генератори

Тип отворена рамка



Безшумен тип



Основни параметри

Генераторът може да генерира номиналната изходна мощност при следните условия:

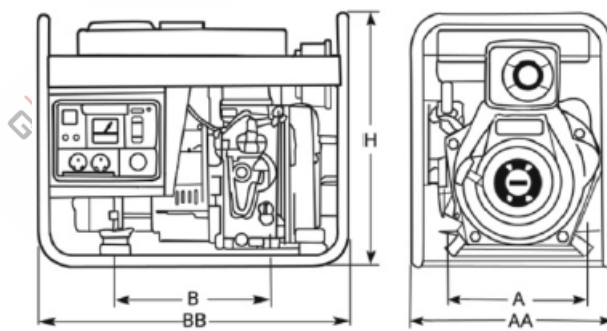
Надморска височина (м.)	Температура на околната среда (°C)	Относителна влажност
0	+20	60%

Генераторната уредба може да генерира определената мощност и да работи надеждно при следните условия:

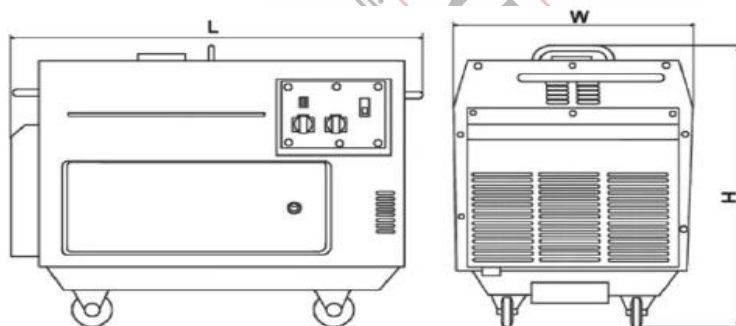
Надморска височина (м.)	Температура на околната среда (°C)	Относителна влажност
< 1000 (м.)	5 - 40	90%

Контур и монтажни размери

- Контур и монтажни размери на дизелов генератор (тип отворена рамка)

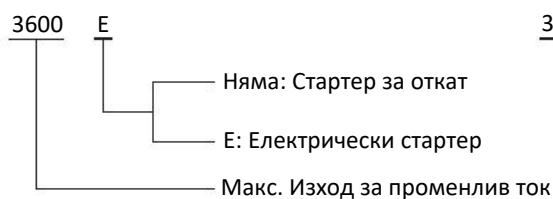


- Контур и монтажни размери на дизелов генератор (безшумен тип)

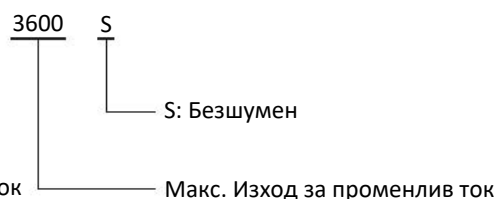


- Тип и код на дизеловия генератор

Тип отворена рамка



Безшумен тип



Операция на дизеловия генератор (генераторна уредба)

Моля, прочетете и разберете това ръководство за експлоатация, за да осигурите безопасна работа, и обърнете голямо внимание на следните основни точки на работа, в противен случай може да се стигне до телесни повреди и повреда на оборудването.

Предотвратяване на пожари

Горивото на дизеловия двигател е лек дизел, така че не трябва да се използват бензин, керосин и др. Избършете всички разливи на гориво с чиста кърпа. Дръжте бензина, керосина, кибрита и други взривни и запалителни вещества далеч от генератора, тъй като температурата около шумозаглушителя е много висока по време на работа. За да предотвратите опасност от пожар и да осигурите подходяща вентилация, по време на работа дръжте генератора на разстояние най-малко 1,5 м от сгради и друго оборудване. Работете с генератора върху равна повърхност, ако генераторът е наклонен, може да има разлив на гориво.

Предотвратяване на вдишването на изгорели газове

Изгорелите газове съдържат отровен въглероден оксид. Никога не използвайте генератора на места с лоша вентилация. Ако работата на закрито е невъзможна, осигурете подходяща вентилация, за да не бъдат засегнати хора и добитък.

Предотвратяване на изгаряния

Никога не докосвайте шумозаглушителя или капака на шумозаглушителя, докато двигателят работи или е горещ.

Електрически удари, къси съединения

За да избегнете токов удар или късо съединение, не докосвайте генератора, когато той или ръцете ви са мокри. Този генератор не е водоустойчив, така че не трябва да се използва на място, изложено на дъжд, сняг или водни пръски.

Внимание: Повечето двигатели на уреди изискват повече от номиналната им мощност за стартиране. Не превишавайте лимита на тока, определен за всеки един контакт.

Генераторът трябва да бъде заземен, за да се предотврати токов удар. Свържете дълъг тежък проводник между заземителната клемма на генератора и външно заземяващо устройство. Моля, вижте следните фигури.

Не свързвайте друго оборудване към генератора, преди да го стартирате.

Други безопасни основни точки

Знайте как да спрете бързо генератора и как да работите с всички контроли. Никога не разрешавайте на никого да работи с генератора без подходящ инструктаж. Винаги носете каска и предпазни обувки и подходящо облекло, дръжте домашните любимци и децата далеч от генератора, когато той работи.

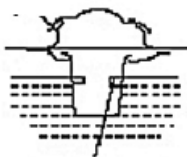


Зареждане на батерията

Електролитът на батерията съдържа сярна киселина. Предпазвайте очите, кожата и облеклото си. В случай на контакт, изплакнете обилно с вода и потърсете незабавна помощ, особено ако очите ви са засегнати. Батериите генерират водороден газ, който може да предизвика пламъци или искри в близост до батерията, особено по време на зареждане. Зареждайте батерията на напълно проветриво място. Когато периферно устройство използва захранване от генератор с маховик, не изключвайте връзките на акумулатора от двигателя, защото в противен случай може да се получи повреда на периферното устройство.

Подготовка преди стартиране / Избор и работа с гориво

Резервоар за гориво: може да се използва само леко дизелово гориво. Горивото трябва да се филтрира. Горивото не трябва да съдържа вода или прах, тъй като те причиняват проблеми в дюзата на горивната помпа.



Елемент на въздухочистача:

Не мийте елемента на въздухоочистителя с почистващ препарат. Заменете елемента, когато мощността му намалее или се забележи лош цвят на въздуха.

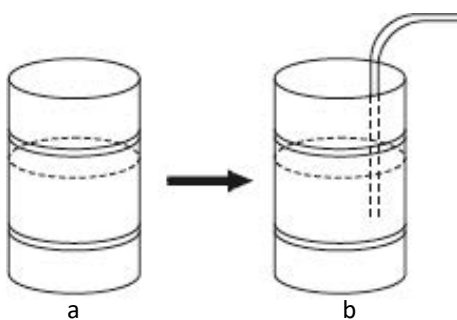
Внимание: Не препълвайте резервоара над горната част на червената тапа във филтъра на резервоара за гориво.

Внимание:

- Не пушете и не допускате искри в зоната, където двигателят се зарежда с гориво или където се съхранява бензин.
- Не разливайте гориво при зареждане, уверете се, че капачката на филтъра е добре затворена.

а. След закупуване на горивото оставете барабана да престои 3-4 дни.

б. След 3-4 дни: Поставете смукателна тръба на половината път в барабана. (Водата и прахта се натрупват в долната част на барабана.)



Лост за управление на скоростта

Стартер/пробег

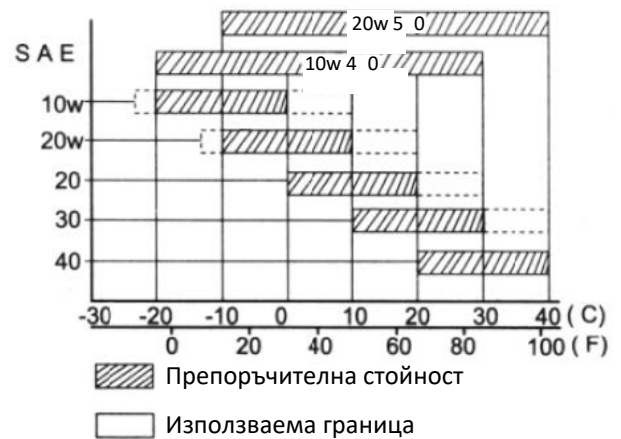
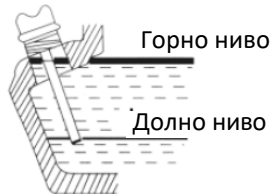
Спрете



Избор и работа със смазочно масло

Вход за смазочен материал:

Поставете генератора на нивото, напълнете моторното масло във входа на смазочния материал. За да проверите нивото на маслото, просто потопете мерителната пръчка в резервоара. Не завивайте мерителната пръчка.



Класификация на поддръжката на дизеловия двигател A.P.I.
Препоръчваме A.P.I. CC или CD.

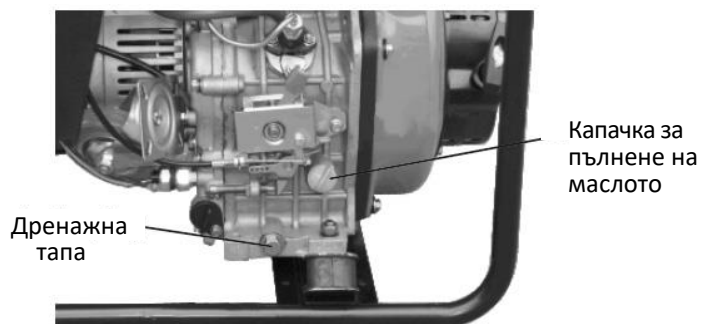
Нищо не влияе повече на работата и издръжливостта на генератора от използваното смазочно масло. Ако се използва некачествено масло или ако моторното масло не се сменя редовно, рискът от заклиняване на буталото, залепване на буталния пръстен и ускорено износване на цилиндровата обвивка, лагерите и другите движещи се компоненти нараства значително. Животът на вашия генератор може да бъде сериозно съкратен.



Интервал на смяна на машинното масло

Преди да стартирате генератора, проверете нивото на маслото и го долейте до определеното ниво, въпреки че генераторът е оборудван със система за предупреждение за ниско налягане на маслото. Не забравяйте да източите маслото, докато двигателят е топъл. Трудно е да се източат напълно маслото след охлаждане.

Внимание: Не добавяйте масло в машината, когато двигателят работи.



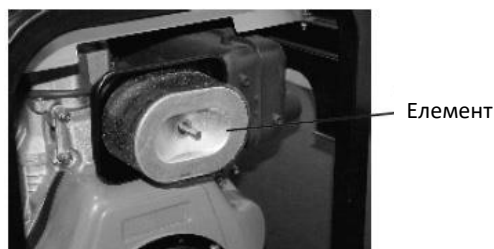
Проверка на елемента на въздушния чистач

(1) Разхлабете крилчатата гайка, свалете капака на въздухоочистителя и извадете елемента. Не мийте елемента на въздухоочистителя с почистващ препарат.

Елементът на въздухоочистителя трябва да се смени, когато мощността на двигателя намалее или цветът на отработените газове е необичаен.



Никога не пускайте генератора без елемента за почистване на въздуха. Това може да доведе до бързо износване на двигателя.



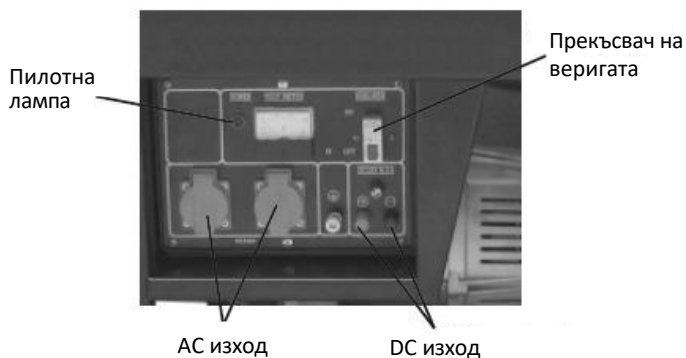
(2) Поставете отново капака на въздухоочистителя и затегнете крилчатата гайка.

Изключете главния ключ и всички други товари (например превключвателите на осветлението и двигателя)



Проверка на генератора

Изключете главния ключ и всички други товари (например превключвателите на осветлението и двигателя)



Не забравяйте да изключите главния ключ, преди да стартирате генератора. Ако превключвателят не е в положение "off", внезапното натоварване може да бъде много опасно, когато дизеловият двигател се стартира. Генераторът трябва да бъде заземен, за да се предотвратят токови удари.

Работа с генератор с двойно напрежение

Работа на превключвателя.

Прекъсвачът на кутията за управление трябва да се използва при прилагане на променливотоково захранване, а превключвателят за въздуха трябва да се постави в положение "OFF", преди да стартирате машината. След стартиране на генератора, скоростта достига номиналната скорост, така че завъртете превключвателя в положение "ON", за да могат двата контакта да се използват за извеждане на номинално напрежение.

Когато използвате 12 V захранване за зареждане, поставете главния превключвател в положение "OFF".

Терминалът на 12V изхода може да се използва за зареждане с 12V напрежение, като потребителят може да осигури превключвател за зареждане за включване или изключване.

Горивото и моторното масло са източени още преди излизане от завода

Проверете тръбопровода за масло и открийте дали в тръбопровода има смесен въздух, ако е така, източете въздуха от тръбопровода, преди да заредите и стартирате дизеловия двигател. Действителният метод е да разхлабите гайката за свързване между инжекционната помпа и тръбопровода и след това да източите въздуха, докато в горивото няма въздушни мехурчета.

Проверка и експлоатация на дизелов двигател

Предупредителна система за ниско ниво на маслото / устройство за спиране.

Устройството работи така, че да спира двигателя автоматично, когато налягането на маслото падне под нормативно определеното ниво, и да предотвратява блокирането на двигателя при недостиг на смазочно масло.

Температурата на маслото ще се повиши твърде много, ако двигателят работи с недостатъчно количество смазочно масло. От друга страна, твърде голямото количество масло е опасно, тъй като маслото може да се възпламени и да предизвика внезапно и прекомерно повишаване на оборотите на двигателя, затова преди да започнете работа с машината, не забравяйте да проверите маслото и да подадете масло до определеното ниво.

Как да отворите вратата и капака на шкафа (дизелов генератор)

(1) Отворете вратата на шкафа, повдигнете я и проверявайте ежедневно.



(2) Разхлабете болта и отворете капака, за да проверите въздушния чистач.

(3) Проверете външния капак на дюзата, разхлабете гайката и отворете капака.



Работа при навлизане

Докато генераторът ви е все още нов, прилагането на големи натоварвания може да съкрати живота на двигателя. През първите 20 часа спазвайте процедурите за отработване.

- (1) Избягвайте тежки натоварвания по време на периода на пробиване.
- (2) Редовно сменяйте моторното масло.

Сменяйте моторното масло на всеки 10 часа или един месец след първоначалната употреба, а след това на всеки 1,5 месеца или 40 часа.

Стартиране на генератора

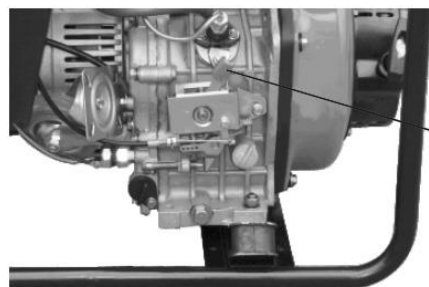
Стартиране с откат (ръчно стартиране)

Двигателят се стартира по описания по-долу начин.

1. Отворете крана за горивото (в положение "ON").
2. Поставете лоста за скоростта на двигателя в положение). "RUN".
3. Издърпайте дръжката за стартиране на отката.



1. Издърпайте дръжката до точката, в която ръцете ви усещат силна устойчивост, и след това я върнете в първоначалното положение.



лост за скоростта на двигателя

2. Натиснете надолу лоста за декомпресия. (Той ще се върне автоматично, когато се изтегли стартерът за откат)

3. Издърпайте рязко дръжката за стартиране на отката с двете си ръце.

Не позволявайте дръжката на ръкохватката да се притисне обратно към двигателя. Връщайте я внимателно, за да предотвратите повреда на стартера, при стартиране (или след стартиране).

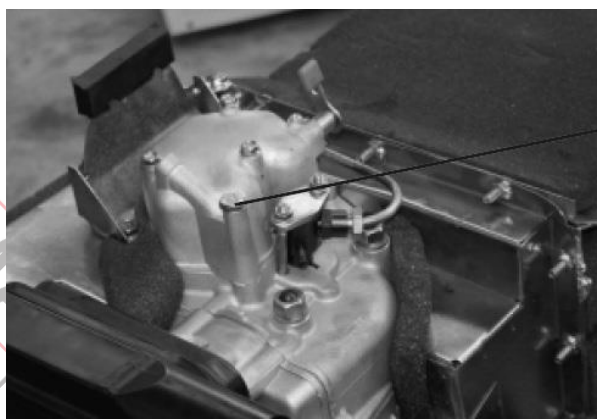
ВНИМАНИЕ ! Никога не издърпвайте дръжката за стартиране, когато дизеловият двигател работи, в противен случай ще повредите двигателя.



Декомпресивен лост

4. При студено време, когато дизеловият двигател се стартира трудно, извадете свещта от капака на рокерния механизъм и добавете 2 куб. см моторно масло. Поставете отново свещта преди стартиране.

Дръжте пробката в капака, освен когато добавяте масло, в противен случай в двигателя могат да попаднат дъжд, мръсотия и други замърсители, които да предизвикат ускорено износване на вътрешните части. Това може да доведе до сериозни проблеми.



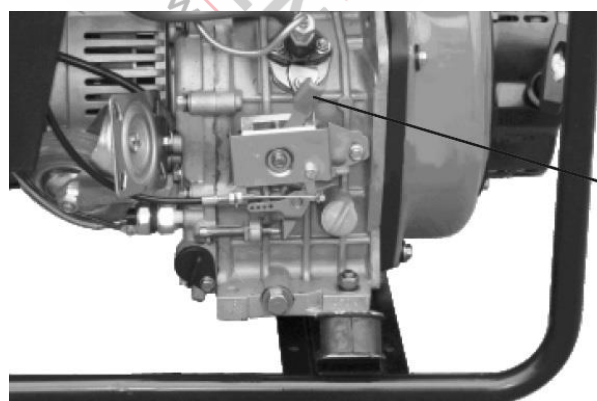
Щепсел

Електрическо стартиране

1. Стартиране (Подготовката за електрическо стартиране е същата като тази за стартиране с откат).

- (1) Отворете крана за гориво.
- (2) Оставете лоста за скоростта на двигателя в положение "RUN".
- (3) Завъртете ключа за стартиране по посока на часовниковата стрелка в положение "Start".
- (4) Отстранете ръката си от ключа веднага след като двигателят заработи и оставете ключа да се върне автоматично в първоначално положение.
- (5) Ако двигателят не се стартира след 10 секунди, изчакайте около 15 секунди, преди да се опитате да го стартирате отново.

Внимание: Ако стартирането на двигателя отнеме твърде много време, батерията ще се повреди. Винаги оставайте ключа за стартиране включен, в положение "ON", докато двигателят работи.

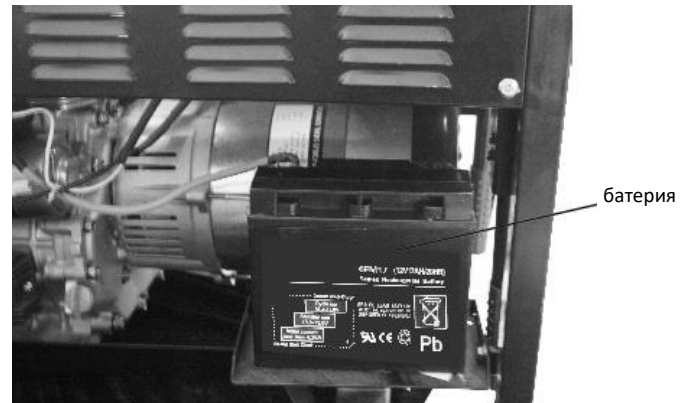


Скоростен лост на двигателя

Батерия

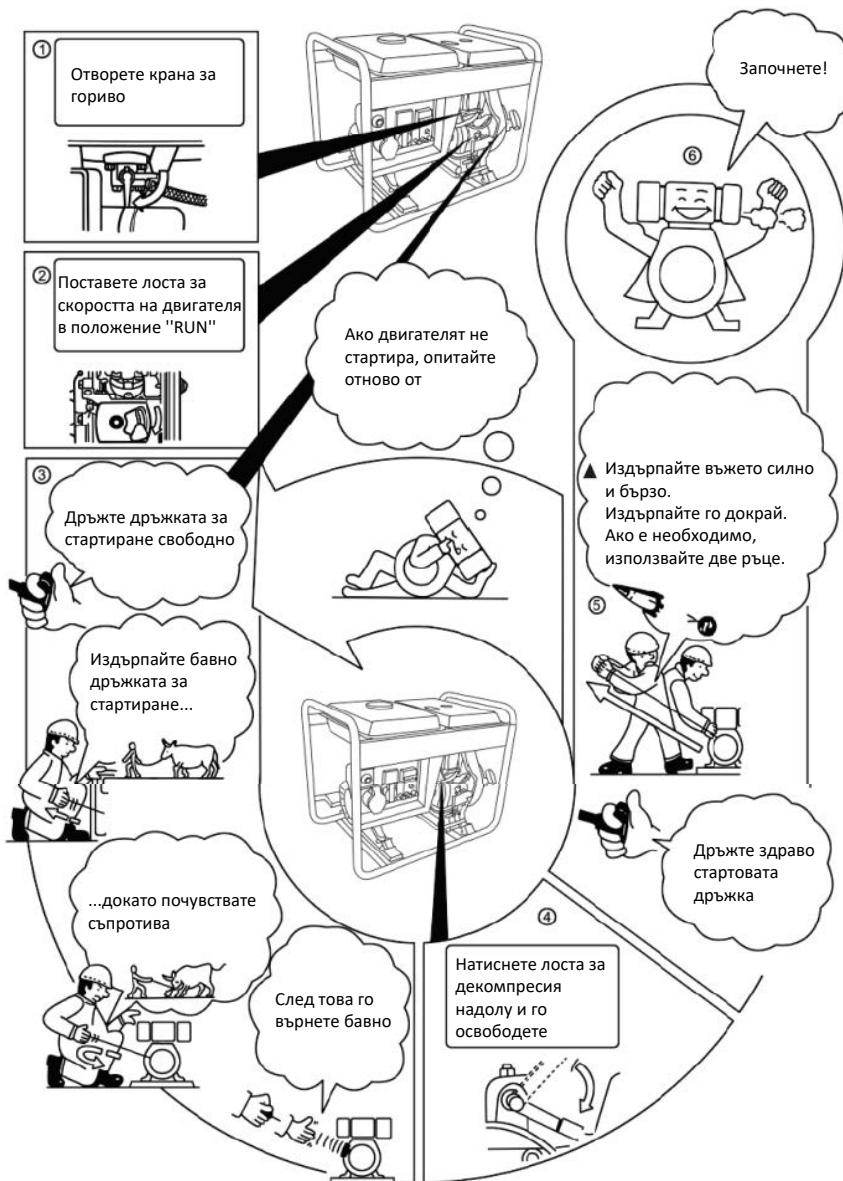
Веднъж месечно проверявайте състоянието на течността в акумулатора според цвета, който се появява външно:

1. Зелен цвят, батерията е в ред
2. бял цвят, батерията трябва да се зареди
3. черен цвят : батерията трябва да се смени.



Последователност на стартиране на генератора

Тази последователност на стартиране е подходяща само за дизелов генератор с отворена рамка.





За 3, не дърпайте
въжето твърде бързо
или силно



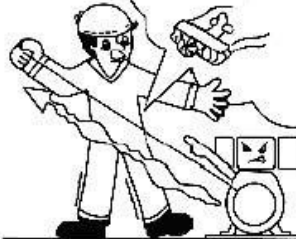
Винаги дърпайте
въжето бавно



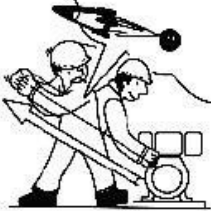
За 5, ако не издърпате въжето
докрай, двигателят няма да
запали



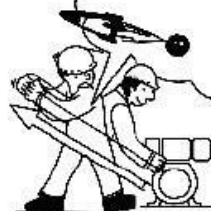
За 5, ако не дърпате
достатъчно силно, двигателят
няма да запали



Винаги издърпвайте въжето докрай



Винаги дърпайте въжето силно и бързо



Как да работите правилно с генератора

Работа с генератора

- (1) Загрейте двигателя без натоварване за около 3 минути.
- (2) Генераторът е оборудван със система за предупреждение за ниско ниво на маслото. Двигателят ще спре автоматично в случай на ниско налягане на маслото или недостиг на смазочно масло. Двигателят ще спре незабавно, ако бъде рестартиран без доливане на смазочно масло. За да проверите нивото на маслото и да го долеете.
- (3) Не разхлабвайте и не регулирайте отново нито болта за ограничаване на скоростта на двигателя, нито болта за ограничаване на впръскването на гориво (те вече са били добре регулирани преди излизането от завода), в противен случай това може да се отрази на работата.

Проверете по време на работа:

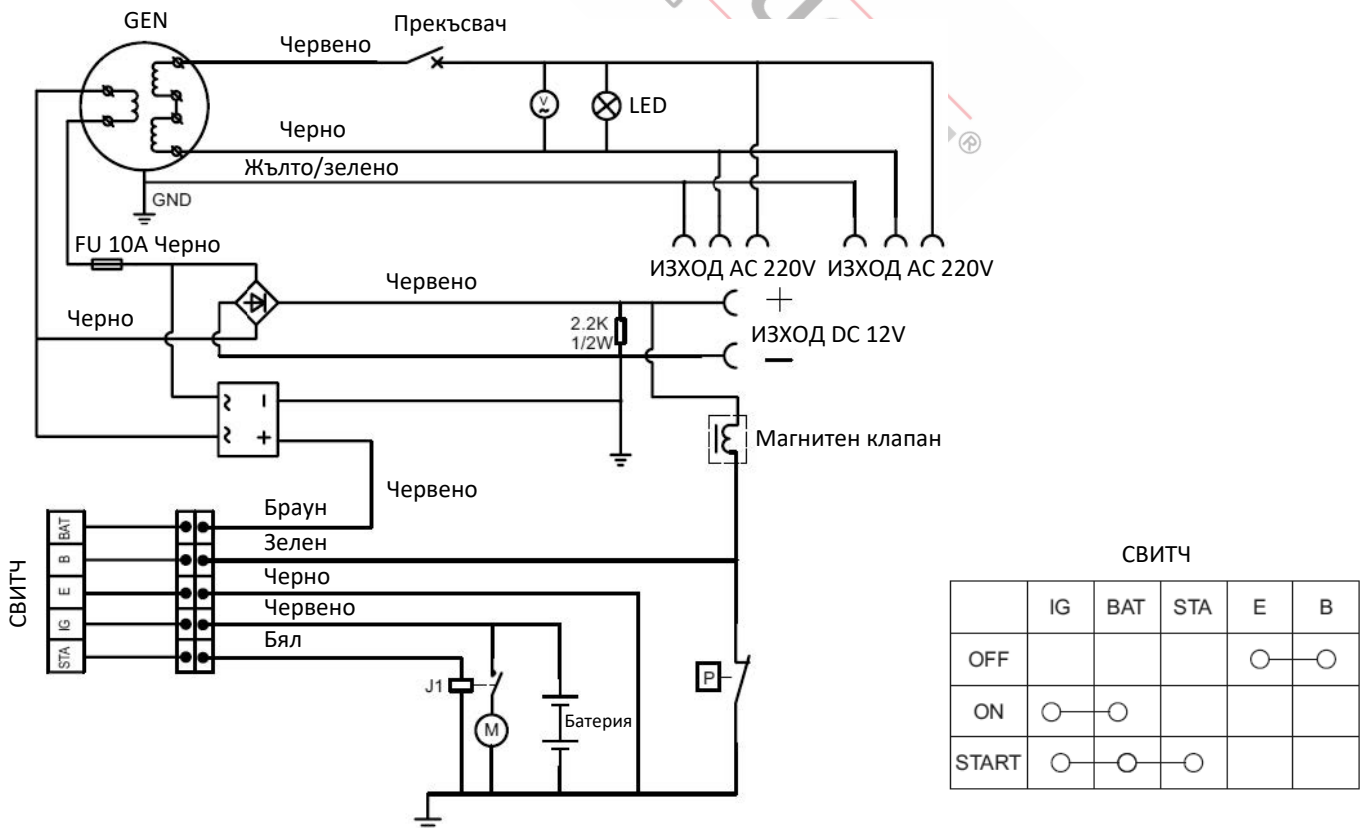
- (1) Има ли необичаен звук или вибрация?
- (2) Двигателят работи с неправилно запалване или с нарушена работа.
- (3) Какъв е цветът на изгорелите газове? (черен ли е или твърде бял?)

Ако забележите някое от горепосочените явления, спрете двигателя и се обърнете към най-близкия си дилър или се свържете с нашата компания.



Зареждане

Добавяне на товар в съответствие със зададения параметър. За електрическата принципна схема на генератора, моля, вижте следния чертеж.



Прилагане на променлив ток

- (1) Стартирайте двигателя и се уверете, че пилотната лампа свети. Ако това не се случи, е възможно да е изгоряла нажежаемата жичка.
- (2) Оборотите на генератора трябва да достигнат номиналните обороти (лостът отгоре). За номиналната скорост на генератора, моля, вижте основните технически спецификации и параметри в съответния раздел на главата.
- (3) Генераторът може да се зареди, когато индикаторът на волтметъра показва 230 (+-10%) (50Hz) на панела на контролната кутия.
- (4) Включете уреда в контакта.

Внимание: Не стартирайте две или повече машини едновременно. Стартирайте ги една по една. Не използвайте прожектори заедно с други машини.

(5) Уверете се, че всички уреди са в добро работно състояние, преди да ги свържете към генератора, ако уредът започне да работи необичайно, стане бавен или спре внезапно, незабавно изключете генератора. След това изключете уреда и го прегледайте за признаци на неизправност. Ако при претоварване на веригата се задейства защитникът за променлив ток, намалете електрическото натоварване на веригата и изчакайте няколко минути, преди да възобновите работата. Ако показанията на волтметъра са твърде ниски или твърде високи, спрете уреда и го прегледайте за причина за неизправност.

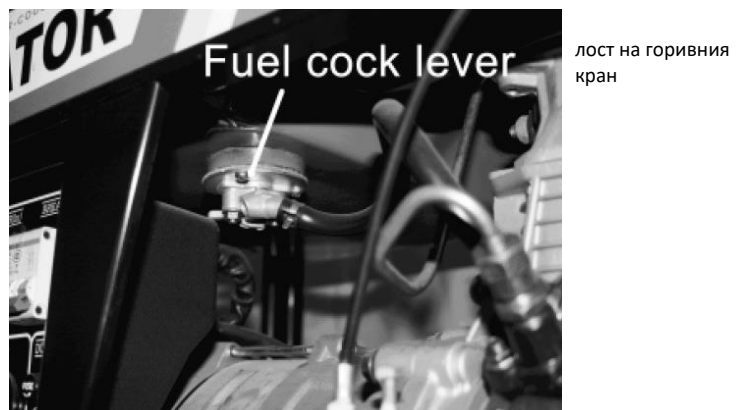
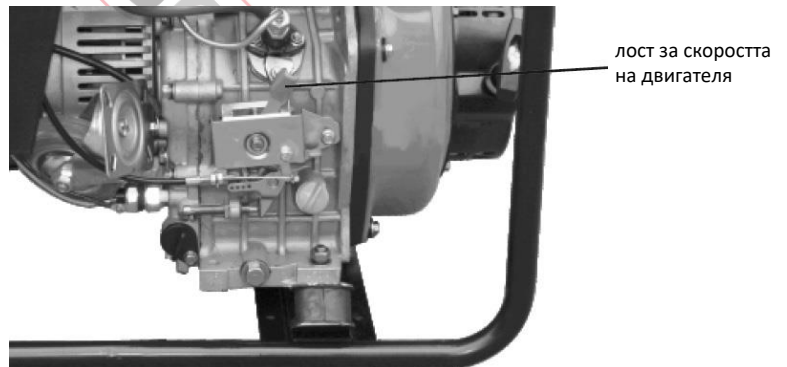
Прилагане на постоянен ток

Терминалът за постоянен ток може да се използва само за зареждане на 12-волтови акумулатори от автоматичен тип. (1) Когато използвате акумулатори от автомобилен тип с акумулаторни кабели, преди зареждане задължително изключете кабела с минусов полюс от акумулатора. (2) Стартирайте двигателя. (3) Свържете кабела за зареждане към клемите на акумулатора и клемите за постоянен ток на генератора. Свържете положителната клема на акумулатора към положителната клема на генератора. Не обръщайте кабелите за зареждане, в противен случай може да възникне сериозна повреда на генератора и/или акумулатора. Не позволявайте свободните краища на кабела да се допират един до друг. Ако това се случи, ще се стигне до късо съединение на акумулатора. Когато се зарежда акумулатор с голям капацитет, протича прекомерен ток (стойността варира в зависимост от състоянието на разреждане) и предпазителят за постоянния ток ще изгори. (4) Батериите произвеждат взривоопасни газове. Дръжте искри, пламъци и цигари на голямо разстояние от тях. За да предотвратите възможността за създаване на искра в близост до акумулатора, винаги свързвайте кабелите за зареждане първо към акумулатора и едва след това към генератора. Когато изключвате, първо трябва да изключите кабелите при генератора. (5) Зареждайте акумулатора на добре проветриво място. Преди да започнете да зареждате, свалете капачката от всяка клетка на акумулатора. Преустановете зареждането, ако температурата на електролита надвиши 45°C.

Внимание: Не се опитвайте да стартирате автомобилен двигател, докато генераторът е все още свързан към акумулатора. Не използвайте едновременно 12 V постоянен ток и променлив ток.

Спиране на генератора

Моля, имайте предвид, че за спиране (както и за пускане) на генератора BGB9000 трябва внимателно да спазвате първоначалните указания. Спирането и стартирането на BGB9500 се извършва просто чрез съответния превключвател, като не са необходими допълнителни подробни обяснения.



Периодични проверки и процедура за поддръжка

Периодичната проверка и поддръжка са много важни за поддържането на двигателя в добро състояние и дълготрайност. Генераторът се състои от дизелов двигател, алтернатор, контролна кутия, рамка и др. Моля, прочетете подробното описание на ръководството за експлоатация за всяка част.

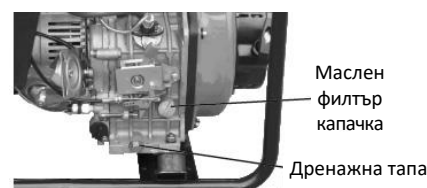
Изключете двигателя, преди да извършвате и поддръжка. Ако двигателят трябва да работи, уверете се, че зоната е добре проветрена. Отработените газове съдържат отровен газ въглероден оксид. след като двигателят е бил използван, незабавно го почистете с кърпа, за да предотвратите корозията и да отстраните утайките.

Период на обслужване редовно	Ежедневна проверка	Първи месец или 10 часа	На всеки 3 месеци или 100 часове	На всеки 4,5 месеца или 200 часа	Всяка година или 1000 часа
Артикул					
Проверка и допълване на горивото	○				
Източване на резервоара за гориво F.O.		○			
Проверка и допълване на смазочното масло	○				
Проверка за изтичане на масло	○				
Проверете и затегнете всяка част на двигателя	○			● (затегнат) болтове на главата)	
Смяна на смазочното масло		○ (за първи път)	○ (2-ри и следващи)		
Почистете масления филтър			○ (чист)	○ (замени)	
Смяна на елемента на въздушния чистач	Обслужване по-често, когато се използва в запрашени зони.			○ (замени)	
Смяна на горивния филтър	най-много на всеки 100 часа				
Проверка на помпата за впръскване на гориво				●	
Проверка на дюзата за впръскване на гориво				●	
Проверете тръбата за гориво				● (заменете, ако необходимо)	
Регулиране на хлабината на клапаните за всмукателните и изпускателните клапани				● (за първи път)	
Входящи и изходящи клапани					●
Смяна на бутални пръстени					●
Проверка на течността в аккумулятора	(Месечно)				

"○" Таблицата по-горе показва какви проверки да се извършват и кога да се извършват, знакът (●) показва, че са необходими специални инструменти и умения, консултирайте се с вашия дилър.

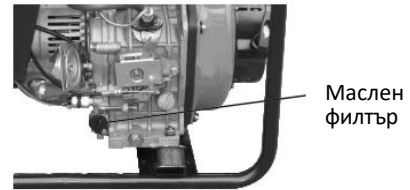
Смяна на моторното масло (на всеки 100 часа)

Свалете капачката на резервоара за масло. Свалете пробката за източване и източете използваното масло, докато двигателят е още топъл. Капакът се намира в долната част на цилиндровия блок. Затегнете пробката за източване и напълнете отново с препоръчаното масло.



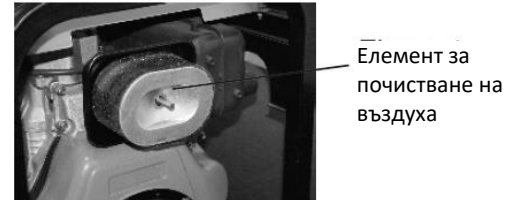
Почистване на масления филтър

- Почиствайте масления филтър на всеки 4 месеца или на всеки 200 часа работа.
- Ако е необходимо, сменете го.



Смяна на елемента на въздухоочистителя

Не мийте елемента на въздухоочистителя с почистващ препарат, тъй като това е сух тип елемент. Сменяйте елемента на въздухоочистителя на всеки 6 месеца или 300 часа (или по-рано, ако е замърсен). **ВНИМАНИЕ:** Никога не стартирайте двигателя без елемент или с дефектен елемент. Сменяйте елемента навреме.



Смяна на горивния филтър

Горивният филтър също трябва да се почиства редовно, за да се осигури максимална мощност на двигателя .

- (1) Източете горивото от резервоара за гориво.
- (2) Разхлаете малките винтове на горивния кран и извадете филтъра от резервоара за гориво. Измийте добре филтъра с дизелово гориво, преместете отново фиксиращата гайка, крайната капачка и дифузорните дискове и почистете въглеродните отлагания.

- Заменяйте на всеки 100 часа

Забележка: Затягането на болтовете на цилиндровата глава (вижте ръководството за експлоатация на дизеловия двигател) изисква специален инструмент. Не се опитвайте да го направите сами.

Проверка на инжекционната дюза, инжекционната помпа и др.

- (1) Регулиране на хлабината в главата на клапаните за всмукателните и изпускателните клапани.
- (2) Притискане на всмукателния и изпускателния клапан.
- (3) Смяна на буталния пръстен.

Всички те изискват специални инструменти и умения. Не извършвайте изпитването на дюзата за впръскване в близост до открит огън или друг вид огън. Разпръскваното гориво може да се възпламени. Не излагайте голата си кожа на въздействието на горивната струя. Горивото може да проникне през кожата и да причини нараняване на тялото. Винаги дръжте тялото си далеч от дюзата.

Проверка и допълване на течността в акумулатора и зареждане на акумулатора

Този дизелов двигател използва 12V акумулатор. Течността в акумулатора се губи при непрекъснато зареждане и разреждане. Преди да стартирате, проверете за физически повреди по акумулатора. При установяване на действителна повреда сменете акумулатора.

Дългосрочно съхранение

Ако генераторът ви трябва да се съхранява дълго време, трябва да се направи следната подготовка.

- Работете с дизеловия двигател около 3 минути и го спрете
- Спрете дизеловия двигател, когато дизеловият двигател е все още горещ, източете старата смазка на дизеловото моторно масло, след което напълнете нова.
- Издърпайте щепсела на капака на дизеловия двигател и добавете 2 ml смазка в цилиндъра, след което поставете щепсела на първоначалното му място.
- Поддържане на начална позиция
- (1) Ръчно стартиране Натиснете дръжката за намаляване на налягането (положение без компресия), издърпайте дръжката за откат 2-3 пъти. (Не стартирайте дизеловия двигател).
- (2) Електрическо стартиране Когато ръчката за стартиране е в положение без компресия, задействайте дизеловия двигател за 2-3 секунди. Когато превключвателят е в положение за стартиране, не пускате дизеловия двигател.
- Издърпайте дръжката за намаляване на налягането и бавно издърпайте стартера за откат. Когато почувствате бързина, спрете дърпането. (По това време всмукателният и изпускателният клапан са в състояние на затваряне, това е подходящо за предпазване от ръжда).
- Почистете го и го съхранявайте на сухо място.

	ПРИЧИНА	РЕЗОЛЮЦИЯ
Дизеловият двигател не може да се стартира	Горивото не е достатъчно	Добавяне на дизелово гориво
	Превключвателят не е в положение "ON".	Завъртете го в положение "ON".
	Помпата за високо налягане и дюзата за масло не могат да впръскват масло или количеството масло не е достатъчно	Извадете дюзата за масло и я ремонтирайте на тестовата маса
	Лостът за управление на скоростта не е в положение "RUN".	Поставете лоста за управление в положение "RUN".
	Проверете нивото на смазката	Определеното ниво на маслото трябва да е между горната ниво "H" и долен лост "L"
	Скоростта и силата за издърпване на стартера на откат не са достатъчни	Стартирайте дизеловия двигател в съответствие с изискванията на началната работна процедура
	Дюзата за масло е замърсена	Почистете дюзата за масло
	Батерията не е заредена или не работи	Заредете го или го заменете с нов
Генераторът не работи	Главният превключвател е затворен	Поставете главния превключвател в положение "ON".
	Контактът на гнездото не е добър	Регулиране на гнездото
	Номиналната скорост на генератора не може да бъде достигната	Настройте го според изискванията

При заваряване, ако електрическият ток е прекалено голям за конкретния процес на заваряване или двигателят се изключва от претоварване по време на заваряване, повредата или късото съединение може да бъде причинено от повреда или късо съединение на регулатора на AVR. Ако не се генерира електрически ток, отнесете дизел-генератора до съответния дилър или до оторизиран сервизен център.

- Допълнителни въпроси и проблеми -

Ако имате някакъв въпрос или проблем, когато се срещнете в работата си, моля, свържете се с нашата компания или нашия дилър и кажете следната информация:

(1) Видът на дизеловите генераторни агрегати, номерът и типът на дизеловия двигател и номерът и типът на генератора.

(2) Статус

Какъв проблем е бил взет при експлоатацията и обяснете с каква скорост се работи.

(3) Време на работа

(4) Другото подробно условие, например кога е възникнал проблемът, колко често и т.н.

ПРИЛОЖЕНИЕ

1. Списък на аксесоарите и резервните части с тази машина

Но.	Име	Единица	Количество	Забележки
1	Дизелов генератор	Комплект	1	
2	Комплект	Парче	1	
3	Пластмасов капак	Парче	1	
4	Сертификат за качество	Парче	1	

2. Технически документи

Но.	Име	Единица	Количество	Забележки
1	Ръководство за дизелов двигател - генераторна серия	Комплект	1	

3. Комплект сервизни части (опция)

Но.	Име	Единица	Количество	Забележки
1	Ключ 8-10	Комплект	1	
2	Гаечен ключ 12-14	Парче	1	
3	Гаечен ключ 17-19	Парче	1	
4	Винт	Парче	1	
5	Пластмасова торбичка	Парче	1	

- ВНИМАНИЕ -

1. Този продукт е предназначен за употреба само на открито в добре проветриво помещение.
2. Продуктът е предназначен за производство на електроенергия.
3. Продуктът не трябва да се използва под земята.
4. Продуктът не трябва да се използва в потенциално експлозивна атмосфера.
5. Продуктът не може да се свързва директно към електрическата мрежа.

ЗАБЕЛЕЖКА: При работа с двигателя трябва да се носят предпазни средства за ушите.

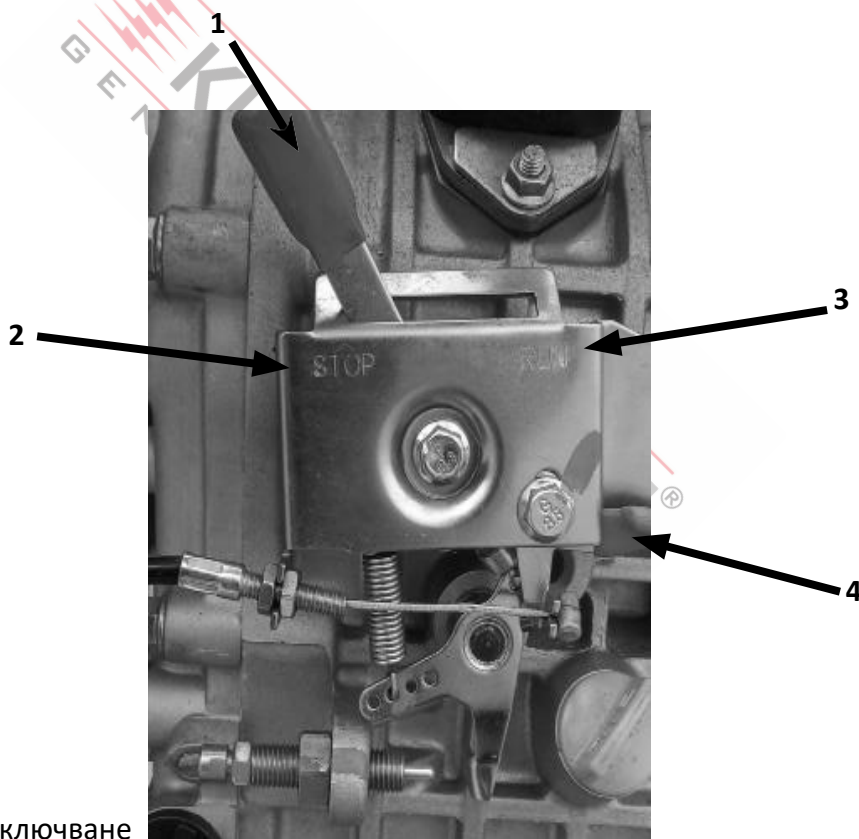
ВНИМАНИЕ
**ИНСТРУКЦИИ ЗА ПУСКАНЕ И СПИРАНЕ НА ГЕНЕРАТОРНА УРЕДБА ТИП GP7000/
 GP7500/BGB9000**

За да стартирате дизеловия генератор, се уверете, че са изпълнени следните стъпки:

1. а) резервоарът за масло е правилно напълнен, б) в резервоара за гориво е подадено достатъчно дизелово гориво, в) акумулаторът е правилно свързан.

2. Поставете **лоста за спиране на движението (1)** в положение **RUN (3)** (и го освободете, щом почувствате, че е "щракнал в позиция" и че остава здраво на място).

3. Завъртаме ключа в стартера, докато дизеловият генератор заработи (ако не заработи през първите 3 - 4 секунди, отпускате ключа за още 3 - 4 секунди (за да предпазим двигателя) и опитваме отново. Ако забележите затруднения при стартирането на генератора, натиснете декомпресора едновременно със стартера при стартиране на двигателя, както е посочено в инструкциите.



- 1. Лост RUN-STOP
- 2. Позиция STOP
- 3. Позиция RUN
- 4. Лост за ръчно изключване

За да се изключи дизеловият генератор :

1. Завъртете ключа в положение **OFF (Изключено)** и генераторната уредба се изключва.

2. Ако дизелово-генераторният агрегат не се изключи, натиснете **лоста за ръчно изключване (4)**, забележете, че **лостът RUN- STOP (1)** се премества в положение **STOP (2)** и впоследствие дизелово-генераторният агрегат се изключва.

Varnostni ukrepi

1. Otroci morajo biti v varni razdalji od generatorja. 2. Med delovanjem generatorja se ne dotikajte motorja in dušilnika zvoka ali pa ga le utišajte, da se izognete empiriji. Bodite pozorni na opozorilno nalepko na generatorju. 3. Električna oprema (vključno s kablom in priključnim elementom vtiča) mora biti pred zagonom v dobrem stanju. 4. Nov odklopnik mora biti pod enako ravno delovanja, značilnosti in parametrov kot prejšnji za zamenjavo. 5. Zaradi velikih mehanskih obremenitev je dovoljeno uporabljati samo kable z gumijastim plaščem ali paritetne izdelke. 6. Pri uporabi podaljškov ali premičnih razdelilnih omaric žica s presekom 1,5 kvadratnega milimetra ne sme biti daljša od 60 metrov; za presek 2,5 milimetra pa žica ne sme biti daljša od 100 metrov. 7. Pri motorju z ročnim zagonom je treba preprečiti nevarnost nenadne spremembe smeri vrtenja. 8. Pri standardnih delovnih pogojih okoliščin bi lahko generator obremenil le z nazivno močjo. Če delovne razmere okoliščin niso standardne, mora generator delovati z manjšo močjo. Če so temperatura, nadmorska višina in vlažnost višji od standardnih delovnih pogojev okoliščin, bi generator zmanjšal moč. 9. Pred preverjanjem in vzdrževanjem generatorja je treba motor ustaviti. Demontirati je treba vžigalno svečko in zagonski ključ, da se prepreči, da motor ne bi bil zagnan nepravilno. Nato preverite in vzdržujte generator v skladu z načrtovanim koledarjem popravil. 10. Razen vsakodnevnega vzdrževanja in čiščenja mora preverjanje in ponovno nastavitev opraviti pooblaščen strokovna oseba, zahtevane sestavne dele pa mora zagotoviti sama (obrnite se na lokalne prodajalce). 11. Nov ali pravkar popravljen stroj mora držati vsaj 30 ur pripravljalnega obdobja, moč pa ne sme presegati 75 % nazivne moči.

Uvod

Ta serija dizelskih generatorjev uporablja super lahki, zračno hlajeni štiritaktni dizelski motor z neposrednim vbrizgavanjem in ima dva načina zagona (tip odprtega okvirja), tj. zagon z navitjem (ročno) in električni zagon ter samo električni zagon za tihi tip. Opremljeni so z rezervoarjem za gorivo velike prostornine, zaščitnim tokokrogom, napravo za izhod dvojne napetosti AC in DC, alarmom za nizek tlak olja in napravo za samodejno ustavitev.

Dizelski generatorji služijo kot rezervna oskrba z električno energijo. V tem priročniku je opisano, kako upravljati, vzdrževati in servisirati te dizelske generatorje. Pred uporabo dizelskega generatorja preberite in v celoti razumite ta navodila, da zagotovite pravilno rokovanje in delovanje.

Natančno upoštevajte navodila, da bo vaš dizelski generator v najboljšem stanju, kar bo hkrati podaljšalo življenjsko dobo dizelskega generatorja. Če imate dodatna vprašanja v zvezi s tem priročnikom ali kakršne koli predloge, se obrnite neposredno na prodajalca ali pooblaščen servisni oddelek našega podjetja.

Videz serije dizelskih generatorjev

Tip odprtega okvirja



Tihi tip



Osnovni parametri

Generator lahko proizvede nazivno izhodno moč pod naslednjimi pogoji:

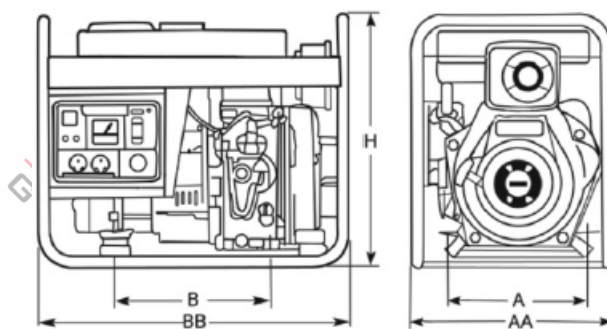
Nadmorska višina (m)	Temperatura okolja (° C)	Relativna vlažnost
0	+20	60%

Generator lahko ustvarja določeno moč in zanesljivo deluje pod naslednjimi pogoji:

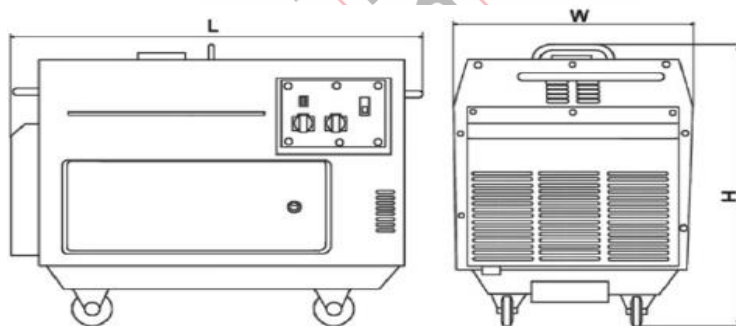
Nadmorska višina (m)	Temperatura okolja (° C)	Relativna vlažnost
< 1000 (m)	5 - 40	90%

Obrisi in dimenzije za vgradnjo

- Obrisi in vgradne mere dizelskega generatorja (odprtega okvirja)

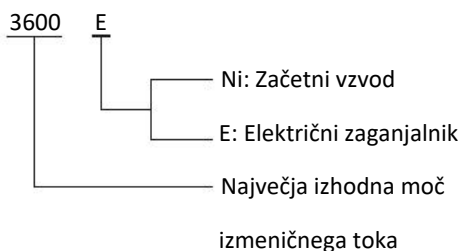


- Obrisi in vgradne mere dizelskega generatorja (tihi tip)

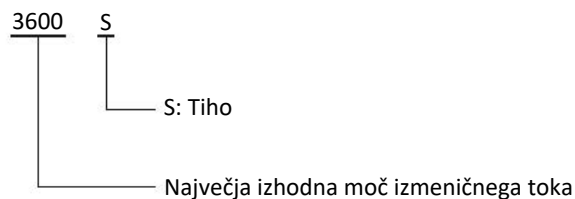


- Vrsta in koda dizelskega generatorja

Odprtega okvirja



Tihi tip



delovanje dizelskega generatorja (generatorskega sklopa)

Preberite in razumite ta priročnik za varno delovanje ter bodite pozorni na naslednje glavne točke delovanja, sicer lahko pride do telesnih poškodb in poškodb opreme.

Preprečevanje požarov

Gorivo dizelskega motorja je lahko dizelsko gorivo, zato ne smete uporabljati bencina, kerozina itd. Razlito gorivo obrišite s čisto krpo. Bencin, kerozin, vžigalice ter druga eksplozivna in vnetljiva sredstva hranite stran od generatorja, saj je temperatura okoli dušilca izpušnih plinov med delovanjem zelo visoka. Da bi preprečili nevarnost požara in zagotovili ustrezno prezračevanje, naj bo generator med delovanjem vsaj 1,5 metra oddaljen od stavb in druge opreme. Generator upravljajte na ravni površini, če je generator nagnjen, lahko pride do razlitja goriva.

Preprečevanje vdihavanja izpušnih plinov

Izpušni plini vsebujejo strupen ogljikov monoksid. Generatorja nikoli ne uporabljajte na slabo prezračenih mestih. Če je delovanje v zaprtih prostorih nemogoče, poskrbite za ustrezno prezračevanje, da ljudje in živina ne bodo prizadeti.

Preprečevanje opeklin

Nikoli se ne dotikajte dušilnika zvoka ali pokrova dušilnika zvoka, ko je motor zagnan ali vroč.

Električni udari, kratki stiki

Da bi se izognili električnemu udaru ali kratkemu stiku, se generatorja ne dotikajte, če je generator ali vaše roke mokre. Ta generator ni vodotesen, zato ga ne smete uporabljati na mestih, ki so izpostavljena dežju, snegu ali vodnim curkom.

Pozor: Večina motorjev aparatov potrebuje za zagon več moči, kot je njihova nazivna moč. Ne prekoračite omejitve toka, določene za posamezno vtičnico.

Generator mora biti ozemljen, da se prepreči električni udar. Med ozemljitveno sponko generatorja in zunanjo ozemljitveno napravo priključite težko žico. Oglejte si naslednje slike.

Na generator ne priključite druge opreme, preden ga zaženete.

Druge varne glavne točke

Vedite, kako hitro ustaviti generator, in razumite, kako upravljati z vsemi krmilniki. Nikoli nikomur ne dovolite, da upravlja generator brez ustreznih navodil. Vedno nosite čelado in varnostne čevlje ter primerna oblačila, hišne živali in otroke držite stran od generatorja, ko ta deluje.

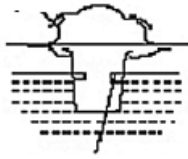


Polnjenje baterije

Elektrolit baterije vsebuje žveplovo kislino. Zaščitite oči, kožo in oblačila. V primeru stika temeljito sperite z vodo in hitro poiščite pomoč, zlasti če so prizadete oči. Iz akumulatorjev nastaja vodikov plin, ki lahko v bližini akumulatorja, zlasti med polnjenjem, povzroči plamene ali iskre. Baterijo polnite v popolnoma prezračenem pl. Kadar periferna naprava uporablja moč generatorja z vztrajnikom, ne odklopite priključkov baterije od motorja, sicer lahko pride do poškodb periferne naprave.

Priprava pred zagonom / Izbira in ravnanje z gorivom

Rezervoar za gorivo: uporablja se lahko samo lahka dizelska goriva. Gorivo je treba filtrirati. Gorivo ne sme vsebovati vode ali prahu, saj ta povzročata težave v šobi črpalke za vbrizgavanje goriva.



Element čistilnika zraka:

Elementa čistilnika zraka ne umivajte z detergentom.

Element zamenjajte, ko se zmanjša njegova zmogljivost ali ko opazite slabo barvo izpuha.

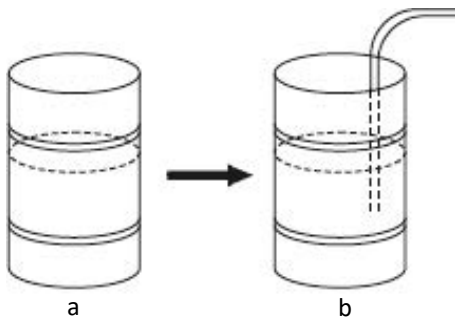
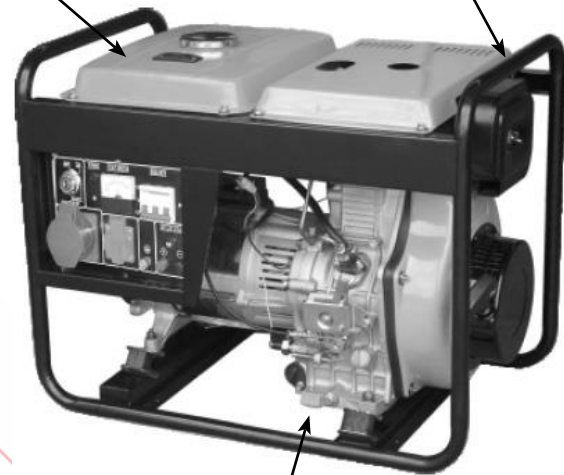
Pozor: Ne polnite rezervoarja do vrha rdečega čepka v filtru rezervoarja za gorivo.

Pozor:

- Ne kadite in ne dopuščajte iskrenja na območju, kjer se motor polni z gorivom ali kjer je shranjen bencin.
- Pri točenju goriva ne razlivajte goriva in poskrbite, da je pokrovček filtra dobro zaprt.

a. Po nakupu goriva pustite boben stati 3-4 dni.

b. Po 3-4 dneh: Vstavite sesalno cev do polovice v boben. (Voda in prah se nabirata v spodnjem delu bobna.)



Ročica za upravljanje hitrosti

Začetnik/tekmovanje

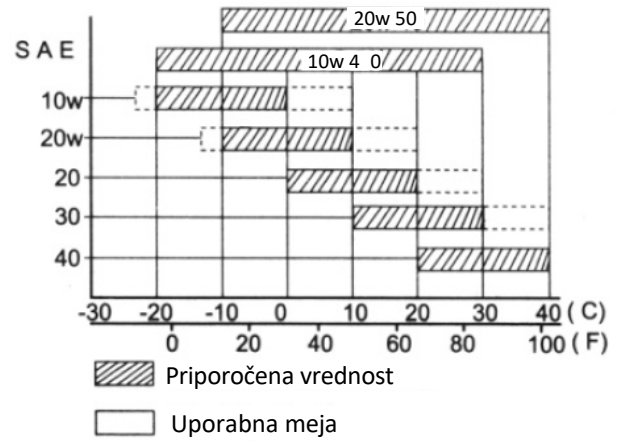
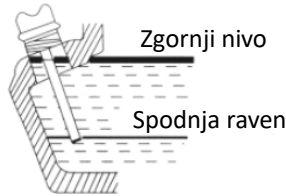
Ustavite



Izbira mazalnega olja in ravnanje z njim

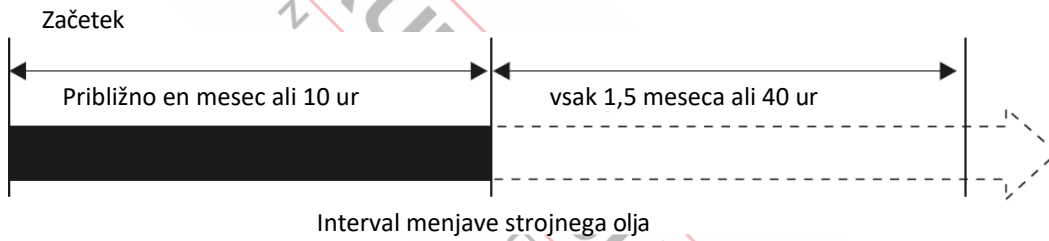
Vhod maziva:

Generator postavite na raven nivo in v dovod maziva napolnite motorno olje. Nivo olja preverite tako, da merilno palico preprosto potopite v posodo. Merilne palice ne privijte.



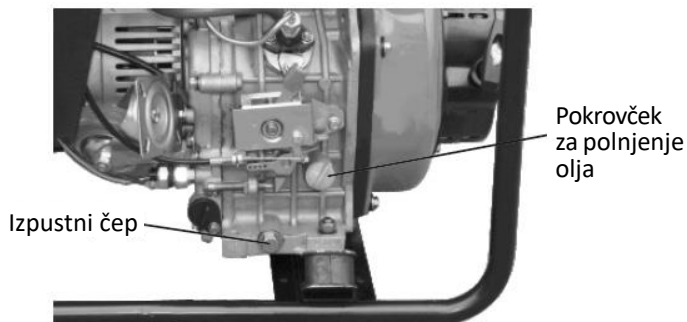
A.P.I. Klasifikacija vzdrževanja dizelskega motorja. Priporočamo A.P.I. CC ali CD.

Nič ne vpliva na zmogljivost in vzdržljivost generatorja bolj kot mazalno olje, ki ga uporabljate. Če uporabljate slabše olje ali če motornega olja ne menjate redno, se močno poveča tveganje za zatikanje bata, zatikanje batnega obroča in pospešeno obrabo obloge cilindra, ležaja in drugih gibljivih sestavnih delov. Življenjska doba vašega generatorja se lahko resno skrajša.



Pred zagonom generatorja preverite nivo olja in ga dolijte do predpisane ravni, čeprav je generator opremljen z opozorilnim sistemom za nizek tlak olja. Olje izpustite, ko je motor topel. Ko se ohladi, je olje težko popolnoma izprazniti.

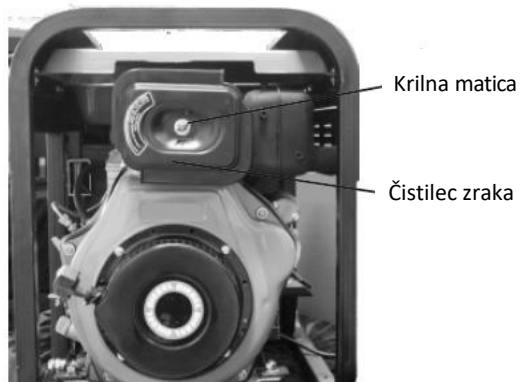
Pozor: Olja v stroj ne dodajajte, ko motor deluje.



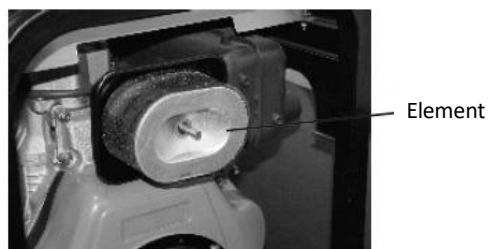
Preverite element čistilca zraka

(1) Sprostite krilno matico, odstranite pokrov čistilca zraka in odstranite element. Elementa čistilnika zraka ne perite z detergentom.

Element čistilca zraka je treba zamenjati, če se moč motorja zmanjša ali je barva izpušnih plinov nenormalna.



Generatorja nikoli ne zaženite brez elementa za čiščenje zraka. To lahko povzroči hitro obrabo motorja.



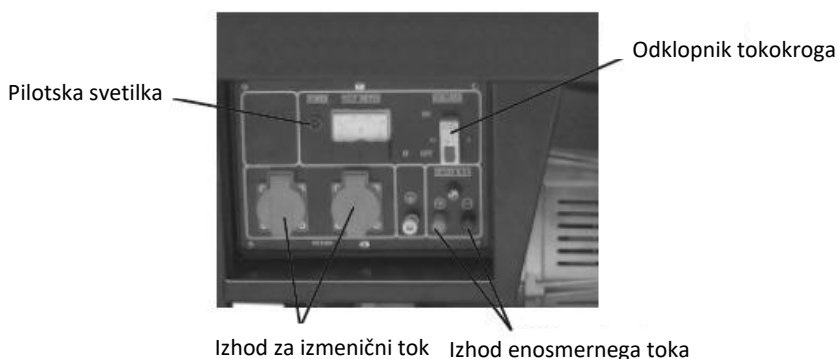
(2) Ponovno namestite pokrov čistilca zraka in zategnite krilno matico.

Izklopite glavno stikalo in vse druge obremenitve (na primer stikala za luči in motorje).



Preverite generator

Izklopite glavno stikalo in vse druge obremenitve (na primer stikala za luči in motorje).



Pred zagonom generatorja obvezno izklopite glavno stikalo. Če stikalo ni v položaju "off", je lahko nenadna obremenitev ob zagonu dizelskega motorja zelo nevarna. Generator mora biti ozemljen, da se prepreči električni udar.

Ravnanje z dvonapetostnim generatorjem

Delovanje preklopnega stikala.

Pri uporabi izmeničnega napajanja je treba uporabiti odklopnik na krmilni omarici, pred zagonom stroja pa je treba zračno stikalo nastaviti v položaj "OFF". Po zagonu agregata hitrost doseže nazivno hitrost, zato obrnite stikalo v položaj "ON", da se lahko obe vtičnici uporabljata za izhod nazivne napetosti.

Glavno stikalo nastavite v položaj "OFF", če za polnjenje uporabljate 12 V napajanje.

Izhodni terminal 12V se lahko uporablja za polnjenje z 12V napetostjo, uporabnik lahko zagotovi stikalo za polnjenje za vklop ali izklop.

Gorivo in motorno olje sta bila izpraznjena že pred izstopom iz tovarne.

Preverite naftovod in ugotovite, ali je v naftovodu zmešan zrak, če je, pred polnjenjem in zagonom dizelskega motorja iz cevododa odstranite zrak. Dejanska metoda je, da sprostite matico za povezavo med črpalko za vbrizgavanje in cevovodom ter nato izpustite zrak, dokler v gorivu ni zračnega mehurčka.

Pregled in delovanje dizelskega motorja

Opozorilni sistem za nizko vsebnost olja/zaustavitvena naprava

Naprava deluje tako, da samodejno ustavi motor, ko tlak olja pade pod predpisano raven, in prepreči zagozditev motorja, ko zmanjka mazalnega olja.

Če motor deluje s premajhno količino mazalnega olja, se temperatura olja preveč poviša. Po drugi strani pa je prevelika količina olja nevarna, saj lahko olje vname in povzroči nenadno in prekomerno povečanje števila vrtljajev motorja, zato pred uporabo stroja preverite količino olja in ga dovajajte do predpisane ravni.

Kako odpreti vrata in pokrov omarice (dizelski generator)

(1) Odprite vrata omarice in jih dvignite ter vsak dan preverite.



(2) Če želite preveriti zračni čistilec, sprostite vijak in odprite pokrov.

(3) Preverite zunanji pokrov šobe, sprostite matico in odprite pokrov.



Delovanje ob preboju

Dokler je vaš generator še nov, lahko uporaba velikih obremenitev skrajša življenjsko dobo motorja. V prvih 20 urah delovanja upoštevajte postopke za uvajanje.

- (1) V obdobju prebijanja se izogibajte velikim obremenitvam.
- (2) Redno menjajte motorno olje.

Motorno olje zamenjajte vsakih 10 ur ali en mesec po prvi uporabi in nato vsakih 1,5 meseca ali 40 ur.

Vklop generatorja

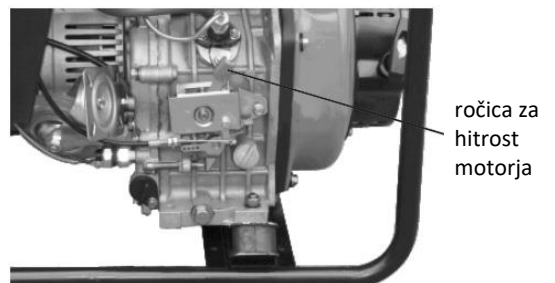
Zagon s povratnim vzvodom (ročni zagon)

Motor se zažene na način, opisan v nadaljevanju.

1. Odprite pipo za gorivo (v položaju "ON").
2. Ročico za nastavitev hitrosti motorja postavite v položaj ".
"RUN".
3. Izvlecite ročico za zagon odboja.



1. Ročaj izvlecite do točke, ko začutite močan odpor rok, nato pa ga vrnite v začetni položaj.



2. Potisnite ročico za dekompresijo navzdol. (Vrnila se bo samodejno, ko potegnete zaganjalnik odmetavanja)

3. Z obema rokama hitro izvlecite ročico za zagon odboja.

Ne dovolite, da se ročaj ročaja zaskoči nazaj na motor. Pri zagonu (ali po zagonu) ga nežno vrnite, da preprečite poškodbe zaganjalnika.

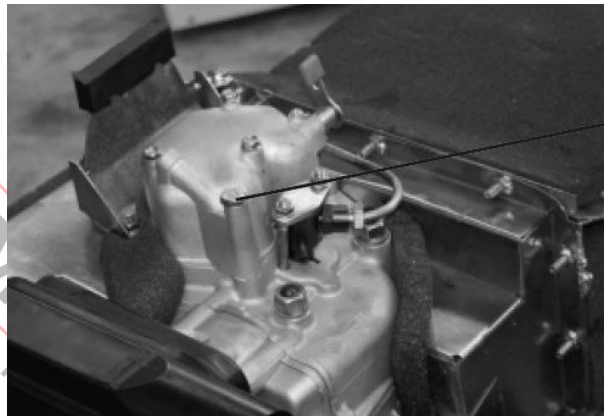
POZOR! Nikoli ne izvlecite zagonskega ročaja, ko dizelski motor deluje, sicer se motor poškoduje.



dekompresijski vzvod

4. V hladnem vremenu, ko dizelski motor težko zažene, odstranite čep s pokrova vzvodne ročice in dodajte 2 cm³ motornega olja. Pred zagonom namestite čep.

Svečko pustite v pokrovu, razen pri dodajanju olja, sicer lahko dež, umazanija in druge nečistoče vdrejo v motor in povzročijo pospešeno obrabo notranjih delov. To lahko povzroči resne težave.



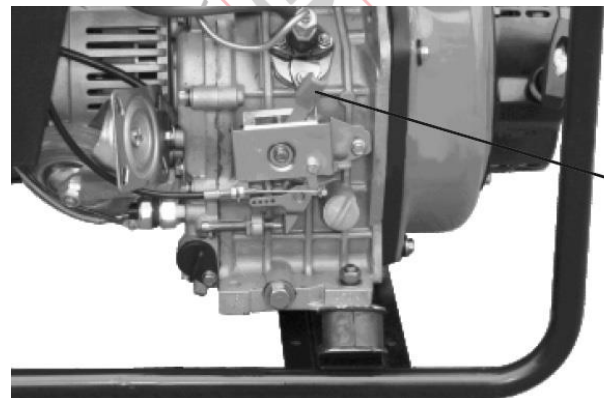
vtič

Električni zagon

1. Zagon (Priprava za električni zagon je enaka kot pri zagonu z navijanjem).

- (1) Odprite pipo za gorivo.
- (2) Pustite ročico hitrosti motorja v položaju "RUN".
- (3) Ključ za zagon obrnite v smeri urinega kazalca v položaj "Start".
- (4) Takoj po zagonu motorja umaknite roko s ključa in počakajte, da se ključ samodejno vrne v začetni položaj.
- (5) Če se motor po 10 sekundah ne zažene, počakajte približno 15 sekund, preden poskusite znova zagnati motor.

Pozor: Če bo zagon motorja trajal predolgo, bo prišlo do okvare akumulatorja. Vedno pustite ključ za zagon motorja obrnjen v položaju "ON", ko motor deluje.

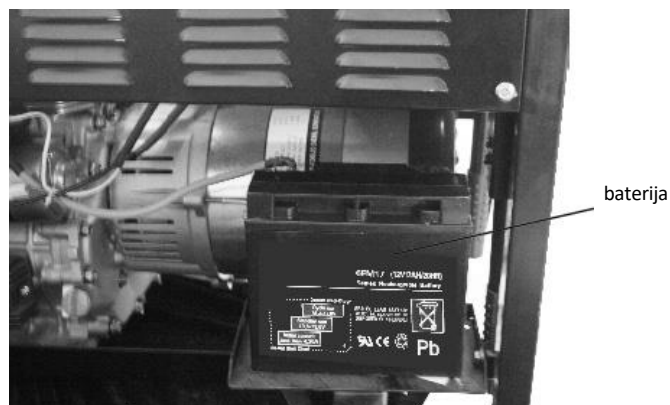


ročica za hitrost motorja

Baterija

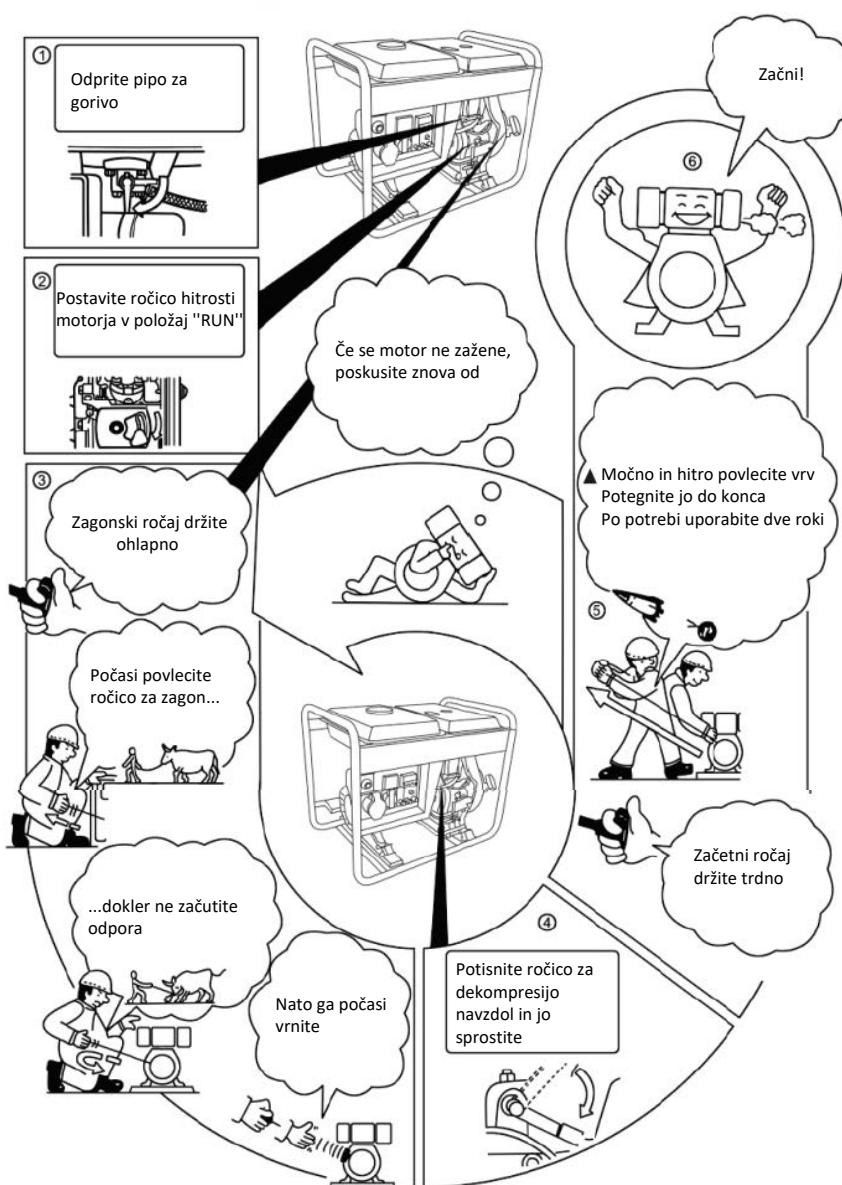
Enkrat mesečno preverite stanje tekočine v akumulatorju glede na zunanjo barvo:

1. Zelena barva, baterija je v redu
2. Bela barva, baterijo je treba napolniti
3. Črna barva : baterijo je treba zamenjati.



Zaporedje zagona generatorja

To zaporedje zagona je primerno samo za zagon dizelskega generatorja z odprtim okvirjem.





Za 3: ne vleci vrvi prehitro ali premočno



Vrv vedno vleci počasi



Če vrvi ne izvlečete do konca, motor ne vžge



5, če ne potegnete dovolj močno, motor ne vžge



Vedno izvlecite vrv do konca



Vedno močno in hitro potegnite vrv



Kako pravilno upravljati generator

Upravljanje generatorja

(1) Motor segrevajte brez obremenitve približno 3 minute.

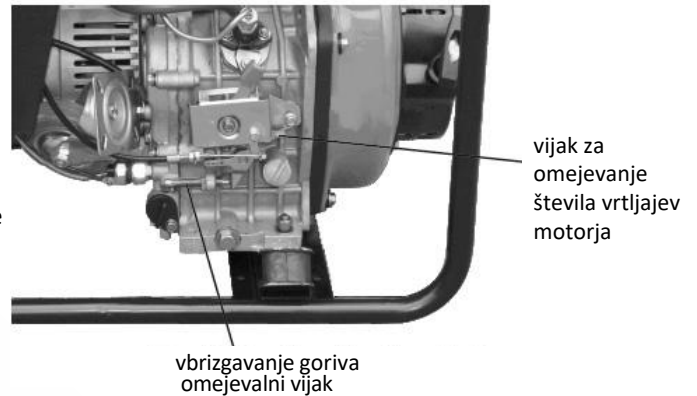
(2) Generator je opremljen z opozorilnim sistemom za nizko raven olja. V primeru nizkega tlaka olja ali pomanjkanja mazalnega olja se motor samodejno ustavi. Motor se bo takoj ustavil, če ga ponovno zaženete brez dopolnitve mazalnega olja. Če želite preveriti raven olja in ga ponovno napolniti.

(3) Ne zrahljajte ali ponovno nastavlajte omejevalnega vijaka hitrosti motorja ali omejevalnega vijaka vbrizga goriva (dobro sta bila nastavljena že pred izstopom iz tovarne), sicer lahko pride do motenj v delovanju.

Preverite med delovanjem:

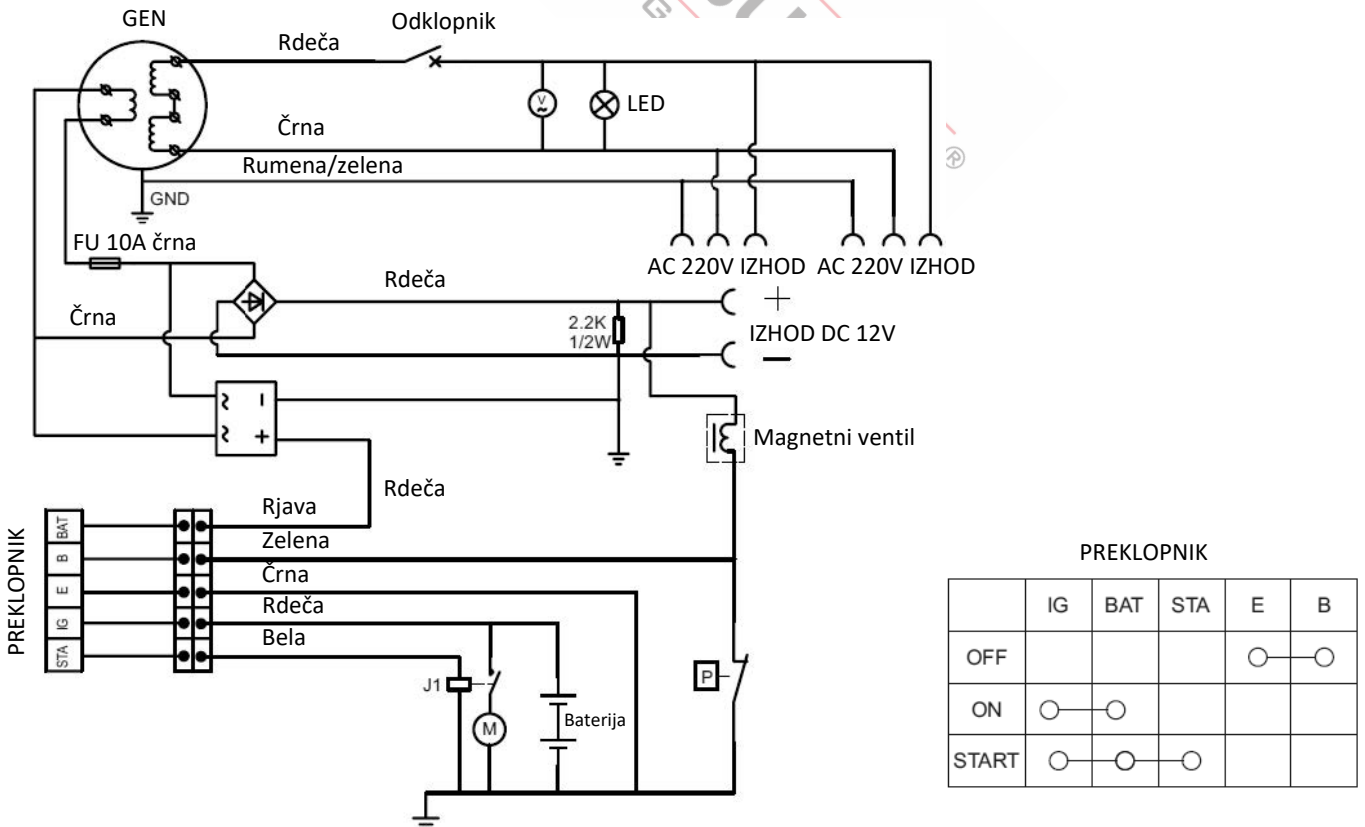
- (1) Ali se pojavljajo neobičajni zvoki ali vibracije?
- (2) Motor napačno vžiga ali deluje neenakomerno.
- (3) Kakšna je barva izpušnih plinov? (Ali je črna ali preveč bela?)

Če opazite katerega od zgoraj navedenih pojavov, ustavite motor in se obrnite na najbližjega prodajalca ali na naše podjetje.



Obremenitev

Dodajanje bremena glede na določen parameter. Za električni diagram generatorja glejte naslednjo risbo.



Uporaba izmeničnega toka

- (1) Zagonite motor in se prepričajte, da se prižge kontrolna lučka. Če se ne, je žarilna nitka morda pregorela.
- (2) Hitrost generatorja mora doseči nazivno hitrost (ročica na vrhu). Za nazivno hitrost generatorja glejte glavne tehnične specifikacije in parametre v ustreznem razdelku poglavja.
- (3) Generator lahko obremenite, ko indikator voltmetra kaže 230 (+-10 %) (50 Hz) na plošči krmilne omarice.
- (4) Priključite napravo.

Pozor: Ne zaženite dveh ali več strojev hkrati. Zaganjajte jih enega za drugim. Ne uporabljajte reflektorjev skupaj z drugimi stroji.

(5) Pred priključitvijo na generator se prepričajte, da so vse naprave v dobrem delovnem stanju; če naprava začne delovati nenormalno, počasi ali se nenadoma ustavi, takoj izklopite generator. Nato napravo odklopite in jo pregledajte, če kaže znake nepravilnega delovanja. Če preobremenitev tokokroga sproži zaščito tokokroga za izmenični tok, zmanjšajte električno obremenitev tokokroga in počakajte nekaj minut, preden nadaljujete z delovanjem. Če je prikaz voltmetra prenizek ali previsok, ustavite napravo in jo pregledajte zaradi vzroka okvare.

Uporaba enosmernega toka

Priključek DC se lahko uporablja samo za polnjenje 12-voltnih avtomatskih akumulatorjev. (1) Če uporabljate akumulatorje avtomobilskega tipa z baterijskimi kabli, pred polnjenjem obvezno odklopite minuspolni baterijski kabel od akumulatorja. (2) Zagon motorja. (3) Polnilni kabel priključite na priključke akumulatorja in priključke enosmernega toka generatorja. Pozitivno sponko akumulatorja priključite na pozitivno sponko generatorja. Polnilnih kablov ne obračajte, sicer lahko pride do resnih poškodb generatorja in/ali akumulatorja. Ne dovolite, da bi se prosti konci kabla dotikali drug drugega. Če se to zgodi, bo prišlo do kratkega stika v akumulatorju. Pri polnjenju akumulatorja z veliko kapaciteto teče prevelik tok (vrednost je odvisna od stanja praznjenja) in varovalka za enosmerni tok bo pregorela. (4) Pri baterijah nastajajo eksplozivni plini. Iskre, plamene in cigarete hranite na dobri razdalji. Da preprečite možnost nastanka iskre v bližini akumulatorja, polnilne kable vedno najprej priključite na akumulator in šele nato na generator. Pri odklopu morate najprej odklopiti kable pri generatorju. (5) Baterijo polnite na dobro prezračevanem mestu. Pred polnjenjem odstranite pokrovček z vsake celice akumulatorja. Polnjenje prekinite, če temperatura elektrolita preseže 45 °C.

Pozor: Ne poskušajte zagnati avtomobilskega motorja, če je generator še vedno priključen na akumulator. Ne uporabljajte 12-voltne enosmerne in izmenične toka hkrati.

Ustavitev generatorja

Upoštevajte, da morate pri ustavljanju (in zagonu) generatorja BGB9000 natančno upoštevati začetna navodila. Ustavitev in zagon BGB9500 se preprosto izvede z ustreznim stikalom, nadaljnja podrobna razlaga ni potrebna.



Ročica hitrosti motorja



Ročica pipe za gorivo

Postopek rednih pregledov in vzdrževanja

Redni pregledi in vzdrževanje so zelo pomembni za ohranjanje dobrega stanja in vzdržljivosti motorja. Generator je sestavljen iz dizelskega motorja, alternatorja, krmilne enote, okvirja itd. Za vsak del preberite podroben opis v navodilih za uporabo.

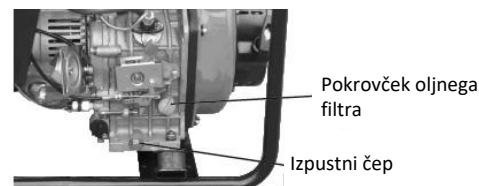
Pred izvajanjem in vzdrževanjem izklopite motor. Če mora motor delovati, poskrbite, da je prostor dobro prezračen. Izpušni plini vsebujejo strupen plin ogljikov monoksid. po uporabi motorja ga takoj očistite s krpo, da preprečite korozijo in odstranite usedline.

Obdobje storitve redno	Dnevni pregled	Prvi mesec ali 10 ur	Vsaki 3 mesecev ali 100 ure	Vsaki 4,5 meseca ali 200 ur	Vsako leto ali 1000 ur
Preverite in dopolnite gorivo	o				
Izpustite rezervoar za gorivo F.O.		o			
Preverite in dopolnite mazalno olje	o				
Preverite uhajanje olja	o				
Preverite in zategnite vse dele motorja	o			● (tesneje vijaki za glavo)	
Zamenjava mazalnega olja		o (prvič)	o (2. in naslednje)		
Očistite oljni filter			o (čisto)	o (zamenjava)	
Zamenjava elementa čistilca zraka	pogostejše servisiranje pri uporabi v prašnih prostorih			o (zamenjava)	
Zamenjajte filter za gorivo	največ vsaki 100 ur				
Preverite črpalko za vbrizgavanje goriva				●	
Preverite šobo za vbrizgavanje goriva				●	
Preverite cev za gorivo				● (zamenjajte, če potrebno)	
Prilagodite zračnost ventilov za sesalne in izpušne ventile				● (prvič)	
Lap sesalni in izpušni ventili				⊕	●
Zamenjajte batne obroče					●
Preverite tekočino v akumulatorju	(Mesečno)				

"o" Zgornja tabela prikazuje, katere preglede je treba opraviti in kdaj jih je treba opraviti, oznaka (●) pomeni, da so potrebna posebna orodja in znanja, se posvetujte s prodajalcem.

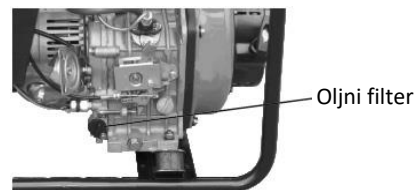
Menjava motornega olja (vsaki 100 ur)

Odstranite pokrovček za polnjenje olja. Odstranite izpušni čep in izpraznite izrabljeno olje, dokler je motor še topel. Čep se nahaja na dnu bloka valjev. Zategnite izpušni čep in ponovno napolnite s priporočenim oljem.



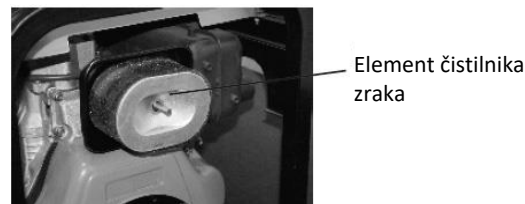
Čiščenje oljnega filtra

- Olni filter očistite vsake 4 mesece ali vsakih 200 ur delovanja.
- Po potrebi ga zamenjajte.



Zamenjava elementa čistilca zraka

Elementa za čiščenje zraka ne umivajte z detergentom, saj gre za suh tip elementa. Element čistilca zraka zamenjajte vsakih 6 mesecev ali 300 ur (ali prej, če je umazan). **POZOR:** Nikoli ne zaženite motorja brez elementa ali z okvarjenim elementom. Element pravočasno zamenjajte.



Zamenjava filtra za gorivo

Za zagotavljanje največje zmogljivosti motorja je treba redno čistiti tudi filter za gorivo.

- (1) Iz rezervoarja za gorivo izlijte gorivo.
- (2) Odvijte majhne vijake na pipi za gorivo in izvlecite filter iz rezervoarja za gorivo. Filter temeljito sperite z dizelskim gorivom, ponovno premaknite zaklepno matico, končni pokrovček in razpršilne diske ter očistite ogljikove obloge.

- Zamenjajte vsakih 100 ur

Opomba: Za zategovanje vijakov glave valja (glejte priručnik dizelskega motorja) je potrebno posebno orodje. Tega ne poskušajte sami.

Preverjanje vbrizgalne šobe, vbrizgalne črpalke itd.

- (1) Prilagajanje zračnosti glave ventila za sesalne in izpušne ventile.
- (2) Lapiranje sesalnega in izpušnega ventila.
- (3) Zamenjava batnega obroča.

Za vse to so potrebna posebna orodja in spretnosti. Preizkusa vbrizgalne šobe ne izvajajte v bližini odprtega ognja ali katere koli druge vrste ognja. Razpršeno gorivo se lahko vname. Razpršilu goriva ne izpostavljajte gole kože. Gorivo lahko prodre v kožo in povzroči telesne poškodbe. Svoje telo vedno držite stran od šobe za vbrizgavanje.

Preverjanje in dopolnjevanje tekočine v akumulatorju ter polnjenje in polnjenje akumulatorja

Ta dizelski motor uporablja 12V baterijo. Tekočina v akumulatorju se izgublja z nenehnim polnjenjem in praznjenjem. Pred zagonom preverite, ali je akumulator fizično poškodovan. Če odkrijete dejanske poškodbe, baterijo zamenjajte.

Dolgotrajno shranjevanje

Če naj bi bil vaš generator shranjen dlje časa, je treba opraviti naslednje priprave.

- Dizelski motor poganjajte približno 3 minute in ga ustavite.
- Ustavite dizelski motor, ko je še vroč, izpraznite staro mazivo dizelskega motornega olja in nato napolnite novo.
- Izvlecite čep na pokrovu dizelskega motorja in dodajte 2 ml maziva v valj ter končno namestite čep na prvotno mesto.
- Ohranjanje začetnega položaja
- (1) Ročni zagon Pritisnite ročico za zmanjševanje tlaka (položaj brez stiskanja), 2-3-krat povlecite ročico za odmetavanje. (Ne zaženite dizelskega motorja).
- (2) Električni zagon Ko je ročica za zagon v položaju brez kompresije, poganjajte dizelski motor 2-3 sekunde. Ko je stikalo v položaju za zagon, dizelskega motorja ne zaganjajte.
- Izvlecite ročico za zmanjševanje tlaka in počasi povlecite zaganjalnik odboja. Ko začutite, da je hitro, prenehajte vleči. (V tem času sta sesalni in izpušni ventil v stanju zaprtosti, kar je primerno za preprečevanje rje).
- Očistite ga in shranite v suhem prostoru.

	VZROK	RESOLUCIJA
Dizelskega motorja ni mogoče zagnati	Gorivo ne zadostuje	Dodajte dizelsko gorivo
	Stikalo ni v položaju "ON".	Obrnite ga v položaj "ON".
	Visokotlačna črpalka in šoba za olje ne moreta vbrizgati olja ali količina olja ni zadostna	Odstranite oljno šobo in jo popravite na preskusni mizi
	Ročica za upravljanje hitrosti ni v položaju "RUN".	Postavite krmilno ročico v položaj "RUN".
	Preverite raven maziva	Predpisana raven olja mora biti med zgornjim raven "H" in spodnji vzvod "L"
	Hitrost in sila za vleko zaganjalnika odboja nista zadostni	Dizelski motor zaženite v skladu z zahtevami. vanje začetnega operativnega postopka
	Šoba za olje je umazana	Očistite šobo za olje
	Baterija ni napolnjena ali ne deluje	ga napolnite ali zamenjajte z novim
Generator ne deluje	Glavno stikalo je zaprto	Glavno stikalo postavite v položaj "ON".
	Stik vtičnice ni dober	Prilagodite vtičnico
	Ni mogoče doseči nazivne hitrosti generatorja	Prilagodite ga glede na zahteve

Če je pri varjenju električni tok prevelik za določen postopek varjenja ali če se motor med varjenjem izklopi zaradi preobremenitve, lahko pride do poškodbe ali kratkega stika zaradi poškodbe ali kratkega stika regulatorja AVR.

Če električni tok ne nastaja, odnesite dizelski generator k ustreznemu prodajalcu ali v pooblaščen servisni center.

- Dodatna vprašanja in težave -

Če imate kakršno koli vprašanje ali težavo, ko se srečate pri svojem delovanju, se obrnite na naše podjetje ali našega trgovca in povejte naslednje informacije:

(1) Vrsta dizelskih generatorjev, št. in tip dizelskega motorja ter št. in tip generatorja.

(2) Status

Kakšno težavo je imel pri delovanju in pojasnite, s kolikšno hitrostjo deluje.

(3) Čas delovanja

(4) Drugo podrobno stanje, na primer, kdaj se je težava pojavila in kako pogosto, itd.

DODATEK

1. Seznam dodatne opreme in rezervnih delov s tem strojem

Številka	Ime	Enota	Količina	Opombe
1	Dizelski generator	Nastavi	1	
2	Komplet	Kos	1	
3	Plastični pokrov	Kos	1	
4	Potrdilo o kakovosti	Kos	1	

2. Tehnični dokumenti

Številka	Ime	Enota	Količina	Opombe
1	Priročnik dizelski motor- generator serije	Nastavi	1	

3. Komplet servisnih delov (opcija)

Številka	Ime	Enota	Količina	Opombe
1	Ključ 8-10	Nastavi	1	
2	Ključ 12-14	Kos	1	
3	Ključ 17-19	Kos	1	
4	Vijak	Kos	1	
5	Plastična vrečka	Kos	1	

- POZOR -

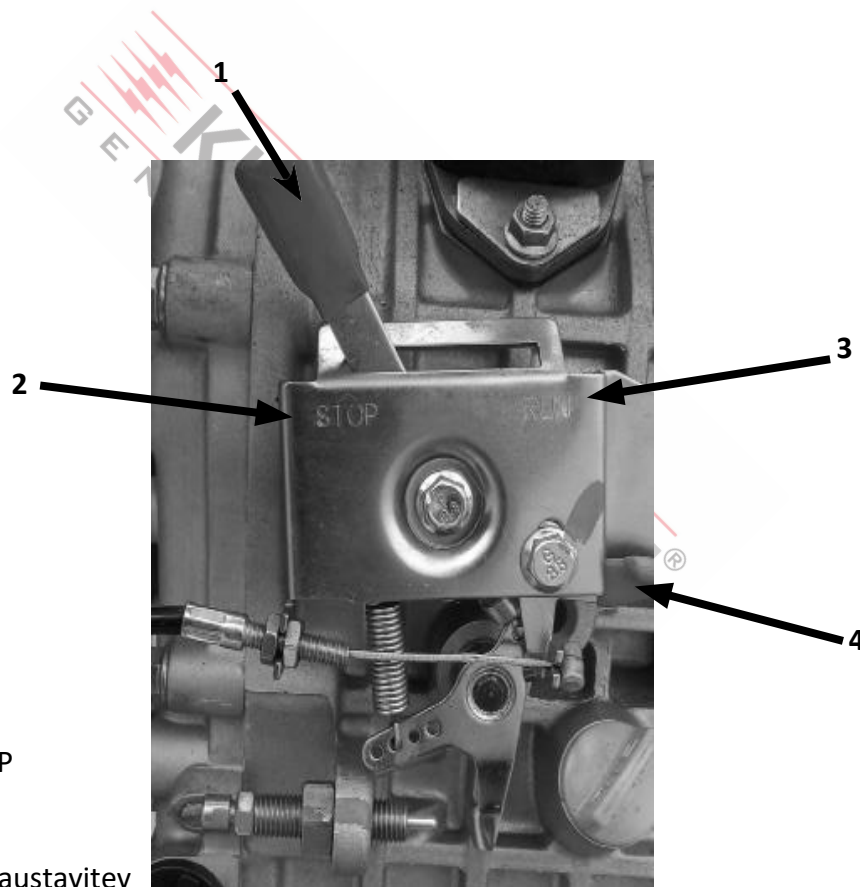
1. Ta izdelek je namenjen samo za uporabo na prostem na dobro prezračevanem prostoru.
2. Izdelek je namenjen proizvodnji električne energije.
3. Izdelek se ne sme uporabljati pod zemljo.
4. Izdelek se ne sme uporabljati v potencialno eksplozivnem okolju.
5. Izdelka ni mogoče priključiti neposredno na električno napajanje.

OPOMBA: Pri upravljanju motorja je treba nositi zaščito za ušesa.

POZOR
NAVODILA ZA ZAGON IN ZAUSTAVITEV ZA TIP GP7000/GP7500/BGB9000
GENERATORSKI SKLOP

Za zagon dizelskega generatorja se prepričajte, da ste opravili naslednje korake:

1. a) posoda za olje je pravilno napolnjena, b) v rezervoar za gorivo je dovaženo dovolj dizelskega goriva, c) akumulator je pravilno priključen.
2. Postavite **ročico RUN-STOP (1)** v položaj **RUN (3)** (in jo sprostite, takoj ko začutite, da je "kliknila v položaj" in da je trdno nameščena).
3. Obračamo ključ v zaganjalniku, dokler se dizelski generator ne zažene (če se ne zažene v prvih 3 do 4 sekundah, sprostimo ključ za nadaljnje 3 do 4 sekunde (da zaščitimo motor) in poskusimo znova. Če opazite težave pri zagonu generatorja, pri zagonu motorja hkrati z zaganjalnikom pritisnite dekompresor, kot je navedeno v navodilih.



1. Ročica RUN-STOP
2. Položaj STOP
3. Položaj RUN
4. ročica za ročno zaustavitev

Za izklop dizelskega generatorja :

1. Obrnite ključ v položaj **OFF** in agregat se izklopi.
2. Če se dizelski agregat ne izklopi, pritisnite **ročico za ročno izklopitev (4)**, opazite, da se **ročica RUN-STOP (1)** premakne v položaj **STOP (2)** in da se dizelski agregat nato izklopi.

Date tehnice ale generatoarelor diesel					
Model	GP7000MP	GP8000MA	GP8000MAT	GP10000MAT	GP14000MAT
Tensiune și frecvență nominală	230 V - 50 Hz	230 V - 50 Hz	230 V/ 400 AC - 50 Hz	230 / 400 AC - 50 Hz	230 V/ 400 AC - 50 Hz
Puterea nominală de ieșire (kW)	6,2 kVA	6,2 kVA	6,2 kVA	8,5 kVA	13 kVA
Putere maximă (kW)	6,6 kVA	6,6 kVA	6,6 kVA	9 kVA	14 kVA
Tensiune DC (Volt)	12	12	12	12	12
Reglarea tensiunii	AVR	AVR	AVR	AVR	AVR
Tip motor	4 timpi, răcit cu aer	4 timpi, răcit cu aer	4 timpi, răcit cu aer	4 timpi, răcit cu aer	4 timpi, răcit cu aer
Cilindree (cc)	418	418	418	499	954
Putere (hP)	10,5	10,5	10,5	9	20
Sistem de răcire	Motor răcit cu aer	Motor răcit cu aer	Motor răcit cu aer	Motor răcit cu aer	Motor răcit cu aer
Capacitatea rezervorului de ulei (lt)	1,65	1,65	1,65	1,65	3
Fuel Combustibil	Motorină Diesel	Motorină Diesel	Motorină Diesel	Motorină Diesel	Motorină Diesel
Capacitatea rezervorului de combustibil (lt)	12,5	16	16	25	60
Zgomot la o distanță de 7 metri (db(A))	≤ 82	≤ 82	≤ 82	≤ 71	≤ 69
Dimensiuni (L x P x A) (mm)	800 x 520 x 600	880 x 550 x 720	880 x 550 x 720	960 x 560 x 710	1160 x 670 x 940
Greutate (kg)	110	150	159	170	300
Prize	2 x 16 A, 1 x 12 V DC	2 x 16 A, 1 x 12 V DC	1x16A 230 V, 1x16 400 V, 1x12 V DC	1 x 16 A 230 V, 1 x 16 400 V, 1 X 12 V DC	1 x 16 A 230 V, 1 x 16 400 V DC, 1x12 V DC
Alte caracteristici	Cu starter, aluat	Tip închis	Tip închis, trifazic	Tip închis, trifazic	Tip închis, trifazic

Precauții de siguranță

1. Copiii trebuie să fie ținuți la o distanță sigură față de generator. 2. Nu atingeți motorul și toba de eșapament în timp ce generatorul funcționează sau doar să fie dat mai încet pentru a evita emprozările. 3. Vă rugăm să acordați atenție autocolantului de avertizare de pe generator. 3. Echipamentul electric (inclusiv cablul și componenta de conectare a fișei) trebuie să fie în stare bună înainte de pornire. 4. Noul întrerupător de circuit trebuie să se afle sub același nivel de performanță, caracteristică și parametri cu cel anterior pentru înlocuire. 5. Din cauza stresului mecanic ridicat, este permisă utilizarea numai a cablurilor cu înveliș de cauciuc sau a produselor de paritate. 6. Atunci când se utilizează cabluri de prelungire sau dulapuri de distribuție mobile, cablurile cu secțiunea transversală de 1,5 milimetri pătrați nu trebuie să fie mai lungi de 60 de metri; pentru secțiunea transversală de 2,5 milimetri, cablurile nu trebuie să fie mai lungi de 100 de metri. 7. În cazul motorului cu pornire manuală, trebuie prevenit pericolul de schimbare bruscă a direcției de rotație. 8. În condiții standard de lucru de circumstanță, generatorul ar putea încărca numai la puterea nominală. În cazul în care condiția de lucru a circumstanței nu este standard, generatorul ar trebui să funcționeze la o putere mai mică. 9. Când temperatura, altitudinea și umiditatea sunt mai mari decât condiția de lucru standard a circumstanței, generatorul ar reduce puterea. 9. Înainte de verificarea și întreținerea generatorului, motorul trebuie oprit. Pentru a dezambla bujia și cheia de pornire pentru a vă asigura că motorul nu ar fi pornit în mod necorespunzător. Apoi, verificați și întrețineți generatorul în calendarul programat de reparații. 10. Cu excepția întreținerii și curățării zilnice, verificarea și reglarea trebuie conduse de o persoană profesionistă autorizată și aprovizionarea cu componentele solicitate de către aceasta (contactați distribuitorii locali). 11. Mașina nouă sau abia revizuită trebuie să suporte perioada de rodaj de cel puțin 30 de ore, iar puterea nu trebuie să depășească 75% din puterea nominală.

Introducere

Această serie de generatoare diesel adoptă un motor diesel de tip super-ușor, răcit cu aer, cu injecție directă în 4 timpi și are două moduri de pornire opționale (tip cadru deschis), și anume, pornire cu recul (manuală) și pornire electrică și pornire electrică numai pentru tipul silențios. Acestea sunt echipate cu un rezervor de combustibil de mare capacitate, dispozitiv de protecție a circuitului, dispozitiv de ieșire cu tensiune dublă AC & DC, alarmă de presiune scăzută a uleiului și dispozitiv de oprire automată.

Generatoarele diesel servesc ca sursă de alimentare de rezervă. Acest manual descrie modul de operare, întreținere și service al acestor generatoare diesel. Vă rugăm să citiți și să înțelegeți pe deplin aceste instrucțiuni înainte de a utiliza grupul generator diesel, pentru a asigura o manevrare și o funcționare corespunzătoare.

Urmați cu atenție instrucțiunile pentru a vă menține grupul generator diesel în cele mai bune condiții de funcționare, ceea ce va prelungi, în același timp, durata de viață a generatorului diesel. În cazul în care aveți întrebări suplimentare referitoare la acest manual sau sugestii, vă rugăm să contactați direct dealerul nostru sau departamentul de service autorizat al companiei noastre.

Apariția seriei de generatoare diesel

Tip cadru deschis



Tip silențios



Parametrii de bază

Grupul electrogenerator poate genera puterea de ieșire nominală în următoarele condiții:

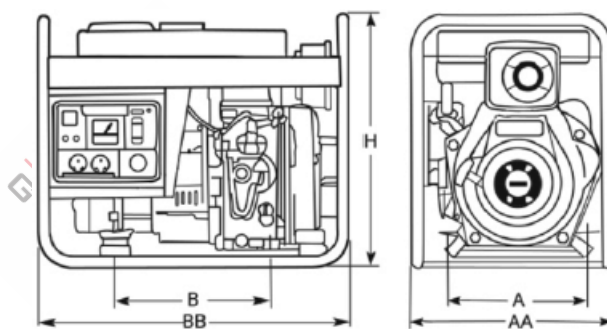
Altitudine (m)	Temperatura ambiantă (° C)	Umiditate relativă
0	+20	60%

Grupul electrogenerator poate genera puterea specificată și poate funcționa în mod fiabil în următoarele condiții:

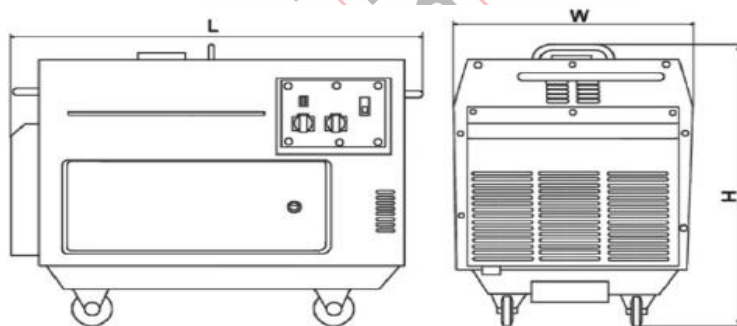
Altitudine (m)	Temperatura ambiantă (° C)	Umiditate relativă
< 1000 (m)	5 - 40	90%

Schiță și dimensiuni de instalare

- Schița și dimensiunile de instalare a generatorului diesel (tip cadru deschis)

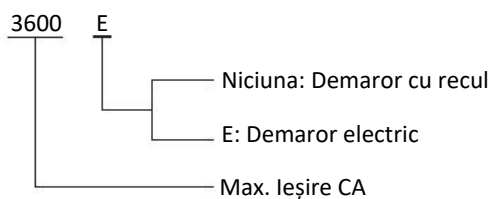


- Schița și dimensiunile de instalare a generatorului diesel (tip silențios)

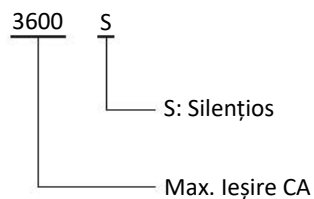


- Tipul și codul generatorului diesel

Tip cadru deschis



Tip silențios



Ofuncționarea generatorului diesel (grup electrogen)

Vă rugăm să citiți și să înțelegeți acest manual de utilizare pentru a asigura o funcționare sigură și să acordați o atenție deosebită următoarelor puncte principale de funcționare, în caz contrar pot avea loc vătămări corporale și deteriorări ale echipamentului.

Prevenirea incendiilor

Combustibilul motorului diesel este motorină ușoară, deci nu trebuie să se folosească benzină, kerosen etc. Ștergeți toate scurgerile de combustibil cu o cârpă curată. Țineți benzina, kerosenul, chibriturile și alți explozibili și materiale inflamabile departe de generator, deoarece temperatura din jurul tobei de eșapament este foarte ridicată în timpul funcționării. Pentru a preveni pericolele de incendiu și pentru a asigura o ventilație adecvată, țineți generatorul la cel puțin 1,5 metri distanță de clădiri și alte echipamente în timpul funcționării. Utilizați generatorul pe o suprafață plană, se poate produce o scurgere de combustibil dacă generatorul este înclinat.

Prevenirea inhalării gazelor de eșapament

Gazele de eșapament conțin monoxid de carbon otrăvitor. Nu utilizați niciodată generatorul în locuri slab ventilate. În cazul în care funcționarea în interior este inevitabilă, asigurați o ventilație adecvată, astfel încât oamenii și vitele să nu fie afectate.

Prevenirea arsurilor

Nu atingeți niciodată toba de eșapament sau capacul acesteia în timp ce motorul este în funcțiune sau fierbinte.

Șocuri electrice, scurtcircuitate

Pentru a evita șocurile electrice sau scurtcircuitate, nu atingeți generatorul când acesta sau mâinile dumneavoastră sunt ude. Acest generator nu este rezistent la apă, deci nu trebuie utilizat într-un loc expus la ploaie, zăpadă sau stropi de apă.

Atenție: Majoritatea motoarelor aparatelor electrocasnice necesită mai mult decât puterea lor nominală pentru pornire. Nu depășiți limita de curent specificată pentru o singură priză.

Generatorul trebuie să fie legat la pământ pentru a preveni șocurile electrice. Vă rugăm să conectați o lungime de cablu gros între borna de împământare a generatorului și un dispozitiv de împământare extern. Vă rugăm să consultați următoarele figuri.

Nu conectați alte echipamente la generator înainte de a-l porni.

Alte puncte principale sigure

Să știți cum să opriți rapid generatorul și să înțelegeți cum să acționați toate comenzile. Nu permiteți niciodată nimănui să opereze generatorul fără instrucțiuni corespunzătoare. Purtați întotdeauna o cască de protecție și încălțăminte de siguranță și haine adecvate, țineți animalele de companie și copiii departe de generator atunci când acesta este în funcțiune.

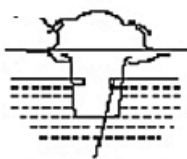


Încărcarea bateriei

Electrolitul bateriei conține acid sulfuric. Protejați-vă ochii, pielea și hainele. În caz de contact, spălați bine cu apă și solicitați imediat asistență medicală, mai ales dacă vă sunt afectați ochii. Bateriile generează hidrogen gazos, care poate produce flăcări sau scântei în apropierea unei baterii, în special în timpul încărcării. Încărcați bateria într-un pl complet ventilat. Atunci când un dispozitiv periferic utilizează un generator de energie cu volan, nu deconectați conexiunile bateriei de la motor, pentru că ar putea provoca deteriorarea perifericului.

Pregătiri înainte de pornire / Selectarea și manipularea combustibilului

Rezervor de combustibil: se poate utiliza numai motorină ușoară. Combustibilul trebuie să fie filtrat. Combustibilul nu trebuie să conțină apă sau praf, deoarece acestea cauzează probleme la duza pompei de injecție a combustibilului.



Atenție: Nu umpleți excesiv rezervorul dincolo de partea superioară a dopului roșu din interiorul filtrului rezervorului de combustibil.

Elementul de curățare a aerului:

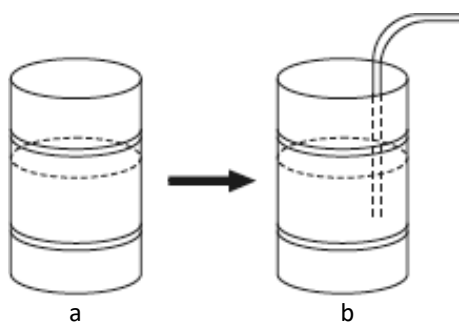
Nu spălați elementul filtrului de aer cu detergent. Înlocuiți elementul atunci când randamentul său scade sau când se observă o culoare proastă a exhaustului.

Atenție:

- Nu fumați și nu lăsați să apară scântei în zona în care motorul este realimentat sau unde este depozitată benzina.
- Nu vărsați combustibil atunci când alimentați, asigurați-vă că capacul filtrului este bine închis.

a. După achiziționarea combustibilului, lăsați tamburul să stea 3-4 zile.

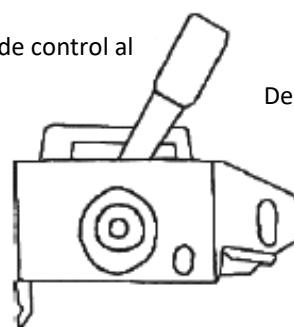
b. După 3-4 zile: Puneți o țeavă de aspirare la jumătatea tamburului. (Apa și praful se acumulează în partea inferioară a tamburului).



Pârghie de control al vitezei

Demaror/Pornitură

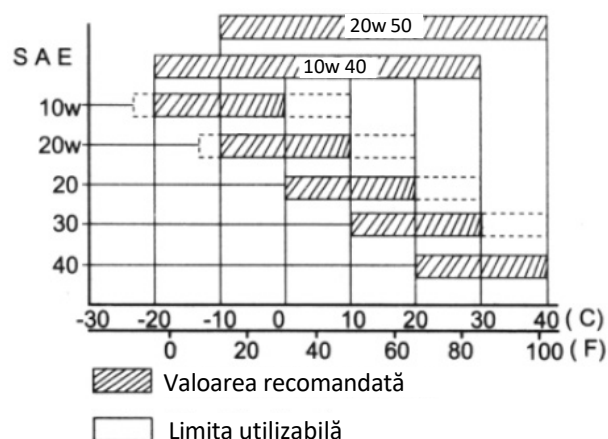
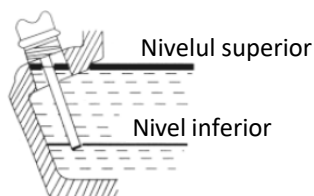
Stop



Selectarea și manipularea uleiului de lubrifiere

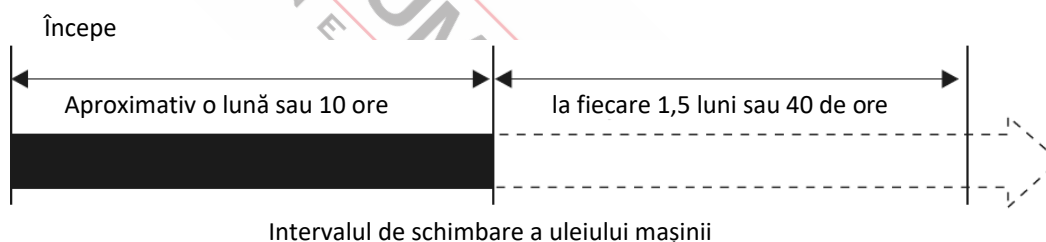
Intrarea lubrifianului:

Setați generatorul la nivel, umpleți uleiul de motor în orificiul de admisie a lubrifianului. Pentru a verifica nivelul de ulei, este suficient să introduceți jojă în tigaie. Nu înșurubați jojă.



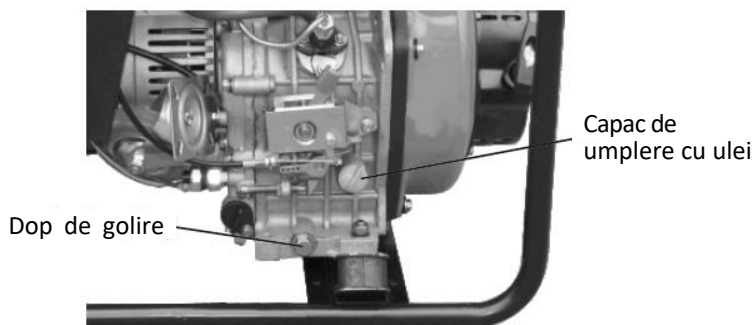
A.P.I. Clasificarea întreținerii pentru motorul diesel. Vă recomandăm A.P.I. CC sau CD.

Nimic nu afectează mai mult performanța și durabilitatea generatorului decât uleiul de lubrifiere pe care îl utilizați. Dacă se utilizează un ulei de calitate inferioară sau dacă uleiul de motor nu este schimbat în mod regulat, riscul de gripare a pistonului, de lipire a segmentului de piston și de uzură accelerată a cămășii de cilindru, a rulmenților și a altor componente mobile crește semnificativ. Durata de viață a generatorului dumneavoastră poate fi scurtată serios.



Asigurați-vă că verificați nivelul de ulei și că umpleți cu ulei la nivelul specificat înainte de a porni generatorul, chiar dacă acesta este echipat cu un sistem de avertizare a presiunii scăzute a uleiului. Aveți grijă să goliți uleiul cât timp motorul este cald. Este dificil să goliți complet uleiul după răcire.

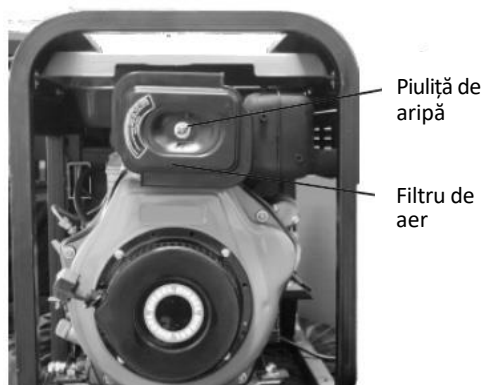
Atenție: Nu adăugați ulei în mașină atunci când motorul este în funcțiune.



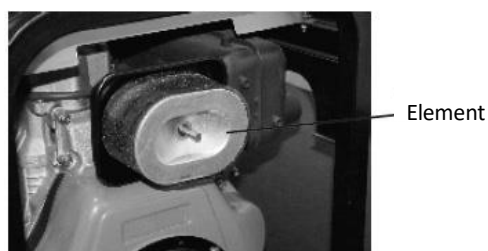
Verificați elementul filtrului de aer

(1) Slăbiți piulița cu aripi, detașați capacul filtrului de aer și scoateți-l elementul. Nu spălați elementul filtrului de aer cu detergent.

Elementul filtrului de aer trebuie schimbat atunci când ieșirea motorului scade sau culoarea gazelor de eșapament este anormală.



Nu puneți niciodată în funcțiune generatorul fără elementul de curățare a aerului. Acest lucru poate cauza uzura rapidă a motorului.



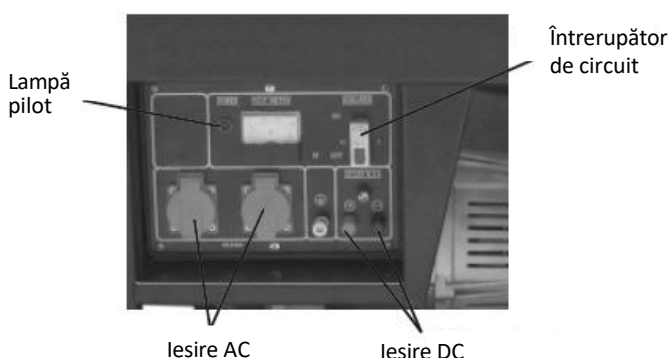
(2) Montați din nou capacul filtrului de aer și strângeți piulița cu aripi.

Opriți întrerupătorul principal și orice alte sarcini (cum ar fi întrerupătoarele de lumină și de motor)



Verificați generatorul

Opriți întrerupătorul principal și orice alte sarcini (cum ar fi întrerupătoarele de lumină și de motor)



Asigurați-vă că opriți întrerupătorul principal înainte de a porni generatorul. Dacă întrerupătorul nu se află în poziția "off", aplicarea bruscă a sarcinii ar putea fi foarte periculoasă, atunci când motorul diesel este pornit. Generatorul trebuie să fie legat la pământ pentru a preveni șocurile electrice.

Manipularea generatorului de tip tensiune dublă

Funcționarea comutatorului.

Înterupătorul de circuit de pe cutia de control trebuie utilizat atunci când se aplică curent alternativ, iar înterupătorul de aer trebuie să fie setat în poziția "OFF" înainte de a pune în funcțiune mașina. După pornirea grupului electrogenerator, viteza atinge viteza nominală, deci rotiți comutatorul în poziția "ON", astfel încât cele două prize să poată fi utilizate pentru ieșirea tensiunii nominale.

Setați înterupătorul principal în poziția "OFF" atunci când folosiți o sursă de 12 V pentru încărcare.

Terminalul ieșirii de 12 V poate fi utilizat pentru încărcarea cu tensiune de 12 V, utilizatorul poate furniza un comutator de încărcare pentru pornire sau oprire.

Combustibil și ulei de motor deja golite înainte de ieșirea din fabrică

Pentru a verifica conducta de ulei și pentru a afla dacă există aer amestecat în conductă, în caz afirmativ, scurgeți aerul din conductă înainte de a realimenta și de a porni motorul diesel. Metoda reală este aceea de a slăbi piulița de legătură dintre pompa de injecție și conducta și apoi de a scurge aerul până când nu mai există bule de aer din combustibil.

Inspectia și funcționarea motorului diesel

Sistem de avertizare/dispozitiv de oprire a uleiului scăzut.

Dispozitivul funcționează pentru a opri automat motorul atunci când presiunea uleiului scade sub nivelul de reglementare și pentru a preveni blocarea motorului atunci când uleiul de lubrifiere este în criză.

Temperatura uleiului va crește prea mult dacă motorul funcționează cu ulei de ungere insuficient. Pe de altă parte, o cantitate prea mare de ulei este periculoasă deoarece uleiul poate arde și poate provoca o creștere bruscă și excesivă a turației motorului, așa că, înainte de a pune în funcțiune mașina, asigurați-vă că verificați uleiul și alimentați uleiul la nivelul specificat.

Cum se deschide ușa și capacul dulapului (generator diesel)

(1) Deschideți ușa dulapului și ridicați ușa și verificați zilnic.



(2) Slăbiți șurubul și deschideți capacul pentru a verifica filtrul de aer.

(3) Pentru a verifica capacul exterior al duzei, slăbiți piulița și deschideți capacul.



Operațiune de rodaj

Cât timp generatorul este încă nou, aplicarea de sarcini grele poate scurta durata de viață a motorului. Urmați procedurile de rodaj în primele 20 de ore.

- (1) Evitați să aplicați sarcini grele în timpul perioadei de rodaj.
- (2) Schimbați regulat uleiul de motor.

Schimbați uleiul de motor la fiecare 10 ore sau o lună după prima utilizare și, ulterior, la fiecare 1,5 luni sau 40 de ore.

Pornirea generatorului

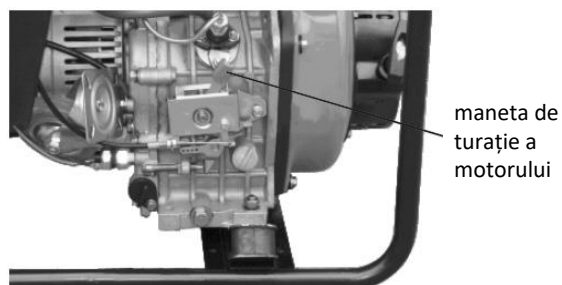
Pornirea cu recul (pornire manuală)

Motorul este pornit în modul descris mai jos.

1. Deschideți robinetul de combustibil (în poziția "ON").
2. Puneți maneta de turație a motorului în poziția "RUN".
3. Scoateți mânerul de pornire a reculului.



1. Trageți mânerul până în punctul în care mâinile dumneavoastră se simt puternice și rezistente, apoi readuceți-l în poziția inițială.



2. Împingeți în jos maneta de decompresie. (Aceasta se va întoarce automat atunci când se trage starterul de recul)

3. Scoateți cu ambele mâini mânerul de pornire a reculului cu putere.

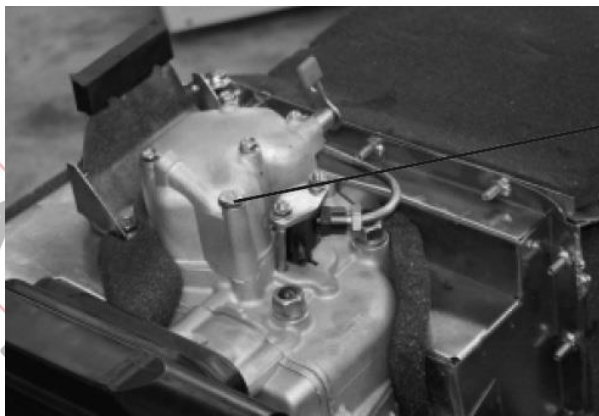
Nu lăsați mânerul mânerului să se reazemă de motor. Întoarceți-o ușor pentru a preveni deteriorarea demarorului, la pornire (sau după pornire).

ATENȚIE ! Nu scoateți niciodată mânerul de pornire când motorul diesel este în funcțiune, altfel veți deteriora motorul.



4. Pe vreme rece, când motorul diesel este greu de pornit, scoateți bușonul de pe capacul culbutorului și adăugați 2 cc de ulei de motor. Înlocuiți bușonul înainte de pornire.

Păstrați bușonul în capac, cu excepția cazului în care adăugați ulei, altfel ploaia, murdăria și alți contaminanți pot pătrunde în motor și pot cauza uzura accelerată a pieselor interne. Acest lucru poate cauza probleme grave.



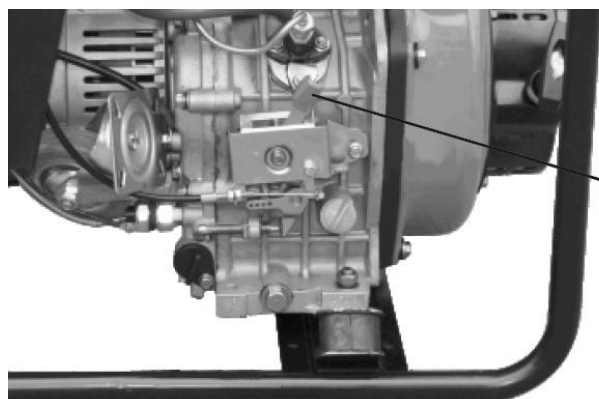
maneta de decompresie

Pornirea electrică

1. Pornirea (Pregătirea pentru pornirea electrică este aceeași cu cea pentru pornirea cu recul).

- (1) Deschideți robinetul de combustibil.
- (2) Lăsați maneta de turație a motorului în poziția "RUN".
- (3) Rotiți cheia de pornire în sensul acelor de ceasornic până la poziția "Start".
- (4) Îndepărtați mâna de pe cheie imediat ce motorul pornește și lăsați cheia să revină automat în poziția inițială.
- (5) Dacă motorul nu pornește după 10 secunde, vă rugăm să așteptați aproximativ 15 secunde înainte de a încerca să porniți din nou.

Atenție: Dacă pornirea motorului durează prea mult timp, bateria se va confrunta cu defecțiuni. Lăsați întotdeauna cheia de pornire pornită, în poziția "ON", în timp ce motorul este în funcțiune.

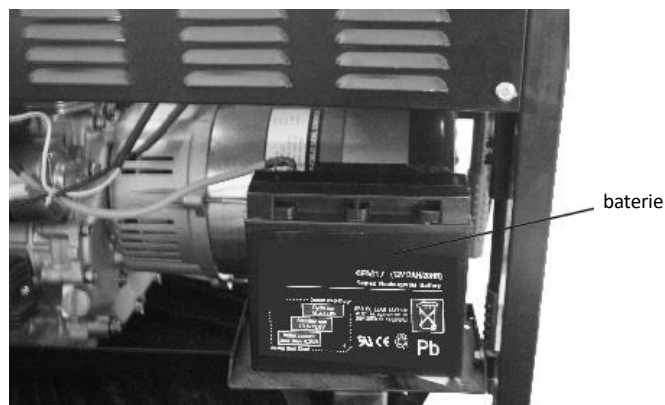


fișă

Baterie

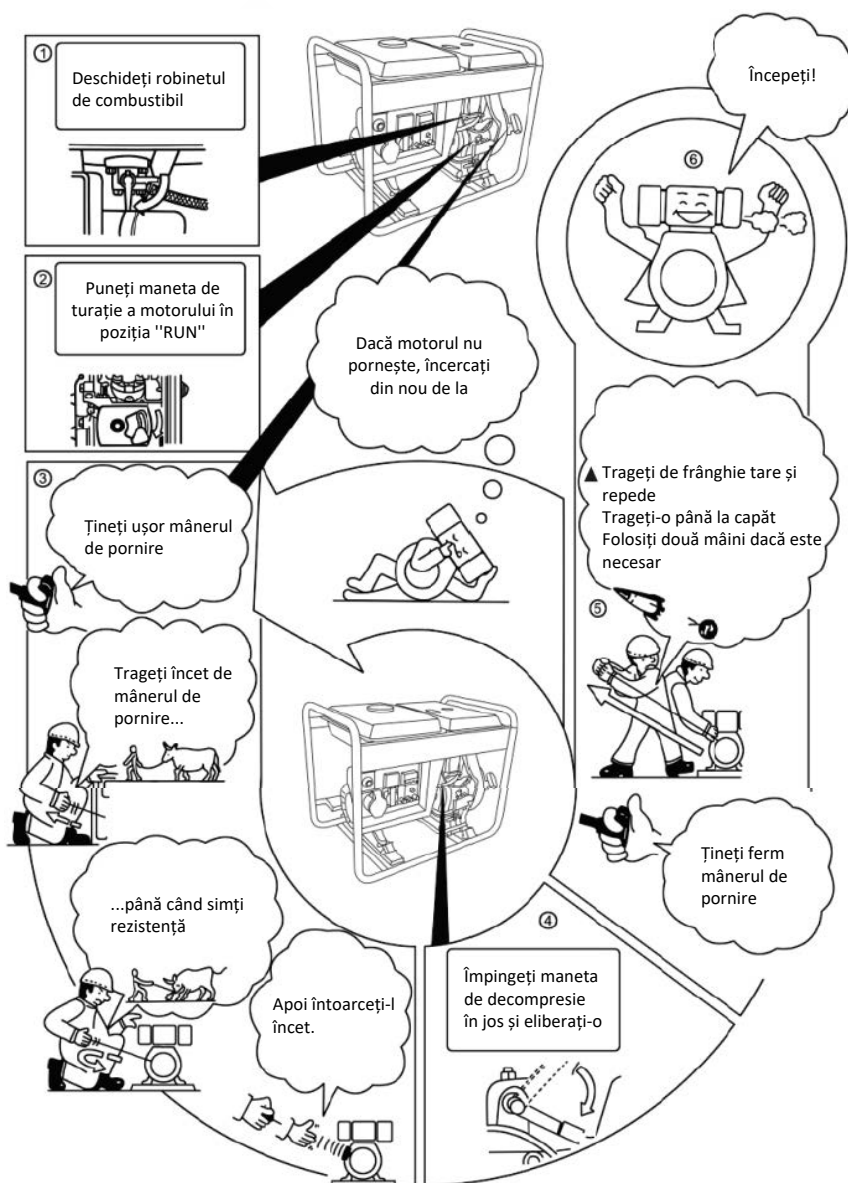
Verificați starea lichidului din baterie o dată pe lună, în funcție de culoarea care apare la exterior:

1. Culoare verde, baterie OK
2. Culoare albă, bateria trebuie încărcată
3. Culoare neagră : bateria trebuie înlocuită.



Secvența de pornire a generatorului

Această secvență de pornire este adecvată numai pentru pornirea cu recul a generatorului diesel de tip cadru deschis.





Cum să folosiți corect generatorul

Funcționarea generatorului

(1) Încălziți motorul fără sarcină timp de aproximativ 3 minute.

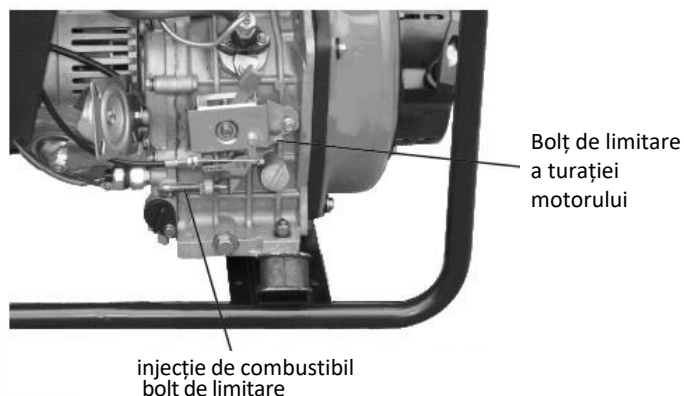
(2) Generatorul este echipat cu un sistem de avertizare a nivelului scăzut de ulei. Motorul se va opri automat în cazul unei presiuni scăzute a uleiului sau al unei lipse de ulei de lubrifiere. Motorul se va opri imediat dacă este repornit fără o reumplere a uleiului de lubrifiere. Pentru a verifica nivelul uleiului și pentru a-l reumple.

(3) Nu slăbiți sau reajustați nici șurubul de limitare a turației motorului, nici șurubul de limitare a injecției de combustibil (acestea au fost deja bine reglate înainte de ieșirea din fabrică), în caz contrar, performanța poate fi afectată.

Se verifică în timpul funcționării:

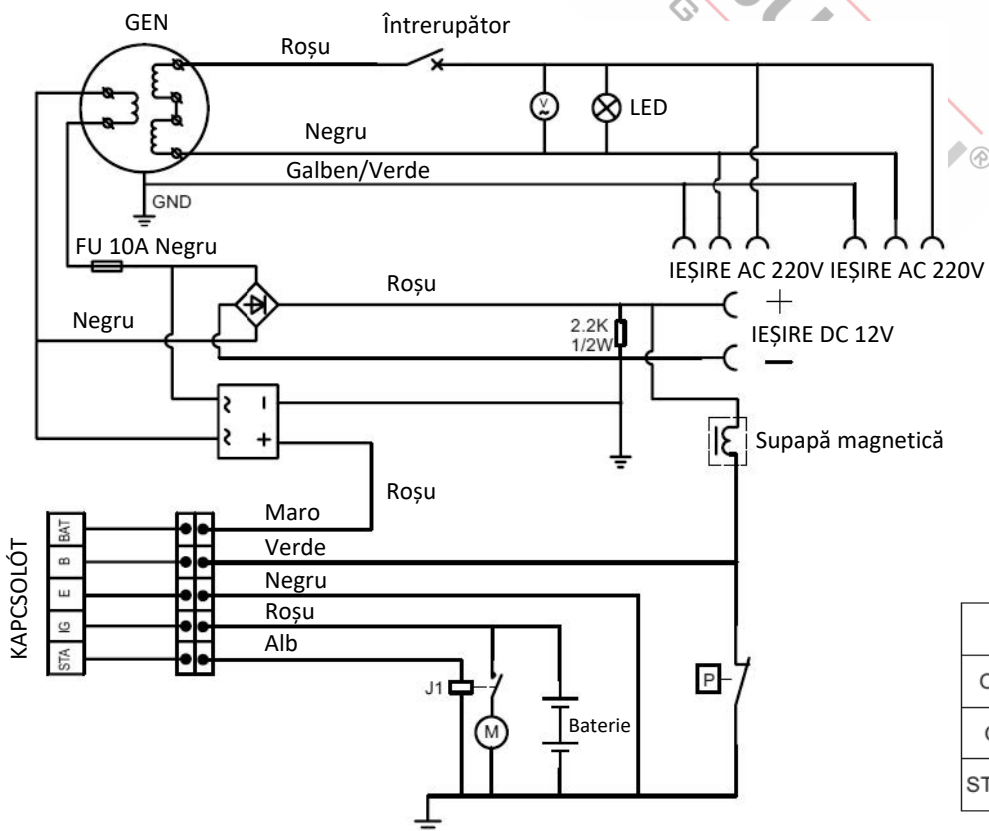
- (1) Vreun sunet sau vibrație anormală?
- (2) Motorul are rateuri de aprindere sau funcționează neregulat.
- (3) Dar culoarea gazelor de eșapament (este neagră sau prea albă)?

Dacă observați oricare dintre fenomenele de mai sus, opriți motorul și consultați cel mai apropiat dealer sau contactați compania noastră.



Încărcare

Pentru a adăuga sarcina în funcție de parametrii specificați. Pentru diagrama de principiu electrică a generatorului, vă rugăm să consultați următorul desen.



COMUTATOR

	IG	BAT	STA	E	B
OFF				○—○	
ON	○—○				
START	○—○	○—○			

Aplicație AC

- (1) Porniți motorul și asigurați-vă că lampa pilot se aprinde. Dacă nu se aprinde, este posibil ca filamentul să se fi ars.
- (2) Viteza generatorului trebuie să atingă viteza nominală (maneta din partea de sus). Pentru viteza nominală a generatorului, consultați specificațiile și parametrii tehnici principali la secțiunea corespunzătoare din capitolul respectiv.
- (3) Generatorul se poate încărca atunci când indicatorul voltmetrului arată 230(+/-10%) (50Hz) pe panoul de control.
- (4) Conectați aparatul la priză.

Atenție: Nu porniți două sau mai multe mașini simultan. Porniți-le una câte una. Nu folosiți proiectoarele împreună cu alte mașini.

(5) Asigurați-vă că toate aparatele sunt în stare bună de funcționare înainte de a le conecta la generator; dacă un aparat începe să funcționeze anormal, devine lent sau se oprește brusc, opriți imediat generatorul. Apoi deconectați aparatul și examinați-l pentru a vedea dacă există semne de funcționare defectuoasă. Dacă supraîncărcarea circuitului declanșează dispozitivul de protecție a circuitului de curent alternativ, reduceți sarcina electrică pe circuit și așteptați câteva minute înainte de a relua funcționarea. Dacă indicația voltmetrului este prea mică sau prea mare, opriți aparatul și examinați-l pentru a găsi cauza defecțiunii.

Aplicație DC

Terminalul de curent continuu poate fi utilizat numai pentru încărcarea bateriilor de tip automat de 12 volți. (1) Atunci când utilizați baterii de tip auto cu cabluri de baterie, asigurați-vă că deconectați cablul de baterie cu polul minus de la baterie înainte de încărcare. (2) Porniți motorul. (3) Conectați cablul de încărcare la bornele bateriei și la bornele de curent continuu ale generatorului. Conectați borna pozitivă a bateriei la borna pozitivă a generatorului. Nu inversați cablurile de încărcare, altfel se pot produce deteriorări grave ale generatorului și/sau ale bateriei. Nu permiteți ca capetele libere ale cablului să se atingă între ele. Dacă se întâmplă acest lucru, se va produce un scurtcircuit al bateriei. Când se încarcă o baterie de capacitate mare, curge un curent excesiv (valoarea variază în funcție de starea de descărcare), iar siguranța pentru curent continuu se va arde. (4) Bateriile produc gaze explozive. Țineți scânteii, flăcări și țigări la distanță mare. Pentru a preveni posibilitatea de a crea o scânteie în apropierea bateriei, conectați întotdeauna cablurile de încărcare mai întâi la baterie și numai apoi la generator. La deconectare, trebuie să deconectați mai întâi cablurile de la generator. (5) Încărcați bateria într-un loc bine ventilat. Înainte de încărcare, îndepărtați capacul de la fiecare celulă a bateriei. Întrerupeți încărcarea dacă temperatura electrolitului depășește 45°C.

Atenție: Nu încercați să porniți un motor de automobil în timp ce generatorul este încă conectat la baterie. Nu utilizați în același timp curentul continuu de 12 volți și curent alternativ.

Oprirea generatorului

Vă rugăm să rețineți că pentru oprirea (precum și pentru pornirea) generatorului BGB9000, trebuie să urmați cu atenție instrucțiunile inițiale. Oprirea și pornirea generatorului BGB9500 se face pur și simplu cu ajutorul comutatorului respectiv, nu sunt necesare alte explicații detaliate.



Verificări periodice și procedura de întreținere

Verificarea și întreținerea periodică sunt foarte importante pentru a menține motorul în stare bună și durabil. Generatorul este format din motor diesel, alternator, cutie de control și cadru etc.. Vă rugăm să citiți descrierea detaliată a manualului de utilizare pentru fiecare parte.

Opriti motorul înainte de a efectua și întreținerea. Dacă motorul trebuie să funcționeze, asigurați-vă că zona este bine ventilată. Țeava de eșapament conține gaz otrăvitor de monoxid de carbon. după ce motorul a fost utilizat, curățați-l imediat cu o cârpă pentru a preveni coroziunea și a îndepărta sedimentele.

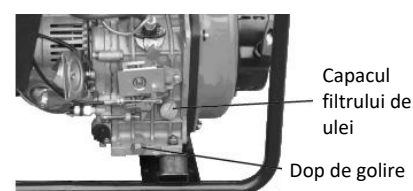
Perioadă de serviciu regulat	Verificarea zilnică	Prima lună sau 10 ore	La fiecare 3 luni sau 100 de ore	La fiecare 4,5 luni sau 200 de ore	În fiecare an sau 1000 de ore
Articolul					
Verificarea și realimentarea cu combustibil	○				
Goliți rezervorul de combustibil F.O.		○			
Verificarea și reumplerea uleiului de lubrifiere	○				
Verificați dacă există scurgeri de ulei	○				
Verificați și strângeți fiecare piesă a motorului	○			● (strângeți șuruburi de cap)	
Schimbarea uleiului de lubrifiere		○ (prima dată)	○ (al doilea și următoarele)		
Curățați filtrul de ulei			○ (curat)	○ (înlocuiți)	
Înlocuirea elementului filtrului de aer	Întreținere mai frecventă atunci când este utilizat în zone cu praf			○ (înlocuiți)	
Înlocuiți filtrul de combustibil	la fiecare 100 de ore cel mult				
Verificați pompa de injecție a combustibilului				●	
Verificați duza de injecție a combustibilului				●	
Verificați conducta de combustibil				● (se înlocuiește dacă necesare)	
Reglați jocul supapei pentru supapele de admisie și de evacuare				● (prima dată)	
Supape de admisie și de eșapament Lap					●
Înlocuiți inelele de piston					●
Verificați lichidul bateriei	(Lunar)				

"○" Graficul de mai sus indică ce verificări se fac și când se fac, marcajul

(●) indică faptul că sunt necesare unelte și abilități speciale, consultați dealerul dumneavoastră.

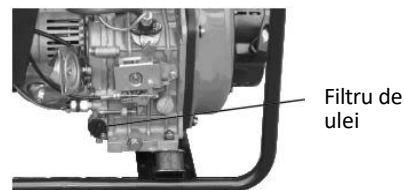
Schimbarea uleiului de motor (la fiecare 100 de ore)

Îndepărtați capacul de umplere cu ulei. Scoateți bușonul de golire și goliți uleiul uzat cât timp motorul este încă cald. Dopul este situat în partea inferioară a blocului cilindrilor. Strângeți bușonul de golire și reumpleți cu uleiul recomandat.



Curățarea filtrului de ulei

- Curățați filtrul de ulei la fiecare 4 luni sau la fiecare 200 de ore de funcționare.
- Înlocuiți-l dacă este necesar.



Filtru de ulei

Schimbarea elementului filtrului de aer

Nu spălați elementul filtrului de aer cu detergent, deoarece acesta este un element de tip uscat. Schimbați elementul filtrului de aer la fiecare 6 luni sau 300 de ore (sau mai devreme dacă este murdar). **ATENȚIE:** Nu porniți niciodată motorul fără element sau cu un element defect. Schimbați elementul la timp.



element de curățare a aerului

Înlocuirea filtrului de combustibil

De asemenea, filtrul de combustibil trebuie curățat în mod regulat pentru a asigura o putere maximă a motorului.

- (1) Scurgeți motorina din rezervorul de combustibil.
- (2) Slăbiți șuruburile mici ale robinetului de combustibil și scoateți filtrul din rezervorul de oxigen. Spălați bine filtrul cu motorină, îndepărtați din nou piulița de blocare, capacul de capăt și discurile de difuzie și curățați depozitul de carbon.

- Înlocuiți la fiecare 100 de ore

Notă: Strângerea șuruburilor capului cilindrului (consultați manualul motorului diesel) necesită o unealtă specială. Nu încercați să o faceți singur.

Verificarea duzei de injecție, a pompei de injecție etc.

- (1) Reglarea spațiului dintre capetele supapei pentru supapele de admisie și de evacuare.
- (2) Șlefuirea supapelor de admisie și de evacuare.
- (3) Înlocuirea inelului de piston.

Toate acestea necesită instrumente și competențe speciale. Nu efectuați testul duzei de injecție în apropierea unui foc deschis sau a oricărui alt tip de foc. Spray-ul de combustibil se poate aprinde. Nu expuneți pielea goală la jetul de combustibil. Combustibilul poate pătrunde în piele și poate provoca leziuni corporale. Țineți-vă întotdeauna corpul departe de duză.

Verificarea și reumplerea lichidului de baterie și încărcarea și a bateriei

Acest motor diesel utilizează o baterie de 12 V. Lichidul bateriei se va pierde prin încărcarea și descărcarea continuă. Înainte de a porni, verificați dacă bateria nu prezintă deteriorări fizice. Atunci când se descoperă daune reale, înlocuiți bateria.

Depozitare de lungă durată

În cazul în care generatorul dvs. trebuie depozitat pentru o perioadă lungă de timp, trebuie făcute următoarele pregătiri.

- Acționați motorul diesel timp de aproximativ 3 minute și opriți-l
- Opriți motorul diesel atunci când motorul diesel este încă fierbinte, scurgeți lubrifiantul vechi al motorului diesel, apoi umpleți-l pe cel nou.
- Scoateți bușonul de la capacul motorului diesel și adăugați 2 ml de lubrifiant în cilindru, iar în final puneți bușonul la locul său original.
- Menținerea poziției de pornire
- (1) Pornirea manuală Apăsați mânerul de reducere a presiunii (poziția de necomprimare), trageți mânerul de recul de 2-3 ori. (Nu porniți motorul diesel).
- (2) Pornirea electrică Când mânerul de pornire se află în poziția de necomprimare, acționați motorul diesel timp de 2-3 secunde. Când comutatorul este în poziția de pornire, nu' porniți motorul diesel.
- Trageți mânerul de reducere a presiunii în afară, trageți încet starterul de recul. Când simțiți rapiditatea, opriți tragerea. (În acest moment, supapa de admisie și de evacuare se află în starea de închidere, este potrivită pentru a preveni rugina).
- Curățați-l și depozitați-l într-un loc uscat.

	CAUZĂ	REZOLUȚIE
Motorul diesel nu poate porni	Combustibilul nu este suficient	Adăugați motorină
	Întreprupătorul nu este în poziția "ON".	Rotiți-l în poziția "ON"
	Pompa de înaltă presiune și duza de ulei nu pot injecta ulei sau cantitatea de ulei nu este suficientă	Scoateți duza de ulei și reparați-o la masa de testare
	Pârghia de control a vitezei nu este în poziția "RUN"	Puneți maneta de comandă în poziția "RUN"
	Verificați nivelul de lubrifiant	Nivelul de ulei specificat trebuie să fie între nivelul superior nivelul "H" și maneta inferioară "L"
	Viteza și forța de tragere a starterului cu recul nu sunt suficiente	Porniți motorul diesel în conformitate cu cerințele. mente ale procedurii de operare de pornire
	Duza de ulei este murdară	Curățați duza de ulei
	Bateria este neîncărcată sau nu funcționează	Încărcați-l sau înlocuiți-l cu unul nou
Generatorul nu funcționează	Întreprupătorul principal este închis	Puneți întreprupătorul principal în poziția "ON"
	Contactul prizei nu este bun	Reglați soclul
	Viteza nominală a generatorului nu poate fi atinsă	Reglați-l în funcție de cerințe

La sudare, dacă curentul electric este prea mare pentru procesul de sudare specific sau dacă motorul este oprit din cauza unei suprasarcini în timpul sudării, deteriorarea sau scurtcircuitul ar putea fi cauzate de deteriorarea sau scurtcircuitul regulatorului AVR. Dacă nu se generează curent electric, duceți generatorul diesel la dealerul respectiv sau la un centru de service autorizat.

- Întrebări și probleme suplimentare -

Dacă aveți orice întrebare sau problemă atunci când vă întâlniți în timpul funcționării, vă rugăm să contactați compania noastră sau dealerul nostru și să ne spuneți următoarele informații:

- (1) Tipul de grupuri electrogene diesel, numărul și tipul motorului diesel și numărul și tipul generatorului.
 - (2) Stare.
- Ce probleme au apărut la funcționare și explicați cu ce viteză se operează.
- (3) Timp de funcționare.
 - (4) Cealaltă condiție detaliată, de exemplu, când a avut loc problema și cât de des a avut loc, etc.

APENDICE

1. Lista accesoriilor și a pieselor de schimb cu acest utilaj

Nu.	Nume	Unitatea	Cantitate	Observații
1	Generator diesel	Set	1	
2	Kit	Bucată	1	
3	Capac de plastic	Bucată	1	
4	Certificat de calitate	Bucată	1	

2. Documente tehnice

Nu.	Nume	Unitatea	Cantitate	Observații
1	Manualul motorului diesel - generator de serie	Set	1	

3. Kit de piese de schimb pentru service (opțiune)

Nu.	Nume	Unitatea	Cantitate	Observații
1	Cheie 8-10	Set	1	
2	Cheie 12-14	Bucată	1	
3	Cheie 17-19	Bucată	1	
4	Șurub	Bucată	1	
5	Pungă de plastic	Bucată	1	

- ATENȚIE -

1. Acest produs este destinat exclusiv utilizării în aer liber, într-o zonă bine ventilată.
2. Produsul este destinat generării de energie electrică.
3. Produsul nu trebuie utilizat sub pământ.
4. Produsul nu trebuie utilizat într-o atmosferă potențial explozivă.
5. Produsul nu poate fi conectat direct la sursa de alimentare.

NOTE: În timpul funcționării motorului, trebuie să se poarte protecție pentru urechi.

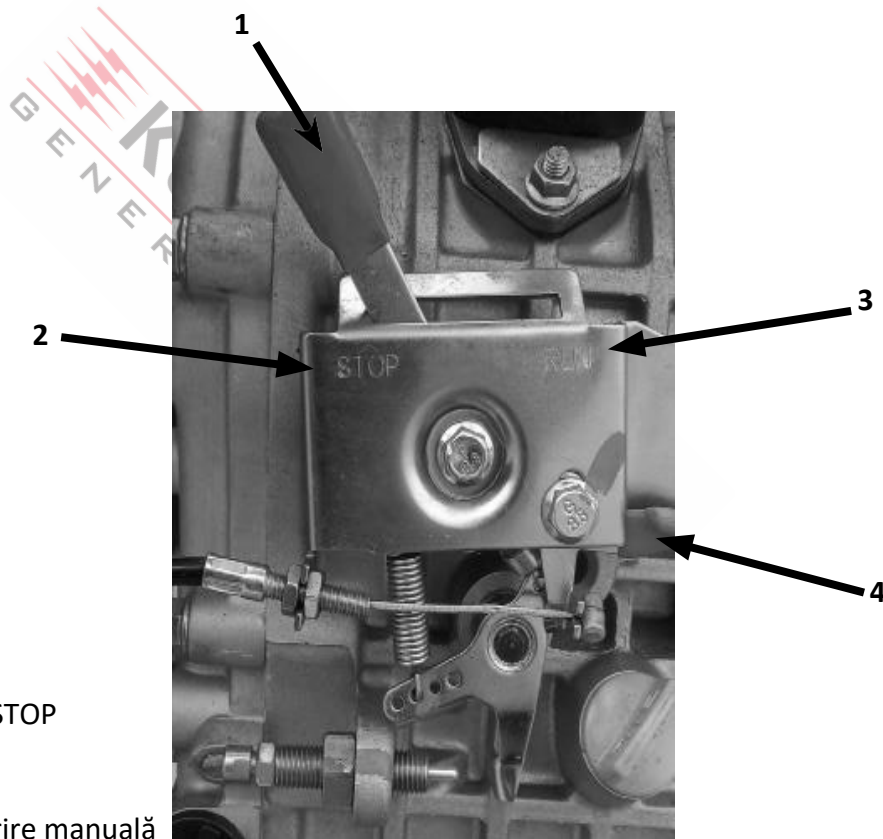
ATENȚIE
INSTRUCȚIUNI DE PORNIRE ȘI DE OPRIRE PENTRU TIPUL DE GRUP ELECTROGEN
GP7000/GP7500/BGB9000

Pentru a porni generatorul diesel, asigurați-vă că au fost parcurse următoarele etape:

1. a) rezervorul de ulei a fost umplut corespunzător, b) rezervorul de combustibil diesel a fost alimentat corespunzător, c) bateria a fost conectată corect.

2. Așezați **maneta RUN-STOP (1)** în poziția **RUN (3)** (și eliberați-o imediat ce simțiți că a "pocnit în poziție" și că rămâne ferm în poziție).

3. Rotim cheia în demaror până când generatorul diesel pornește (dacă nu pornește în primele 3-4 secunde, eliberăm cheia pentru încă 3-4 secunde (pentru a proteja motorul) și încercăm din nou. Dacă observați difi- cultăți cu pornirea grupului electrogenerator, apăsați decompresorul în același timp cu demarorul la pornirea motorului, așa cum se menționează în instrucțiuni.



1. Maneta RUN-STOP
2. Poziția STOP
3. Poziția RUN
4. Maneta de oprire manuală

Pentru a opri grupul diesel-generator:

1. Întoarceți cheia în poziția **OFF** și generatorul se oprește.

2. Dacă grupul diesel-generator nu se oprește, apăsați **maneta de oprire manuală (4)**, observați că **maneta RUN-STOP (1)** se deplasează în poziția **STOP (2)**, iar grupul diesel-generator se oprește ulterior.

EL

Οι γεννήτριες έχουν κατασκευαστεί με αυστηρά πρότυπα που έχει θέσει η εταιρεία και συνάδουν με τα ευρωπαϊκά πρότυπα ποιότητας. Για τις γεννήτριες παρέχεται περίοδος εγγύησης 24 μηνών για ερασιτεχνική χρήση και 12 μηνών για επαγγελματική χρήση. Η ισχύς της εγγύησης ξεκινά από την ημερομηνία αγοράς του προϊόντος. Αποδεικτικό του δικαιώματος της εγγύησης αποτελεί το παραστατικό αγοράς του μηχανήματος (απόδειξη λιανικής ή τιμολόγιο). Σε καμιά περίπτωση η εταιρεία δεν καλύπτει τη σχετική δαπάνη ανταλλακτικών και εργασίας εάν και εφόσον δε συνοδεύεται από αντίγραφο του παραστατικού. Σε περίπτωση που η επισκευή από την εταιρεία να γίνει στο service μας η δαπάνη μεταφοράς (από και προς) βαρύνει εξ' ολοκλήρου τον αποστολέα. Οι γεννήτριες αποστέλλονται για την επισκευή τους στην εταιρεία ή σε εξουσιοδοτημένο συνεργείο με τον ενδεδειγμένο τρόπο και μέσο μεταφοράς.

ΕΞΑΙΡΕΣΕΙΣ ΚΑΙ ΠΕΡΙΟΡΙΣΜΟΙ ΤΗΣ ΕΓΓΥΗΣΗΣ:

- 1) Εξαρτήματα που φθείρονται φυσιολογικά από τη χρήση τους (ρόδες, λαβές, μπουζί και λυπά).
- 2) Γεννήτριες που έχουν υποστεί ζημίες από τη μη συμμόρφωση με τις οδηγίες του κατασκευαστή.
- 3) Γεννήτριες με ελλιπή συντήρηση ή φροντίδα.
- 4) Βλάβες από υπέρβαση του μέγιστου φορτίου ή της μέγιστης διάρκειας συνεχόμενης λειτουργίας με βάση τις προδιαγραφές κάθε μοντέλου, όπως αναγράφονται στο εγχειρίδιο χρήσης.
- 5) Γεννήτριες που έχουν δοθεί χωρίς επιβάρυνση.
- 6) Αποθήκευση του μηχανήματος για μεγάλο διάστημα με καύσιμο.
- 7) Βλάβη που προήλθε από λανθασμένη συναρμολόγηση ή κακή εγκατάσταση.
- 8) Βλάβη που προέρχεται από λάθος μίξη καύσιμου με λάδι.
- 9) Βλάβη που οφείλεται σε κακή ποιότητας καύσιμο ή λυπαντικό.
- 10) Βλάβη από πλημμελή καθαρισμό του μηχανήματος.
- 11) Γεννήτριες που έχουν υποστεί τροποποιήσεις – αλλαγές ή έχουν ανοιχτεί από μη εξουσιοδοτημένο συνεργείο.
- 12) Γεννήτριες που χρησιμοποιούνται για νοικίαση.

Η εγγύηση καλύπτει αποκλειστικά τη δωρεάν αντικατάσταση του εξαρτήματος που έχει κατασκευαστικό ελάττωμα ή αστοχία υλικού. Σε περίπτωση έλλειψης ανταλλακτικού η εταιρεία διατηρεί το δικαίωμα αντικατάστασης του μηχανήματος με άλλο αντίστοιχο μοντέλο. Μετά τη διεκπεραίωση της εγγύησης ενός μηχανήματος, η εγγύηση δεν επιμηκύνεται ούτε ανανεώνεται. Αντικατάσταση ανταλλακτικού με χρέωση επισκευής, καλύπτεται από 1 χρόνο εγγύηση καλής λειτουργίας, με προϋπόθεση την τήρηση των όρων εγγύησης. Τα ανταλλακτικά ή οι γεννήτριες τα οποία αντικαθίστανται παραμένουν στην κατοχή της εταιρείας μας. Άλλες απαιτήσεις, εκτός από αυτές που αναφέρονται σε αυτό το έντυπο εγγύησης επισκευής των μηχανημάτων, δεν ισχύουν. Για την εγγύηση αυτή ισχύει το ελληνικό Δίκαιο.

EN

The generators have been manufactured according to strict standards, set by our company, which are aligned with the respective european quality standards. The generators are provided with a warranty period of 24 months for non-professional use and 12 months for professional use. The warranty is valid from the date of purchase of the product. Proof of the warranty right is the purchase document of the generator (retail receipt or invoice). Under no circumstances shall the company cover the relevant cost of spare parts and respective required working hours unless a copy of the purchase document is presented. In case the repair has to be done by our service department the cost of transportation (to and from) is entirely borne by the sender (client). The generators must be sent for repair to the company or to an authorized workshop in the appropriate way and means of transport.

WARRANTY EXEMPTIONS AND RESTRICTIONS:

- 1) Spare parts that wear out naturally as a consequence of being used (wheels, handles, spark plugs etc.).
- 2) Generators damaged as a result of non-compliance with the instructions of the manufacturer.
- 3) Generators poorly maintained.
- 4) Damages as a result of exceeding the maximum load or maximum duration of continuous operation according to the specifications of each generator type, as presented in the instructions manual.
- 5) Generators given to third entities free of charge.
- 6) Storing the generator for a long time with fuel.
- 7) Damage as a result of mistaken assembly or bad maintenance.
- 8) Damage as a result of mistaken mixing of fuel with oil.
- 9) Damage as a result of poor quality of fuel or lubricant.
- 10) Damage as a result of not cleaning the generator as required.
- 11) Generators that have been modified or disassembled by unauthorized personnel.
- 12) Generators used for rent.

The warranty covers only the free of charge replacement of the component that presents a manufacturing defect or material failure. In case of lack of a specific spare part the company reserves the right to replace the generator with another of the same kind. After all warranty procedures have been concluded, the warranty period of a generator shall not be extended or renewed. Replacement of a spare part with repair charge is covered by a 1 year warranty of good operation, subject to compliance with the warranty terms. The spare parts or tools that are replaced remain in the possession of our company. Requirements, other than those mentioned in this warranty form, regarding repairing a generator or damage thereof, do not apply. Greek law and relative regulations apply to this warranty.

FR

Les générateurs ont été fabriqués selon des normes strictes, établies par notre société et se sont alignées sur les normes de qualité européennes respectives. Les générateurs sont fournis avec une période de garantie de 24 mois pour une utilisation non professionnelle et 12 mois pour une utilisation professionnelle. La garantie est valable à partir de la date d'achat du produit. La preuve du droit à la garantie est le document d'achat du générateur (ticket de caisse ou facture). En aucun cas, la société ne couvrira le coût des pièces de rechange et des heures de travail nécessaires si une copie du document d'achat n'est pas présentée. Si la réparation doit être effectuée par notre service après-vente, les frais de transport (aller et retour) sont entièrement à la charge de l'expéditeur (client). Les générateurs doivent être envoyés pour réparation à l'entreprise ou à un atelier agréé de la manière et avec le moyen de transport appropriés.

EXEMPTIONS ET RESTRICTIONS DE GARANTIE :

- 1) Les pièces de rechange qui s'usent naturellement suite à l'utilisation (roues, poignées, bougies d'allumage, etc.).
- 2) Générateurs endommagés à la suite du non-respect des instructions du fabricant.
- 3) Générateurs mal entretenus.
- 4) Dommages résultant du dépassement de la charge maximale ou de la durée maximale de fonctionnement continu selon les spécifications de chaque type de générateur, telles que présentées dans le manuel d'instructions.
- 5) Générateurs donnés à des tiers à titre gratuit.
- 6) Stockage du générateur pendant une longue période avec du carburant.
- 7) Dommages résultant d'un montage erroné ou d'un mauvais entretien.
- 8) Dommages résultant d'un mélange erroné de carburant et d'huile.
- 9) Dommages dus à la mauvaise qualité du carburant ou du lubrifiant.
- 10) Dommages résultant d'un nettoyage insuffisant du générateur.
- 11) Générateurs qui ont été modifiés ou démontés par du personnel non autorisé.
- 12) Générateurs utilisés pour la location.

La garantie couvre uniquement le remplacement gratuit du composant qui présente un défaut de fabrication ou une défaillance matérielle. En cas d'absence d'une pièce de rechange spécifique, la société se réserve le droit de remplacer le générateur par un autre du même type. Après la conclusion de toutes les procédures de garantie, la période de garantie d'un générateur ne sera pas prolongée ou renouvelée. Le remplacement d'une pièce de rechange, ainsi que les frais de réparation, sont couverts par une garantie de bon fonctionnement d'un an, sous réserve du respect des conditions de garantie. Les pièces de rechange ou les outils qui sont remplacés restent en possession de notre société. Les exigences, autres que celles mentionnées dans ce formulaire de garantie, concernant la réparation d'un générateur ou de ses dommages, ne sont pas applicables. La loi grecque et ses règlements s'appliquent à cette garantie.

IT

I generatori sono stati fabbricati secondo gli standard rigorosi, stabiliti dalla nostra azienda, che sono allineati con i rispettivi standard di qualità europei. I generatori sono forniti con un periodo di garanzia di 24 mesi per uso non professionale e 12 mesi per uso professionale. La garanzia è valida dalla data di acquisto del prodotto. La prova del diritto di garanzia è il documento di acquisto del generatore (scontrino o fattura). In nessun caso la società coprirà il relativo costo dei pezzi di ricambio e delle rispettive ore di lavoro necessarie se non viene presentata una copia del documento di acquisto. Nel caso in cui la riparazione debba essere effettuata dal nostro servizio di assistenza, il costo del trasporto (da e per) è interamente a carico del mittente (cliente). I generatori devono essere inviati per la riparazione all'azienda o ad un'officina autorizzata nel modo e nel mezzo di trasporto appropriato.

ESENZIONI E RESTRIZIONI DELLA GARANZIA:

- 1) Pezzi di ricambio che si usurano naturalmente come conseguenza dell'uso (ruote, maniglie, candele ecc.).
- 2) Generatori danneggiati a causa del mancato rispetto delle istruzioni del produttore.
- 3) Generatori sottoposti a scarsa manutenzione.
- 4) Danni causati dal superamento del carico massimo o della durata massima di funzionamento continuo secondo le specifiche di ogni tipo di generatore, come presentato nel manuale di istruzioni.
- 5) Generatori ceduti a terzi a titolo gratuito.
- 6) Conservazione del generatore per un lungo periodo con il carburante.
- 7) Danni causati da un montaggio errato o da una cattiva manutenzione.
- 8) Danni causati da un'errata miscelazione del carburante con l'olio.
- 9) Danni causati dalla cattiva qualità del carburante o del lubrificante.
- 10) Danni causati dalla mancata pulizia del generatore come richiesto.
- 11) Generatori che sono stati modificati o smontati da personale non autorizzato.
- 12) Generatori usati per il noleggio.

La garanzia copre solo la sostituzione gratuita del componente che presenta un difetto di fabbricazione o di materiale. In caso di mancanza di un pezzo di ricambio specifico l'azienda si riserva il diritto di sostituire l'utensile pneumatico con un altro dello stesso tipo. Una volta concluse tutte le procedure di garanzia, il periodo di garanzia della macchina non potrà essere esteso o rinnovato. La sostituzione di un pezzo di ricambio, insieme al costo della riparazione, è coperta da una garanzia di buon funzionamento di 1 anno, a condizione che vengano rispettati i termini della garanzia. I pezzi di ricambio o gli utensili che vengono sostituiti rimangono in possesso della nostra azienda. I requisiti, diversi da quelli menzionati in questo modulo di garanzia, riguardanti la riparazione di un utensile o il suo danneggiamento, non sono applicabili. La legge greca e i relativi regolamenti si applicano a questa garanzia.

AL

Gjeneratorët janë prodhuar sipas standardeve strikte, të vendosura nga kompania jonë, të cilat janë në përputhje me standardet përkatëse evropiane të cilësisë. Gjeneratorët janë siguruar me një periudhë garancie prej 24 muajsh për përdorim jo-profesional dhe 12 muaj për përdorim profesional. Garancia është e vlefshme nga data e blerjes së produktit. Prova e të drejtës së garancisë është dokumenti i blerjes së gjeneratorit (faturë ose fakturë me pakicë). Në asnjë rrethanë ndërmarrja nuk mbulon koston përkatëse të pjesëve të këmbimit dhe orarin përkatës të kërkuar të punës, përveç kur është paraqitur një kopje e dokumentit të blerjes. Në rast se riparimi duhet të bëhet nga departamenti ynë i shërbimit kostoja e transportit (për dhe nga) është tërësisht e mbajtur nga dërguesi (klienti). Gjeneratorët duhet të dërgohen për riparim në ndërmarrje ose në një punishtë të autorizuar në mënyrën dhe mjetet e duhura të transportit.

PËRJASHTIMET DHE KUFIZIMET E GARANCISË:

- 1) Pjesët rezervë që përdoren në mënyrë natyrale si pasojë e përdorur (rrota, doreza, prizat e ndezura etj.).
- 2) Gjeneratorët e dëmtuar si rezultat i mosrespektimit të udhëzimeve të prodhuesit.
- 3) Gjeneratorët nuk mirëmbahet.
- 4) Dëmtimet si rezultat i tejkallimit të ngarkesës maksimale ose kohëzgjatjes maksimale të funksionimit të vazhdueshëm sipas specifikimeve të çdo lloji gjeneratori, siç paraqitet në manualin e udhëzimeve.
- 5) Gjeneratorët që u jepen enteve të treta pa pagesë.
- 6) Ruajtja e gjeneratorit për një kohë të gjatë me karburant.
- 7) Dëmtimi si rezultat i montimit të gabuar ose mirëmbajtjes së keqe.
- 8) Dëmtimi si pasojë e përzierjes së gabuar të karburantit me naftë.
- 9) Dëmtimi si rezultat i cilësisë së dobët të karburantit ose lubrifikantit.
- 10) Dëmtimi si pasojë e mospastrimit të gjeneratorit sipas nevojës.
- 11) Gjeneratorët që janë modifikuar ose çmontuar nga personeli i paautorizuar.
- 12) Gjeneratorët përdoren për qira.

Garancia mbulon vetëm zëvendësimin pa pagesë të komponentit që paraqet një defekt prodhues ose dështim material. Në rast të mungesës së një pjese rezervë specifike kompania rezervon të drejtën për të zëvendësuar gjeneratorin me një tjetër të të njëjtit lloj. Pasi të jenë përfunduar të gjitha procedurat e garancisë, periudha e garancisë së një gjeneratori nuk do të zgjatet ose të rinovohet. Zëvendësimi i një pjese rezervë, së bashku me ngarkesën e riparimit, mbulohet nga një garanci veprimi e mirë 1 vit, subjekt i përputhjes me kushtet e garancisë. Pjesët e këmbimit ose mjetet që zëvendësohen mbeten në zotërim të kompanisë sonë. Kërkesat, përveç atyre të përmendura në këtë formë garancie, në lidhje me riparimin e një gjeneratori ose dëmtimi të tij, nuk zbatohen. Ligji grek dhe rregullat relative zbatohen për këtë garancia.

SRB

Generatori se proizvode prema strogim standardima koje je postavila naša kompanija a koji su usklađeni sa odgovarajućim evropskim standardima kvaliteta. Za generatore je obezbeđen garantni rok od 24 meseca za neprofesionalnu upotrebu i 12 meseca za profesionalnu upotrebu. Garancija važi od dana kupovine proizvoda. Dokaz za pravo na garanciju je dokument o kupovini alata (maloprodajni račun ili faktura). Ni pod kojim okolnostima preduzeće neće pokriti relevantne troškove rezervnih delova i potrebno odgovarajuće radno vreme ako se ne predoči kopija dokumenta o kupovini. U slučaju da popravku treba da uradi naš servis, troškove transporta (do i od) u potpunosti snosi pošiljalac (klijent). Generatori za popravku se šalju u firmu gde su kupljeni ili u ovlašćeni servis i to tako da budu prikladno upakovani za transport.

IZUZECI I OGRANIČENJA GARANCIJE:

- 1) Komponente koje se normalno troše od svoje upotrebe (točkovi, ručke, svećice, itd).
- 2) Generatori koji su oštećeni nepoštovanjem uputstva proizvođača.
- 3) Generatori koji su neadekvatno održavani.
- 4) Oštećenja od prekoračenja maksimalnog opterećenja ili maksimalnog trajanja neprekidnog rada na osnovu specifikacija svakog modela, kako je navedeno u uputstvu za korišćenje.
- 5) Generatori su dati trećim licima bez naknade.
- 6) Skladištenje mašine sa gorivom na duže vreme.
- 7) Oštećenja koja su rezultat nepravilne montaže ili loše instalacije.
- 8) Oštećenja koja nastaju usled nepravilnog mešanja goriva i ulja.
- 9) Oštećenje usled lošeg kvaliteta goriva ili maziva.
- 10) Oštećenja usled nepravilnog čišćenja mašine.
- 11) Generatori koji su pretrpeli modifikacije - izmene ili su otvoreni od neovlašćenog osoblja.
- 12) Generatori koji se koriste za iznajmljivanje

Garancija pokriva samo besplatnu zamenu komponente koja ima fabričku grešku ili materijalne nedostatke. U slučaju nedostatka određenog rezervnog dela, kompanija zadržava pravo da zameni generator drugim iste vrste. Nakon što su svi garantni postupci završeni, garantni rok mašine se ne može produžavati ili obnavljati. Rezervni delovi ili generatori koji su zamenjeni ostaju u posedu naše kompanije. Zamena rezervnog dela, zajedno sa naplatom popravke, pokrivena je garancijom za 1 godinu dobrog rada, koja podleže poštovanju uslova garancije. Zahtevi, osim onih navedenih u ovom obrascu garancije, u vezi sa popravkom generatora ili njegovim oštećenjem ne važe. Na ovu garanciju se primenjuju grčki zakoni i odgovarajući propisi.

EN

WARRANTY

This appliance is a quality product. It was designed in compliance with current technical standards and made carefully using normal, good quality materials. The warranty period is 24 months for non-professional use and 12 months for professional use and commences on the date of purchase, which can be verified by the receipt, invoice or delivery note. During this warranty period all functional errors, which, despite the careful treatment described in our operating manual, are verifiably due to material flaws, will be rectified by our after-sales service staff. The warranty takes the form that defective parts will be repaired or replaced with perfect parts free of charge at our discretion. Replaced parts will become our property. Repair work or the replacement of individual parts will not extend the warranty period nor will it result in a new warranty period being commenced for the appliance. No separate warranty period will commence for spare parts that may be used. We cannot offer a warranty for damage and defects on appliances or their parts caused by the use of excessive force, improper treatment and servicing. This also applies for failures to comply with the operating manual and the installation or spare and accessory parts that are not included in our range of products. In the event of interference with or modifications to the appliance by unauthorized persons, the warranty will be rendered void. Damages that are attributable to improper handling, over loading, or natural wear and tear are excluded from the guarantee. Damages caused by the manufacturer or by a material defect will be corrected at no charge by repair or by providing spare parts. The prerequisite is that the equipment is handed over assembled, and complete with the proof of sale and guarantee. For a guarantee claim, only use the original packaging. That way, we can guarantee quick and smooth guarantee processing. Please send us the appliances post-paid or request a Freeway sticker. Unfortunately we will be unable to accept appliances that are not postpaid. The warranty does not cover parts that are subject to natural wear and tear. If you wish to make a warranty claim, report faults or order spare parts or accessories, please contact the after-sales center: Subject to change without prior notice.

DE

GARANTIE

Dieses Gerät ist ein Qualitätsprodukt. Es wurde gemäß den aktuellen technischen Standards entworfen und sorgfältig mit normalen, hochwertigen Materialien hergestellt. Die Garantiezeit beträgt 24 Monate bei nicht-professioneller Nutzung und 12 Monate bei professioneller Nutzung und beginnt mit dem Kaufdatum, was anhand von Quittung, Rechnung oder Lieferschein überprüft werden kann. Während dieser Garantiezeit werden alle Funktionsfehler, die trotz der in unserer Bedienungsanleitung beschriebenen sorgfältigen Behandlung nachweislich auf Materialfehler zurückzuführen sind, von unseren Kundendienstmitarbeitern behoben. Die Garantie besteht in der Form, dass defekte Teile nach unserem Ermessen kostenlos repariert oder durch einwandfreie Teile ersetzt werden. Ersetzte Teile werden unser Eigentum. Reparaturarbeiten oder der Austausch einzelner Teile verlängern die Garantiezeit nicht und führen nicht zu einer neuen Garantiezeit für das Gerät. Für eventuell verbrauchte Ersatzteile beginnt keine gesonderte Gewährleistungsfrist. Wir können keine Garantie für Schäden und Mängel an Geräten oder deren Teilen geben, die durch übermäßige Gewaltanwendung, unsachgemäße Behandlung und Wartung verursacht wurden. Dies gilt auch für die Nichtbeachtung der Bedienungsanleitung und der Montage- oder Ersatz- und Zubehörteile, die nicht in unserem Sortiment enthalten sind. Bei Eingriffen in die Änderung durch unbefugte Personen am Gerät erlischt die Garantie. Schäden, die auf unsachgemäße Behandlung, Überlastung oder natürliche Abnutzung zurückzuführen sind, sind von der Garantie ausgeschlossen. Schäden, die vom Hersteller oder durch einen Materialfehler verursacht werden, werden durch Reparatur oder Ersatzteillieferung kostenlos behoben. Voraussetzung ist, dass das Gerät zusammen mit dem Verkaufsbeleg und der Garantie zusammengebaut übergeben wird. Verwenden Sie für einen Garantieanspruch nur die Originalverpackung. Auf diese Weise können wir eine schnelle und reibungslose Garantieabwicklung gewährleisten. Bitte schicken Sie uns die Geräte im Nachhinein oder fordern Sie einen Freeway-Aufkleber an. Geräte, die nicht nachbezahlt werden, können wir leider nicht akzeptieren. Die Garantie erstreckt sich nicht auf Teile, die einem natürlichen Verschleiß unterliegen. Wenn Sie einen Garantieanspruch geltend machen, Fehler melden oder Ersatzteile oder Zubehör bestellen möchten, wenden Sie sich bitte an das After-Sales-Center: Betreff ohne vorherige Ankündigung zu ändern.

FR

GARANTIE

Cet appareil est un produit de qualité. Il a été conçu conformément aux normes techniques en vigueur et fabriqué avec soin à l'aide de matériaux usuels et de qualité. La période de garantie est de 24 mois pour une utilisation non professionnelle et 12 mois pour une utilisation professionnelle et débute à la date d'achat. Elle peut être vérifiée sur le reçu, la facture ou le bon de livraison. Pendant cette période de garantie, toutes les erreurs de fonctionnement qui, malgré le traitement minutieux décrit dans notre manuel d'utilisation, sont dues à des défauts matériels, seront corrigées par notre service après-vente. La garantie prend la forme que les pièces défectueuses seront réparées ou remplacées par des pièces parfaites gratuitement à notre discrétion. Les pièces remplacées deviendront notre propriété. Les travaux de réparation ou le remplacement de pièces individuelles ne prolongeront pas la période de garantie et n'entraîneront pas le début d'une nouvelle période de garantie pour l'appareil. Aucune période de garantie séparée ne commencera pour les pièces de rechange susceptibles d'être utilisées. Nous ne pouvons pas offrir de garantie pour les dommages et les défauts des appareils ou de leurs pièces causés par l'utilisation d'une force excessive, un traitement ou un entretien inapproprié. Ceci s'applique également aux cas de non-respect du manuel d'utilisation et de l'installation ou des pièces détachées et accessoires non compris dans notre gamme de produits. En cas d'interférence avec des modifications apportées à l'appareil par des personnes non autorisées, la garantie sera annulée. Les dommages résultant d'une mauvaise manipulation, d'un chargement excessif ou d'une usure naturelle sont exclus de la garantie. Les dommages causés par le fabricant ou par un défaut matériel seront corrigés gratuitement par la réparation ou par la fourniture de pièces de rechange. La condition préalable est que le matériel soit remis assemblé et accompagné de la preuve de vente et de la garantie. Pour une demande de garantie, utilisez uniquement l'emballage d'origine. De cette manière, nous pouvons garantir un traitement rapide et sans heurts des garanties. S'il vous plaît envoyez-nous les appareils post-payés ou demandez un autocollant Freeway. Malheureusement, nous ne pourrions pas accepter les appareils non post-payés. La garantie ne couvre pas les pièces soumises à une usure naturelle. Si vous souhaitez faire une demande de garantie, signaler un défaut ou commander des pièces de rechange ou des accessoires, veuillez contacter le service après-vente : Sujet à modification sans préavis.

ESP

GARANTÍA

Este aparato es un producto de calidad. Fue diseñado de acuerdo con las normas técnicas actuales y se hizo con cuidado utilizando materiales normales y de buena calidad. El período de garantía es de 24 meses para uso no profesional y de 12 meses para uso profesional y comienza en la fecha de compra, que puede verificarse mediante el recibo, la factura o la nota de entrega. Durante este período de garantía, todos los errores funcionales que, a pesar del tratamiento cuidadoso que se describen en nuestro manual de operación, son verificables debido a fallas materiales, serán corregidos por nuestro personal de servicio postventa. La garantía adquiere la forma de que las piezas defectuosas se repararán o reemplazarán con piezas perfectas de forma gratuita a nuestra discreción. Las partes reemplazadas se convertirán en nuestra propiedad. Los trabajos de reparación o el reemplazo de piezas individuales no ampliarán el período de garantía, no dará lugar a que se comience un nuevo período de garantía para el aparato. No se iniciará ningún período de garantía por separado para las piezas de repuesto que puedan ser utilizadas. No podemos ofrecer una garantía por daños y defectos en los aparatos o sus partes causados por el uso excesivo de la fuerza, el tratamiento y el servicio incorrectos. Esto también se aplica a las fallas en el cumplimiento del manual de operación y la instalación o piezas de repuesto y accesorios que no están incluidos en nuestra gama de productos. En caso de interferencia con modificaciones al aparato por parte de personas no autorizadas, la garantía quedará anulada. Los daños que son atribuibles a un manejo inadecuado, sobrecarga o desgaste natural están excluidos de la garantía. Los daños causados por el fabricante o por un defecto de material se corregirán sin costo alguno por reparación o proporcionando piezas de repuesto. El requisito previo es que el equipo se entregue ensamblado y se complete con el comprobante de venta y garantía. Para una reclamación de garantía, utilice únicamente el embalaje original. De esta manera, podemos garantizar un rápido y suave procesamiento de garantías. Por favor, envíenos los electrodomésticos con pospago o solicite una etiqueta de Freeway. Lamentablemente, no podremos aceptar aparatos que no sean de pospago. La garantía no cubre las piezas que están sujetas a desgaste natural. Si desea realizar un reclamo de garantía, informar fallas o solicitar piezas de repuesto o accesorios, comuníquese con el centro de postventa: Sujeto a cambios sin previo aviso.

IT

GARANZIA

Questo apparecchio è un prodotto di qualità. È stato progettato in conformità con le attuali norme tecniche e realizzato con attenzione utilizzando materiali normali di buona qualità. Il periodo di garanzia è di 24 mesi per uso non professionale e di 12 mesi per uso professionale e decorre dalla data di acquisto, che può essere verificata tramite ricevuta, fattura o bolla di consegna. Durante questo periodo di garanzia tutti gli errori funzionali, che, nonostante l'accurato trattamento descritto nel nostro manuale operativo, sono verificabili a causa di difetti dei materiali, verranno risolti dal nostro personale di assistenza post-vendita. La garanzia assume la forma che le parti difettose saranno riparate o sostituite con parti perfette gratuitamente a nostra discrezione. Le parti sostituite diventeranno di nostra proprietà. I lavori di riparazione o la sostituzione di singole parti non prolungheranno il periodo di garanzia, poiché non si verificherà un nuovo periodo di garanzia per l'apparecchio. Non inizierà alcun periodo di garanzia separato per i pezzi di ricambio che possono essere utilizzati. Non possiamo offrire una garanzia per danni e difetti su apparecchi o loro parti causati dall'uso di forza eccessiva, trattamento e manutenzione inadeguati. Ciò vale anche per il mancato rispetto del manuale operativo e delle parti di installazione o di ricambio e accessori non inclusi nella nostra gamma di prodotti. In caso di interferenza con modifiche all'apparecchio da parte di persone non autorizzate, la garanzia sarà invalidata. Sono esclusi dalla garanzia i danni riconducibili a uso improprio, sovraccarico o usura naturale. I danni causati dal produttore o da un difetto materiale verranno corretti gratuitamente mediante riparazione o fornitura di pezzi di ricambio. Il presupposto è che l'attrezzatura sia consegnata assemblata e completa con la prova di vendita e garanzia. Per una richiesta di garanzia, utilizzare solo la confezione originale. In questo modo, possiamo garantire un'elaborazione della garanzia rapida e agevole. Vi preghiamo di inviarci gli elettrodomestici post-pagamento o richiedere un adesivo Freeway. Purtroppo non saremo in grado di accettare apparecchi che non sono postpagati. La garanzia non copre parti soggette a usura naturale. Se si desidera presentare una richiesta di intervento in garanzia, segnalare guasti o ordinare pezzi di ricambio o accessori, contattare il centro assistenza: Soggetto a modifiche senza preavviso.

SLO

GARANCIJA

Ta aprava je kakovosten izdelek. Zasnovan je bil v skladu z veljavnimi tehničnimi standardi in skrbno izdelan z običajnimi, kakovostnimi materiali. Garancijsko obdobje je 24 mesecev za neprofesionalno uporabo in 12 mesecev za profesionalno uporabo in se začne na dan nakupa, ki ga je mogoče preveriti s potrdilom o prejemu, računom ali dobavnico. V času garancijskega roka bodo vse funkcionalne napake, ki so kljub skrbni obdelavi, opisani v naših navodilih za uporabo, preverljive zaradi materialnih napak, odpravile naše servisno osebje. Garancija prevzame obliko, da bodo okvarjeni deli po lastni presoji brezplačno popravljene ali zamenjane z brezhibnimi deli. Zamenjani deli bodo postali naša last. Popravila ali zamenjava posameznih delov ne podaljšujejo garancijskega roka, dokler ne začne veljati nova garancijska doba za napravo. Za rezervne dele, ki se lahko pojavijo, se ne bo začelo ločeno garancijsko obdobje. Ne moremo ponuditi garancije za poškodbe in napake na napravah ali njihovih delih zaradi uporabe prekomerne sile, nepravilne obdelave in servisiranja. To velja tudi za neupoštevanje navodil za uporabo in namestitve ali rezervnih delov in dodatkov, ki niso vključeni v našo paleto izdelkov. V primeru motenj v napravi s strani nepooblaščenih oseb, se garancija razveljavi. Poškodbe, ki so posledica nepravilnega ravnanja, obremenitve ali naravne obrabe, so izključene iz garancije. Poškodbe, ki jih povzroči proizvajalec ali materialna napaka, se bodo popravile ali popravile z zagotavljanjem rezervnih delov. Predpogoj je, da se oprema preda sestavljena in skupaj z dokazilom o prodaji in garancijo. Za garancijski zahtevek uporabite samo originalno embalažo. Tako lahko zagotovimo hitro in gladko obdelavo garancij. Prosimo, pošljite nam naprave po plačilu ali zahtevajte nalepko za Freeway. Na žalost ne bomo mogli sprejeti naprav, ki niso postpaid. Garancija ne zajema delov, ki so predmet naravne obrabe. Če želite vložiti zahtevek za garancijo, prijaviti napake ali naročiti nadomestne dele ali dodatno opremo, se obrnite na prodajni center: Pridržujemo si pravico do sprememb brez predhodnega obvestila.

MLT

GARANZIJA

Dan l-apparat huwa prodott ta 'kwalità. Kienet imfassla f'konformità mal-istandards tekniċi attwali u saret b'attenzjoni bl-użu ta 'materjali normali u ta' kwalità tajba. Il-perjodu tal-garanzija huwa ta '24 xahar għal użu mhux professjonali u 12-il xahar għall-użu professjonali u jibda fid-data tax-xiri, li jista' jiġi vverifikat bir-riċevuta, fattura jew nota tal-kunsinna. Matul dan il perjodu ta 'garanzija l-iżbalji funzjonali kollha, li, minkejja t-trattament bir-reqq deskritt fil-manwal operattiv tagħna, huma verifikabbli minħabba difetti materjali, se jiġu kkoreġuti mill-istaff tagħna tas-servizz ta' wara l-bejgħ. Il-garanzija tiegħu l-forma li partijiet difettużi se jissewewew jew jiġu sostitwiti bi partijiet perfetti bla ħlas fid-diskreżjoni tagħna. Partijiet mibdula jsiru proprjetà tagħna. Ix-xogħol ta 'tiswija jew is-sostituzzjoni ta' partijiet individwali ma jestendux il-perjodu ta 'garanzija mhux se jirriżulta f'li jibda perjodu ġdid ta' garanzija għall-apparat. Ma jibda l-ebda perjodu ta 'garanzija separat għal spare parts li jistgħu jiġu ted. Ma nistgħux noffru garanzija għal ħsara u difetti fuq l-apparat jew il-partijiet tagħhom ikkawżati mill-użu ta 'forza eċċessiva, trattament mhux xieraq u manutenzjoni. Dan japplika wkoll għal nuqqasijiet ta 'konformità mal-manwal tat-thaddim u l-installazzjoni jew partijiet ta' rikambju u aċċessorji li mhumiex inkluzi fil-firxa ta 'prodotti tagħna. Fil-każ ta 'interferenza ma' modifiki fl-apparat minn persuni mhux awtorizzati, il-garanzija ssir nulla. Ħsarat li huma attribwiti għal immaniġġjar hażin, tagħbija żejda, jew xedd u kedd naturali huma esklużi mill-garanzija. Danni kkawżati mill-manifattur jew minn difett materjali se jiġu kkoreġuti mingħajr ħlas permezz ta 'tiswija jew billi jiġu pprovduti spare parts. Il-pre-rekwiżit huwa li t-tagħmir jiġi mġhoddi immuntat, u komplut bil-prova tal-bejgħ u l-garanzija. Għal talba ta 'garanzija, uża biss l-imballaġġ originali. B'dan il-mod, nistgħu nigarantixxu proċessar ta 'garanzija malajr u bla xkiel. Jekk jogħġbok ibgħatilna l-appliances post-paid jew itlob stiker tal-Freeway. Sfortunatament ma nkunux nistgħu naċċettaw apparat li ma jithallasx wara. Il-garanzija ma tkoprix partijiet li huma soġġetti għal ilbies u kedd naturali. Jekk tixtieq tagħmel talba għall-garanzija, irrapporta ħsarat jew tordna spare parts jew aċċessorji, jekk jogħġbok ikkuntatt ja ċ-ċentru ta 'wara l-bejgħ: Soġġett għal bidla mingħajr avviż minn qabel.

SK

ZÁRUKA

Tento spotřebič je kvalitní výrobek. Bol navrhnutý v súlade s platnými technickými normami a opatrne používal bežné a kvalitné materiály. Záručná doba je 24 mesiacov na neprofesionálne použitie a 12 mesiacov na profesionálne použitie a začína plynúť dátumom nákupu, ktorý je možné overiť potvrdením, faktúrou alebo dodacím listom. Počas tejto záručnej lehoty všetky funkčné chyby, ktoré napriek starostlivej úprave popísanej v našom návode na obsluhu sú overiteľné z dôvodu materiálnych nedostatkov, opravia naši pracovníci popredajného servisu. Záruka má formu, že vadné časti budú opravené alebo nahradené perfektnými dielmi bezplatne podľa nášho uváženia. Nahradené diely sa stanú našimi vlastnosťami. Opravné práce alebo výmena jednotlivých dielov predĺženie záručnej lehoty nevedie k vzniku novej záručnej lehoty pre spotrebič. Za náhradné diely, ktoré môžu byť dodané, sa nezačína samostatná záručná lehota. Nemôžeme ponúknuť záruku na poškodenie a poškodenie spotrebičov alebo ich častí spôsobené nadmernou silou, nesprávnou obsluhou a servisom. Platí to aj pre poruchy v súlade s návodom na obsluhu a inštaláciou alebo náhradnými dielmi a príslušenstvom, ktoré nie sú súčasťou našej ponuky. V prípade zásahu do modifikácie spotrebiča neoprávnenými osobami sa záruka stane neplatnou. Škody, ktoré sú spôsobené nesprávnou manipuláciou, nadmerným zaťažením alebo prirodzeným opotrebovaním, sú z záruky vylúčené. Škody spôsobené výrobcom alebo chybou materiálu budú opravené bezplatne opravou alebo poskytnutím náhradných dielov. Predpokladom je, že zariadenie je odovzdané a kompletné s dokladom o predaji a zárukou. Pokiaľ ide o nárok na záruku, použite iba pôvodný obal. Týmto spôsobom môžeme zaručiť rýchle a plynulé spracovanie záruky. Pošlite nám, prosím, spotrebiče, ktoré ste už zaplatili, alebo požiadajte o nálepku Freeway. Bohužiaľ nebudeme môcť prijať zariadenia, ktoré nie sú vyplatené. Záruka sa nevzťahuje na časti, ktoré sú vystavené prirodzenému opotrebovaniu. Ak chcete požiadať o záruku, oznámiť chyby alebo objednať náhradné diely alebo príslušenstvo, obráťte sa na uvedené stredisko popredajného servisu: Podliehajú zmenám bez predchádzajúceho upozornenia.

BG

ГАРАНЦИЯ

Този уред е качествен продукт. Той е проектиран в съответствие с действащите технически стандарти и е направен внимателно при използване на нормални, качествени материали. Гаранционният срок е 24 месеца за непрофесионално ползване и 12 месеца за професионална употреба и започва да тече от датата на покупката, която може да бъде потвърдена с квитанция, фактура или документ за доставка. По време на този гаранционен период всички функционални грешки, които, въпреки внимателното третиране, описано в нашето ръководство за експлоатация, са проверими поради материални недостатъци, ще бъдат отстранени от нашия сервизен персонал. Гаранцията приема формата, в която дефектните части ще бъдат ремонтирани или заменени с перфектни части безплатно по наше усмотрение. Подменените части ще станат наша собственост. Ремонтните работи или подмяната на отделни части няма да удължат гаранционния срок, без това да доведе до започване на нов гаранционен период за уреда. За резервни части, които могат да бъдат поставени, няма да започне отделен гаранционен срок. Не можем да предложим гаранция за повреди и дефекти на уредите или техните части, причинени от използването на прекомерна сила, неправилно третиране и обслужване. Това важи и за неспазване на ръководството за експлоатация и инсталацията, както и резервни и допълнителни части, които не са включени в нашата гама от продукти. В случай на намеса в модификации на уреда от неупълномощени лица, гаранцията ще бъде премахната. Щети, които се дължат на неправилно боравене, натоварване или естествено износване, са изключени от гаранцията. Щети, причинени от производителя или от дефект на материала, ще бъдат поправени без заплащане чрез ремонт или чрез предоставяне на резервни части. Предпоставка е оборудването да се съгласява и да се допълни с доказателство за продажба и гаранция. За гаранционна претенция използвайте само оригиналната опаковка. По този начин можем да гарантираме бърза и гладка обработка на гаранциите. Моля, изпратете ни уредите след плащане или заявете стикер на Freeway. За съжаление няма да можем да приемаме уреди, които не са с абонамент. Гаранцията не покрива части, които са обект на естествено износване. Ако желаете да направите гаранционна претенция, да съобщите за неизправности или да поръчате резервни части или аксесоари, моля свържете се с центъра за поддръжка: Подлежи на промяна без предизвестие.

RO

GAARANȚIE

Acest aparat este un produs de calitate. A fost proiectat în conformitate cu standardele tehnice actuale și a făcut cu atenție materiale normale, de bună calitate. Perioada de garanție este de 24 de luni pentru uz neprofesionist și de 12 luni pentru uz profesional și începe la data cumpărării, care poate fi verificată prin chitanță, factură sau buletin de livrare. În timpul acestei perioade de garanție, toate erorile funcționale, care, în ciuda tratamentului atent descris în manualul nostru de utilizare, sunt verifiabile din cauza defectelor materiale, vor fi reparate de personalul nostru de service post-vânzare. Garanția ia forma faptului că piesele defecte vor fi reparate sau înlocuite cu piese perfecte gratuit, la discreția noastră. Piesele înlocuite vor deveni proprietatea noastră. Lucrările de reparații sau înlocuirea pieselor individuale nu vor prelunge perioada de garanție, deoarece nu vor duce la începerea unei noi perioade de garanție pentru aparat. Nu se va începe nici o perioadă de garanție separată pentru piesele de schimb care pot fi incluse. Nu putem oferi o garanție pentru defecțiunile și defectele aparatelor sau ale pieselor acestora cauzate de utilizarea forței excesive, tratarea necorespunzătoare și întreținerea. Acest lucru se aplică și în caz de nerespectare a manualului de utilizare și a pieselor de instalare sau de rezervă și accesorii care nu sunt incluse în gama noastră de produse. În caz de interferență cu mod-uri care nu sunt incluse în manualul de utilizare, persoane neautorizate, garanția va fi anulată. Daunele care pot fi atribuite manipulării necorespunzătoare, supraîncălzirii sau uzurii naturale sunt excluse din garanție. Deteriorările cauzate de producător sau de un defect material vor fi reparate gratuit, prin reparații sau prin furnizarea de piese de schimb. Condiția prealabilă este ca echipamentul să fi fost predat în asamblare și să fi fost completat cu dovada vânzării și a garanției. Pentru o cerere de garanție, trebuie să păstrați ambalajul original. În acest fel, putem garanta procesarea rapidă și fără probleme a garanției. Trimiteți-ne aparatele post-pachet sau solicitați un autocolant Freeway. Din păcate, nu vom putea accepta dispozitive care nu sunt postpaid. Garanția nu acoperă piese care sunt supuse uzurii naturale. Dacă doriți să solicitați o garanție, să semnalați defecțiuni sau să comandați piese de schimb sau accesorii, vă rugăm să contactați centrul de asistență tehnică: Pot fi modificate fără a fi înlocuite.

NMK

ГАРАНЦИЈА

Овој уред е квалитетен производ. Дизајниран е во согласност со тековните технички стандарти и направен е внимателно со употреба на нормални, квалитетни материјали. Гарантниот период е 24 месеци за непрофесионална употреба и 12 месеци за професионална употреба и започнува на датумот на купување, што може да се потврди со потврда, фактура или испратница. За време на овој гарантен период, сите функционални грешки, кои, и покрај внимателниот третман опишан во нашето упатство за работа, се проверливи поради материјални недостатоци, ќе бидат поправени од нашиот персонал по продажбата. Гаранцијата има форма дека неисправните делови ќе бидат поправени или заменети со совршени делови бесплатно по наша дискреција. Заменетите делови ќе станат наша сопственост. Работата за поправка или замената на поединечни делови нема да го продолжи гарантниот период и нема да резултира со започнување на нов гарантен период за апаратот. Нема да започне посебен гарантен период за резервните делови што може да се тераат. Не можеме да понудиме гаранција за оштетувања и дефекти на апаратите или нивните делови предизвикани од употреба на прекумерна сила, несоодветен третман и сервисирање. Ова исто така важи и за неусогласеност со упатството за работа и инсталацијата или резервните и дополнителните делови кои не се вклучени во нашата палета на производи. Во случај на мешање на модификации на апаратот од страна на неовластени лица, гаранцијата ќе се поништи. Штетите што се припишуваат на неправилно ракување, прекумерно оптоварување или природно абеење се исклучени од гаранцијата. Штетите предизвикани од производителот или од материјален дефект ќе се коригираат бесплатно со поправка или со обезбедување резервни делови. Предуслов е опремата да биде предадена склопена, и комплетна со доказ за продажба и гаранција. За гаранција, користете го само оригиналното пакување. На тој начин, можеме да гарантираме брза и непречена обработка на гаранциите. Ве молиме испратете ни ги апаратите пост-пејд или побарајте налепница за автопат. За жал, нема да можеме да прифатиме апарати што не се пост-пејд. Гаранцијата не опфаќа делови кои се предмет на природно абеење и кинење. Доколку сакате да поднесете барање за гаранција, да пријавите дефекти или да нарачате резервни делови или додатоци, ве молиме контактирајте го постпродажниот центар: Може да се промени без претходна најава.

HUN

GARANCIÁ

Ez a készülék minőségi termék. Úgy tervezték, hogy megfeleljen a jelenlegi műszaki szabványoknak, és gondosan, normál, jó minőségű anyagokkal készült. A jótállási idő nem professzionális használat esetén 24 hónap, szakmai használat esetén 12 hónap, és a vásárlás napján kezdődik, amelyet a kézhezvétel, a számla vagy a kézbesítési értesítés igazolhat. A garanciaidő alatt minden olyan funkcionális hiba, amely az üzemeltetési utasításunkban leírt gondos kezelés ellenére bizonyíthatóan az anyagi hibák miatt következik be, a vevőszolgálatunk javítja. A garancia olyan formája, hogy a hibás alkatrészek javítása vagy cseréje a tökéletes alkatrészekkel ingyenes. A cserélt részek tulajdonunk lesz. A javítási munkák vagy az egyes részek cseréje nem hosszabbítja meg a jótállási időszakot, és nem eredményez új garanciaidő megkezdését a készülék számára. Nincs külön garanciaidő a pótalkatrészek esetén. Nem nyújtunk garanciát a készülékek vagy alkatrészeik károsodására és hibáira a túlzott erő, a helytelen kezelés és a karbantartás miatt. Ez vonatkozik az üzemeltetési utasítás és a telepítés, illetve a tartálék és tartozék alkatrészeinek meg nem felelésére is, amelyek nem tartoznak a termékínálatunkba. Abban az esetben, ha a készülék jogosulatlan személy általi módosításai zavarnak, a garancia érvényét veszti. A nem megfelelő kezelés, a terhelés vagy a természetes kopás okozta károk nem tartoznak a garancia hatálya alá. A gyártó vagy az anyaghiba által okozott károkat a javítás vagy a pótalkatrészek beszerzése nélkül kijavítják. Az előfeltétel az, hogy a berendezést összeszerelték, és az értékesítés és a garancia igazolásával kiegészüljön. A garancia igényléséhez csak az eredeti csomagolást használja. Így garantálhatjuk a gyors és zökkenőmentes garanciafeldolgozást. Kérjük, küldje el nekünk a készüléket utólag fizetett vagy kérjen Freeway matricát. Sajnos nem tudjuk elfogadni a nem utólag fizetett készülékeket. A garancia nem terjed ki a természetes kopásnak kitett alkatrészekre. Ha garanciális igényt kíván nyújtani, hibákat jelenteni vagy pótalkatrészeket vagy tartozékokat rendelni, kérjük, vegye fel a kapcsolatot az alábbi értékesítési központtal: Előzetes értesítés nélkül változhat.

POL

GWARANCJA

To urządzenie jest produktem wysokiej jakości. Został zaprojektowany zgodnie z aktualnymi standardami technicznymi i wykonany starannie przy użyciu zwykłych, dobrej jakości materiałów. Okres gwarancji wynosi 24 miesiące w przypadku użytku nieprofesjonalnego i 12 miesięcy w przypadku użytku profesjonalnego i rozpoczyna się w dniu zakupu, który można zweryfikować za pomocą paragonu, faktury lub dowodu dostawy. W okresie gwarancji wszystkie błędy funkcjonalne, które pomimo starannego traktowania opisanego w naszej instrukcji obsługi, są weryfikowalne przez wady materiałowe, zostaną naprawione przez nasz personel obsługi posprzedażnej. Gwarancja ma formę, w której wadliwe części zostaną naprawione lub wymienione na części zamiennie bezpłatnie według naszego uznania. Wymienione części staną się naszą własnością. Naprawa lub wymiana pojedynczych części nie przedłuży okresu gwarancji, nie spowoduje to rozpoczęcia nowego okresu gwarancyjnego dla urządzenia. Nie rozpocznie się oddzielny okres gwarancji na części zamiennie, które mogą być używane. Nie możemy zaoferować gwarancji na uszkodzenia i usterki urządzeń lub ich części spowodowane użyciem nadmiernej siły, niewłaściwego traktowania i serwisowania. Dotyczy to również nieprzestrzegania instrukcji obsługi i instalacji lub części zamiennych i akcesoriów, które nie są zawarte w naszej ofercie produktów. W przypadku ingerencji w modyfikacje urządzenia przez osoby nieuprawnione, gwarancja zostanie unieważniona. Szkody, które można przypisać niewłaściwej obsłudze, nadmiernemu obciążeniu lub naturalnemu zużyciu, są wyłączone z gwarancji. Uszkodzenia spowodowane przez producenta lub wadę materiałową zostaną naprawione bezpłatnie przez naprawę lub przez dostarczenie części zamiennych. Warunkiem wstępnym jest przekazanie sprzętu w komplecie wraz z dowodem sprzedaży i gwarancją. W przypadku reklamacji należy używać tylko oryginalnego opakowania. W ten sposób możemy zagwarantować szybkie i płynne przetwarzanie gwarancji. Prześlij nam urządzenia post-paid lub zamów naklejkę na autostradę. Niestety nie będziemy mogli akceptować urządzeń, które nie są opłacane z dołu. Gwarancja nie obejmuje części ulegających naturalnemu zużyciu. Jeśli chcesz zgłosić roszczenie gwarancyjne, zgłoś usterki lub zamówić części zamiennie lub akcesoria, skontaktuj się z następującym centrum: Zastrzega się możliwość zmian bez uprzedzenia.

ALB

GARANCIA

Kjo pajisje është një produkt cilësor. Washtë hartuar në përputhje me standardet aktuale teknike dhe është bërë me kujdes duke përdorur materiale normale, me cilësi të mirë. Periudha e garancisë është 24 muaj për përdorim jo profesional dhe 12 muaj për përdorim profesional dhe fillon në datën e blerjes, e cila mund të vërtetohet me faturën, faturën ose dorëzimin. Gjatë kësaj periudhe garancie, të gjitha gabimet funksionale, të cilat, përkundër trajtimit të kujdesshëm të përkthuesit në manualin tonë të funksionimit, janë verifikueshëm për shkak të metave të materialit, do të korrigjohen nga stafi ynë i shërbimit pas shitjes. Garancia merr formën që pjesët e dëmtuara do të riparohen ose zëvendësohen me pjesët e përsosura falas, sipas gjykimit tonë. Pjesët e zëvendësuara do të bëhen pronë jonë. Puna e riparimit ose zëvendësimit i pjesëve individuale nuk do të zgjasë periudhën e garancisë, por nuk do të rezultojë në fillimin e një periudhe të re garancie për pajisjen. Asnjë periudhë e veçantë e garancisë nuk do të fillojë për pjesët rezervë që mund të merren. Ne nuk mund të ofrojmë një garanci për dëmtimin dhe defektet e pajisjeve ose pjesëve të tyre të shkaktuara nga përdorimi i forcës së tepërt, trajtimit dhe shërbimit i pahijshëm. Kjo gjithashtu vlen për dështimet në përputhje me manualin e funksionimit dhe instalimin ose pjesët rezervë dhe aksesorë që nuk përfshihen në gamën tonë të produkteve. Në rast ndërhyrjeje në modifikimet e pajisjes nga persona të paautorizuar, garancia do të hiqet. Dëmet që mund t'i atribuohen trajtimit të pahijshëm, ngarkimit të tepërt, ose konsumit natyror, përjashtohen nga garancia. Dëmet e shkaktuara nga prodhuesi ose nga një defekt i materialit do të korrigjohen pa pagesë me riparim ose duke siguruar pjesë këmbimi. Parakushti është që pajisjet të dorëzohen të montuara, dhe të kompletuara me provën e shitjes dhe garancisë. Për një kërkesë garancie, përdorni vetëm paketimin origjinal. Në atë mënyrë, ne mund të garantojmë përpunim të shpejtë dhe të qetë të garancisë. Ju lutemi na dërgoni pajisjet me postë të paguar ose kërkoni një afishe autostradë. Për fat të keq, ne nuk do të jemi në gjendje të pranohim pajisje që nuk janë me kontratë. Garancia nuk përfshin pjesë që i nënshtrohen konsumit natyror. Nëse dëshironi të bëni një kërkesë për garanci, të raportoni gabime ose të porosisni pjesë rezervë ose pajisje, ju lutemi kontaktoni qendrën pas shitjes. Subjekti për të ndryshuar pa njoim paraprak.

HR

JAMSTVO

Ovaj je uređaj kvalitetan proizvod. Dizajniran je u skladu s trenutnim tehničkim standardima i izrađen je pažljivo koristeći normalne, kvalitetne materijale. Garancijsko razdoblje je 24 mjeseca za neprofesionalnu upotrebu i 12 mjeseci za profesionalnu uporabu i započinje datumom kupnje, što se može potvrditi potvrdom primitka, računa ili dostavnice. Tijekom ovog jamstvenog razdoblja sve će funkcionalne pogreške, koje su unatoč pažljivom postupanju opisanom u našem priručniku za upotrebu provjerljivo zbog materijalnih nedostataka, otkloni od strane našeg servisnog osoblja. Jamstvo ima oblik da će se oštećeni dijelovi besplatno popraviti ili zamijeniti savršеним dijelovima, po našem nahođenju. Zamijenjeni dijelovi postat će naše vlasništvo. Popravak ili zamjena pojedinih dijelova neće produžiti jamstveno razdoblje, jer neće rezultirati novim jamstvenim rokom za uređaj. Neće započeti zasebni jamstveni rok za rezervne dijelove koji se mogu trošiti. Ne možemo pružiti jamstvo za oštećenja i oštećenja uređaja ili njihovih dijelova uzrokovanih prekomjernom silom, nepravilnim postupanjem i servisiranjem. To se također odnosi i na neusklađivanje s uputama za uporabu i instalacijskim ili rezervnim i pomoćnim dijelovima koji nisu uključeni u naš asortiman proizvoda. U slučaju ometanja neovlaštenih osoba na izmjenama uređaja, jamstvo će se poništiti. Oštećenja koja se mogu pripisati nepravilnom rukovanju, preopterećenju ili prirodnom habanju isključena su iz jamstva. Štete uzrokovane proizvođačem ili oštećenjem materijala ispravit će se besplatnim popravkom ili osiguravanjem rezervnih dijelova. Predviđet je da se oprema preda u sastavu, zajedno s dokazom o prodaji i garancijom. Za garancijski zahtjev koristite samo originalno pakiranje. Na taj način možemo jamčiti brzu i glatku obradu jamstava. Pošaljite nam uređaje naknadno ili zatražite naljepnicu autoputa. Nažalost, nećemo biti u mogućnosti prihvatiti uređaje koji nisu pretplaćeni. Jamstvo ne obuhvaća dijelove koji su podložni prirodnom habanju. Ako želite podnijeti zahtjev za jamstvom, prijavite kvarove ili naručite rezervne dijelove ili pribor, molimo kontakt prodajni centar: Podložno promjenama bez prethodne najave.

SRB

ГAРАНЦИЈА

Ovaj aparat je kvalitetan proizvod. Dizajniran je u skladu sa trenutnim tehničkim standardima i rađen pažljivo koristeći normalne, kvalitetne materijale. Garantni rok je 24 meseca. Garantni rok je 24 meseca za neprofesionalno korišćenje i 12 meseci za profesionalnu upotrebu i započinje danom kupovine, što se može verifikovati primaњem, fakturom ili otpremnicom. Tokom ovog garantnog perioda, sve funkcionalne greške koje se, uпрокос pažljivom postupanju opisanom u našem uputstvu za upotrebu, verovatno mogu proveriti zbog materijalnih nedostataka, otkloniće od strane нашег сервисног особља. Гаранција добија облик да ће се неисправни делови поправити или заменити савршеним деловима бесплатно по нашем нахођењу. Замењени делови постаће наше власништво. Поправци или замена појединих делова неће продужити гарантни рок јер неће резултирати новим гаранцијским роком за апарат. Неће почети посебан гарантни рок за резервне делове који се могу напунити. Не можемо пружити гаранцију за оштећења и оштећења уређаја или њихових делова насталих прекомерном силом, неправилним третманом и сервисирањем. Ово се такође односи и на непоштовање упутства за употребу и инсталационих или резервних и помоћних делова који нису обухваћени нашим асортиманом производа. У случају ометања модификација уређаја од стране неовлашћених особа, гаранција ће се поништити. Оштећења која се могу приписати неправилном руковању, преоптерећењу или природном хабању су искључена из гаранције. Оштећења настала од стране произвођача или оштећења материјала исправљаће се или поправљањем резервних делова бесплатно. Предуслов је да се опрема преда у саставу, заједно са доказом о продаји и гаранцијом. За захтев о гаранцији користите само оригинално паковање. На тај начин можемо гарантовати брзу и глатку обраду гаранција. Пошаљите нам уређаје накнадно или затражите налепницу са аутопута. Нажалост, нећемо бити у могућности да прихватимо уређаје који нису плаћени. Гаранција не покрива делове који су изложени природном хабању. Ако желите да поднесете захтев за гаранцијом, пријавите грешке или наручите резервне делове или додатну опрему, молимо контактирајте доњи продајни: Подложно променама без претходне најаве.

